



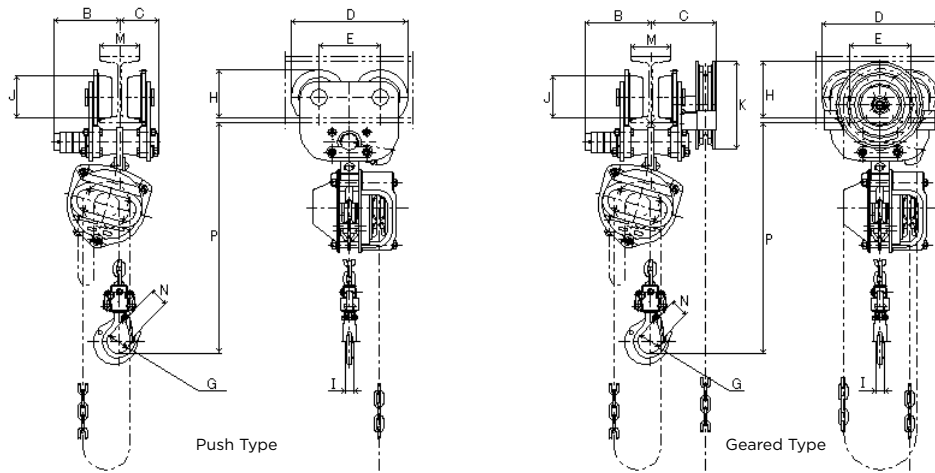
EX SPARK RESISTANT TROLLEY HOIST, PUSH & GEARED

- 0.5t through 20t Capacity
- Hand chain hoists, push & geared trolleys
- II 2 GD c II B T105 °C
- Adheres to the Council Directive and Standards in the EU for explosion proof manual chain hoists.
94/9/EC : ATEX EN1127-1 :2008,
EN13463-1 : 2009, EN13463-5 : 2003

Note:

It is the user's responsibility to properly identify which spark resistant classification is required for their application, not the hoist manufacturer or distributor.





Above schematics are reference only, they are not accurate portrayals for all capacities.
Reference page 13 for complete hoist information.

SPECIFICATIONS - EX SPARK RESISTANT TROLLEY HOIST, PUSH & GEARED

Capacity (mt)	Product Code	Std. Lift (ft)	Beam Width (in)	Min. Beam Radius (ft)	Combined Headroom (in)
0.5	EX-HP(HG)100-0.5	10	2.3 - 5.11	2.95	11.7
1	EX-HP(HG)100-1		2.3 - 5.11	3.61	12.5
1.6	EX-HP(HG)100-1.6		2.7 - 6.1	3.93	14.5
2	EX-HP(HG)100-2		2.7 - 6.1	3.93	15.8
3.1	EX-HP(HG)100-3.1		3.5 - 6.2	5.58	20.5
5	EX-HP(HG)100-5		3.54 - 7.08	7.55	24.8
7.5	EX-HP(HG)100-7.5		4.92 - 7.48	9.84	28.5
10	EX-HP(HG)100-10		4.92 - 7.48	9.84	31.4

DIMENSIONS (IN) - EX SPARK RESISTANT TROLLEY HOIST, PUSH TYPE

Capacity (t)	P	B	C	D	E	G	H	I	J	N
0.5	11.7	3.9	3.9	7.5	3.9	1.4	3.4	0.5	2.7	1.0
1	12.5	3.9	3.8	8.7	4.5	1.6	3.9	0.6	3.1	1.1
1.6	14.5	4.6	4.6	10.1	5.3	1.8	4.6	0.7	3.8	1.3
2	15.8	4.6	4.6	10.1	5.3	2.0	4.6	0.8	3.8	1.4
3.1	20.5	4.6	4.8	11.3	5.9	2.3	5.3	1.0	4.5	1.7
5	24.8	5.5	5.8	12.8	6.6	2.7	6.0	1.3	4.9	2.0
7.5	28.5	6.9	6.9	17.0	8.6	8.6	8.3	1.8	6.2	2.5
10	31.4	6.9	6.9	17.0	8.6	8.6	8.3	1.8	6.2	2.5

DIMENSIONS (IN) - EX SPARK RESISTANT TROLLEY HOIST, GEARED TYPE

Capacity (t)	P	B	C	D	E	G	H	I	J	K	N
0.5	11.7	3.9	5.6	7.5	3.9	1.4	3.7	0.5	2.7	5.3	1.0
1	12.5	3.9	5.8	8.7	4.5	1.6	4.5	0.6	3.1	6.4	1.1
1.6	14.5	4.6	6.3	10.1	5.3	1.8	5.6	0.7	3.8	7.7	1.3
2	15.8	4.6	6.3	10.1	5.3	2.0	5.6	0.8	3.8	7.7	1.4
3.1	20.5	4.6	6.3	11.3	5.9	2.3	5.8	1.0	4.5	7.7	1.7
5	24.8	5.5	7.5	12.8	6.6	2.7	6.4	1.3	4.9	8.3	2.2
7.5	28.5	6.9	12.0	17.0	8.6	3.3	8.9	1.8	6.2	9.8	2.9
10	31.4	6.9	12.1	17.0	8.6	3.3	8.9	1.8	6.2	9.8	2.9

- 1) Dimension B and C are applicable when beam width is max.
- 2) Dimension H is applicable when beam thickness is max.
- 3) For Dimension M, please check the beam width on the specifications.
- 4) Dimension N is applicable when safety latch is opened.
- 5) Contact the factory for wide beam applications

