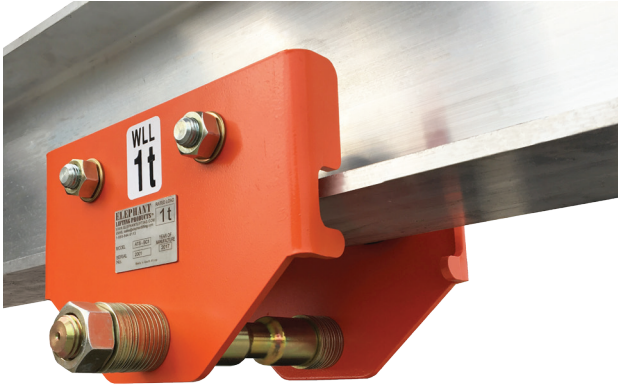




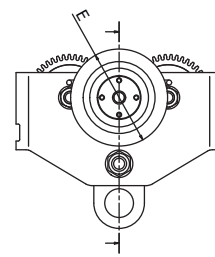
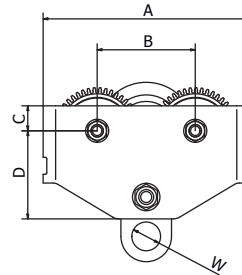
# GRIPPA PUSH & GEARED TROLLEYS



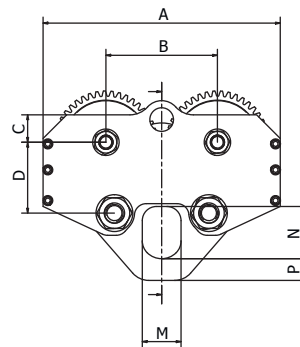
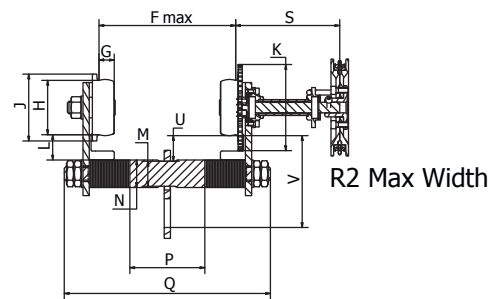
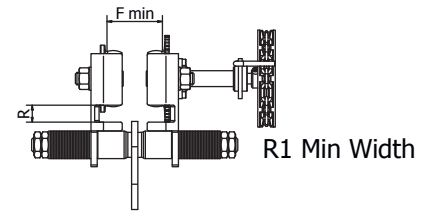
- Solid carbon steel design
- Adjustable to fit various beam widths with traditional spacers
- Wheels of the units fit both I-beams and H-beams
- Trolley wheels are coated for corrosion resistance
- With anti-drop plates
- 100% stainless steel spark resistant & corrosion resistant units
- Lug mount adaptors are available for pneumatic hoist to trolley combination, only



Scan for Webpage, User & Parts Manual

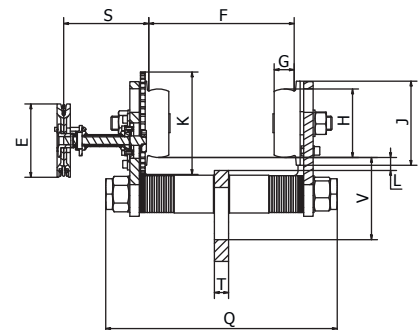


0.5-5t Trolleys



10-40t Trolleys

Note: 40t trolley is a tandem design, request drawing from factory



## SPECIFICATIONS & DIMENSIONS - GRIPPA BEAM CRAWLS

Capacity	Model (BC, BCG)	A	B	C	D	E	Beam Width Range (F)	*F1 (Optional Extender Kit)	G	H	J	K	L	M	M1*	N	N1*	P	Q	R	S	T	U	*U1	Head-room (V)	*V1	W	Min Beam Radius (in)	Unit Weight, Push (lbs)	Unit Weight, Geared (lbs)
0.5t	BC050	7.4	3.7	1.1	3.3	N/A	1.9 - 5.6	N/A	0.6	2.2	3.0	NA	1.6	1.0	1.3	1.2	1.6	2.9	9.1	0.8	N/A	N/A	1.8	1.8	5.9	5.7	Ø1.77	29.5	12.1	N/A
1t	BC1	9.6	4.5	1.4	4.3	6.1	2.9 - 8.3	8.1 - 14	0.7	2.6	3.3	3.8	2.2	1.0	1.6	1.4	1.7	4.3	11.8	1.0	6.2	N/A	2.5	0.9	6.7	5.7	Ø1.77	35.4	22.25	30
2t	BC2	13.0	6.2	1.6	4.7	6.1	3.5 - 8.6	8.46 - 14.0	1.0	3.5	4.2	5.4	1.9	1.2	1.9	1.6	2.1	4.7	13.8	1.0	6.2	N/A	1.6	1.5	5.8	7.8	Ø1.8	43.3	42	50
3t	BC3	13.0	6.2	1.6	5.3	6.1	3.9 - 8.2	8.1 - 14.0	1.0	3.5	4.2	5.4	2.4	1.4	2.2	1.9	2.4	4.9	12.8	1.1	6.2	N/A	2.5	1.3	8.0	8.3	Ø2.36	43.3	53	62
5t	BC5	14.4	6.9	1.6	6.5	6.1	4.4 - 8.3	8.1 - 14.0	1.4	4.3	5.5	5.9	2.9	1.6	N/A	2.4	N/A	5.9	14.6	1.4	6.6	N/A	2.8	N/A	8.6	N/A	Ø2.68	59	92	101
10t	BC10	19.8	9.3	2.3	5.9	6.1	6.8 - 12.0	**	1.7	5.7	7.0	8.5	1.1	3.2	**	4.3	**	1.8	19.3	1.1	7.1	1.2	**	**	6.9	**	**	82.6	232	250
20t	BC20	24.0	11.4	4.7	10.4	8.1	6.8 - 12.0	**	2.6	7.9	9.6	10.8	3.3	4.3	**	5.9	**	2.8	21.7	1.6	8.6	1.6	**	**	10.2	**	**	137	618	630
40t	BC40	52.0	**	5.3	9.3	7.9	6.8 - 12.0	**	2.6	7.9	9.6	10.8	3.3	4.9	**	5.9	**	3.3	23.6	2.0	8.2	2.4	**	**	11.6	**	**	**	1510	1542

\* Wide Beam Extender Kit Option  
 \*\* Contact Factory for Additional Information

