

“MINI” LEVER HOIST



CE
YII-25
Rated load
550lbs

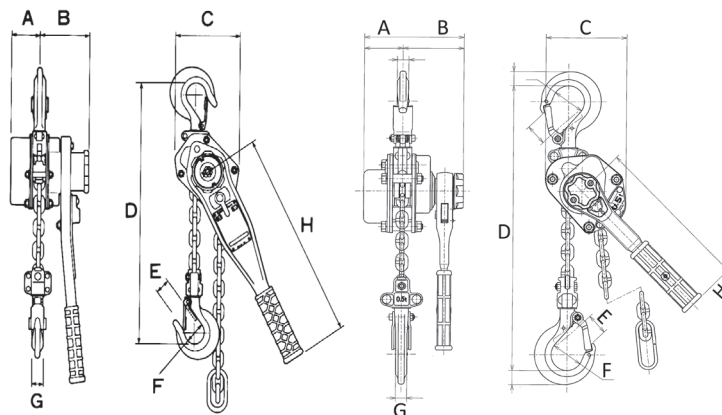
CE
YA-50
Rated load
1100lbs

CE
YIII-50
Rated load
1100lbs

- Grade 105 corrosion resistant load chain, which adheres to the strict German DIN 5684 standard.
- Hoist body has an electro-deposited black finish for corrosion resistance.
- The YA-50 has a unique hook design with tip supporting safety latches
- Both models have a compact design, for use in tight spaces
- Easy to store within a tool bag or tool chest
- Select internal components are nickel coated to help prevent corrosion
- YIII-50 model has an overload protection safety device



Scan for Webpage,
User & Parts Manual



Above reference is for YIII-50, Design of YIII-50 is slightly different than this schematic.

YA-50

SPECIFICATIONS			
Model	YII-25	YA-50	YIII-50
Rated Load (lbs)	550	1100	1100
Rated Load (mt)	250kg	500kg	500kg
Standard Lift (ft)	3.25	5	5
Min. Headroom (in)	9.25	10.4	10.4
Hand Effort to Lift Full Working Load (lbf)	66	75	75
Load Chain Dia. (mm)	4	4	5
Number of Chain Falls	1	1	1
Grade of Chain (JIS)	+V	+V	+V
Net Weight (lbs)	4	8	8

DIMENSIONS (IN.)			
Model	YII-25	YA-50	YIII-50
A	0.82	1.70	1.04
B	2.75	2.70	3.3
C	2.36	3.60	3.3
D	9.25	9.40	10.4
E	0.74	0.94	0.9
F	1.22	1.40	1.4
G	0.47	0.51	0.6
H	6.1	7.00	11.2

