

Circa 1950s



Circa 1960s



GENERATION UPON GENERATION OF QUALITY

ELEPHANT
LIFTING PRODUCTS™

FAMILY OWNED & OPERATED

Circa 1980s



Circa 2000s





HAND CHAIN HOISTS

Super 100 Manual Chain Hoist - With Overload Protection 2-3
 C-21 Manual Chain Hoist 4-5
 Super 100 Large Capacity Chain Hoist 6-7
 SHG Low Profile Manual Trolley Hoist 8-9
 HGUL Low Profile Manual Trolley Hoist 10-11
 Ex H100 Spark Resistant Series, Hook Mount 12-13
 Ex Spark Resistant Trolley Hoist, Push & Geared 14-15
 Corrosion Resistant Hoist, Trolleys, & Beam Clamps 16
 Corrosion Resistant Electric Chain Hoists 17
 Ultra-Low Profile Swivel Trolley Hoist 18
 Hoistman - Mini Chain Hoist 19
 Power Hoistman - Cordless Drill Driven & Hand Crank Hoist 20-21
 Elephant Integral Lug Mount Trolley Hoists, Push & Geared 22-23

TROLLEYS / BEAM CRAWLS

Elephant Push & Geared Trolleys 24-25
 Grippa Push & Geared Trolleys 89
 QBT Quick Beam Trolleys 90
 Motorized Trolleys 52

LEVER CHAIN HOISTS

YA Lever Hoist 26-27
 YAIII Lever Hoist - With Overload Protection 28-29
 YIII Lever Hoist - With Overload Protection 30-31
 Mini Lever Hoist 32
 Shipyard / Upset Welding Hooks / Latch Lock Hooks, Positive Locking 33

SINGLE PHASE ELECTRIC CHAIN HOISTS

SA 1-Phase Electric Chain Hoist 34-37

THREE PHASE, SINGLE BRAKE ELECTRIC CHAIN HOISTS

FA / FB 3-Phase Electric Chain Hoist 38-41

THREE PHASE, DOUBLE BRAKE ELECTRIC CHAIN HOISTS

DA / DB 3-Phase Heavy Duty Electric Chain Hoist 42-51
 Large Capacity Electric Chain Hoist 53

LOW PROFILE ELECTRIC CHAIN HOISTS

SDAM / SDBM Low Profile Electric Chain Hoists 54-55

COMPACT ELECTRIC CHAIN HOISTS

Alpha Compact Electric Chain Hoist 56-60
 Beta Compact Electric Chain Hoist 61

PNEUMATIC CHAIN HOISTS

ATS Pneumatic - Air Chain Hoists - Industrial Type 62-67
 ATS Pneumatic - Air Chain Hoists - Large Capacity 65-67
 ATS Pneumatic - Air Chain Hoists - With Motorized Trolley 68-71
 ATS Pneumatic - Air Chain Hoists - Rigger Type 72
 Pneumatic Hoists Control Options 73
 Spark Resistance Data 74
 ATEX Flow Chart 75
 ATS Pneumatic - Air Chain Hoists - Compact 76-77
 ATS Pneumatic - Air Chain Hoists - Monorail Type 78-79
 ATS Pneumatic - Air Chain Hoists - Low Profile 80-81
 ATS Pneumatic - Air Chain Hoists - Ultra Low Profile 82
 ATS Pneumatic - Air Chain Hoists - Ultra Low Profile, Large Capacity 83
 ATS Pneumatic - Air Chain Hoists - BOP Handling Matrix 84-85
 ATS Pneumatic - Tugger & Ats-Lifter Series Air Winches 86-87

CHAIN CHARACTERISTICS

Load Chain & Hand Chain 88

BEAM & GIRDER CLAMPS

Universal Grippa Clamp 91
 Grippa Girder Clamps 92
 Grippa Rail Clamps 93
 Eye Type & Jumbo Beam Clamps 94-95
 WF Screw Type Clamp - Omni-Directional 96

SPECIALTY CLAMPS

VA & HAR Plate Clamps 97

LOAD TEST STANDS

Warranty Information 98

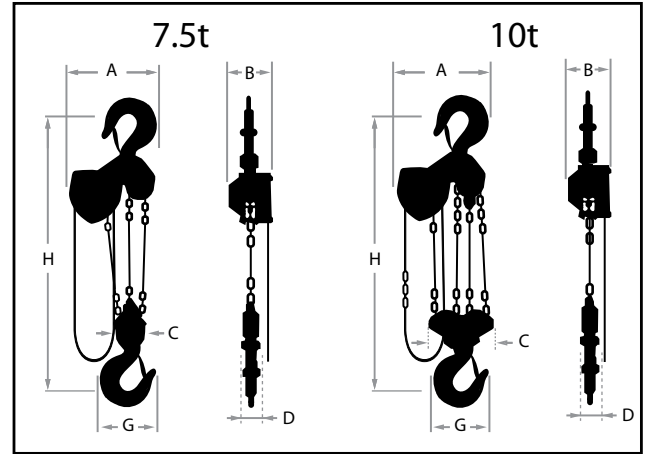
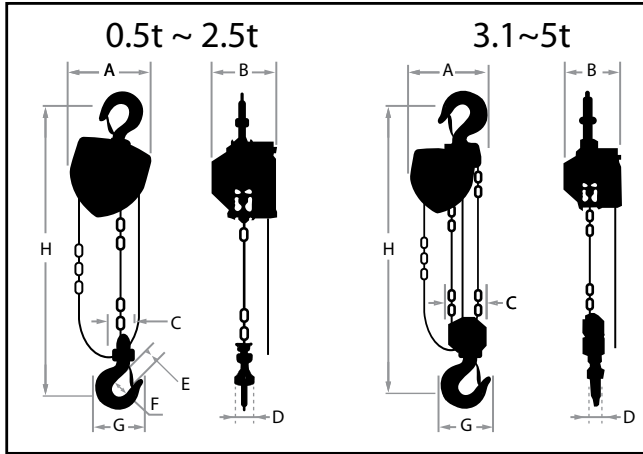
* Specifications & dimensions are subject to change without notice.
 * Elephant's hoists have a metric rating.
 * Longer lifts are available upon request.



SUPER 100 MANUAL CHAIN HOIST WITH OVERLOAD PROTECTION

- Overload protection safety device
- Grade 105 galvanized load chain, which adheres to the strict German DIN 5684 standard
- Galvanized hand chain
- Double pawls supporting fail-safe brake mechanism
- Load sheave with roller bearing
- The tough reinforced gear case has four ribs and four knock pins, providing accurate gear centering and high mechanical efficiency
- Rolled edge hand wheel cover
- Heavy duty electrostatic powder coating
- Long life friction discs
- Suitable for operation within a -20° to +150° C, -4° to +302° F temperature range





SPECIFICATIONS - SUPER 100 MANUAL CHAIN HOIST OVERLOAD PROTECTION

Model	Max working load (lbs)	Max working load (mt)	Standard Lift (ft)	Manufacturer's Test Load	Headroom (in) "H"	Headroom (in) Lug Mount to Elephant P or G Trolley	Hand Effort to Lift Full Working Load (lbf)	Load Chain		Hand Chain Dia. X Pitch (mm)	Net Weight (lbs)		
								Dia. X Pitch (mm)	No. of Falls				
H100-0.5	1100	0.5	10	150% x Max. working load	10.83	11.7	59.5	5 x 15	1	5 x 23.5	22		
H100-1	2200	1.0	10		11.81	12.5	69.5	6.3 x 19			27		
H100-1.6	3500	1.6	10		13.19	14.5	91.5	7.1 x 21			35		
H100-2	4400	2.0	10		14.77	15.8	88.2	8 x 24			46		
H100-2.5	5500	2.5	10		16.14	18.0	89.3	9 x 27			58		
H100-3.1	6800	3.1	10		20.87	20.5	104.7	7.1 x 21			53		
H100-5	11000	5.0	10	125% x Max. working load	24.1	24.8	105.8	9 x 27	2	5 x 23.5	87		
H100-7.5	16500	7.5	10		29.53	28.5	115.7	9 x 27			154		
H100-10	22000	10.0	10		30.52	31.4	115.7	9 x 27			4	5 x 23.5	182

DIMENSIONS (IN.) - SUPER 100 MANUAL CHAIN HOIST OVERLOAD PROTECTION

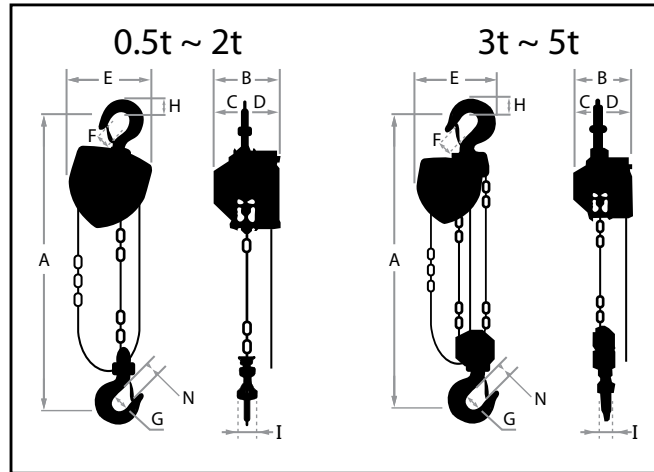
Capacity (lbs)	A	B	C	D	E	F	G	H
1100	5.5	6.1	2.3	1.3	1.1	1.4	2.7	10.83
2200	6.3	6.3	2.5	1.4	1.2	1.7	3.5	11.81
3500	7.2	6.6	2.6	1.5	1.4	1.9	4.1	13.19
4400	8.5	7.2	2.6	1.6	1.5	2.1	4.5	14.77
5500	9.2	7.5	2.8	1.7	1.6	2.2	5	16.14
6800	9.1	6.6	4.4	2.5	1.8	2.4	5.5	20.87
11000	11.1	7.5	6.6	3.1	2.1	2.8	6.4	24.61
16500	14.6	7.5	5.8	3.2	2.8	3.4	9	29.53
22000	15.2	7.5	11.8	3.9	2.8	3.4	9	30.52





C-21 MANUAL CHAIN HOIST

- Grade 105 galvanized load chain, which adheres to the strict German DIN 5684 standard
- Zinc plated hand chain
- Heavy duty frame
- Lightweight lifting capacity ratio, a 1 ton unit with 10' lift weighs 20% less than other Japanese hoists
- Long lasting friction discs
- Extremely wear resistant
- Load chain, hooks, and braking parts have a safety factor of 4+ times. 0.5t ~ 1t units have a safety factor of 5+ times.
- Durable powder coat finish
- Suitable for operation within a -20° to $+130^{\circ}$ C, -4 to $+266^{\circ}$ F temperature range



5 ton model has triple falls

SPECIFICATIONS - C-21 MANUAL CHAIN HOIST

Model	Max working load (lbs)	Max working load (mt)	Standard Lift (ft)	Manufacturer's Test Load	Headroom (in) Dim. A	Hand Effort to Lift Full Working Load (lbf)	Load Chain		Hand Chain	Net Weight (lbs)
							Dia. X Pitch (mm)	No. of Falls	Dia. X Pitch (mm)	
C21-0.5	1100	0.5	10	150% Max. working load	10.9	57.3	4.3 x 12	1	4.5 x 23.0	15
C21-1	2200	1	10		12.2	70.6	5.6 x 17			22
C21-1.5	3500	1.5	10		13.4	72.8	6.5 x 19			28
C21-2	4400	2	10		15	72.8	7.5 x 21	37		
C21-3	6600	3	10		18.9	83.8	6.5 x 19	2		43
C21-5	11000	5	10		21.9	74.9	7.5 x 21	3		75

DIMENSIONS (IN.) - C-21 MANUAL CHAIN HOIST

Capacity (lbs)	A	B	C	D	E	F	G	H	I	N
C21-0.5	10.9	5.2	2.2	3	4.8	1.2	1.4	0.63	0.51	0.95
C21-1	12.2	5.7	2.4	3.3	5.8	1.4	1.7	0.87	0.63	1.2
C21-1.5	13.4	6	2.7	3.3	6.6	1.4	1.7	1	0.83	1.2
C21-2	15	6.5	3	3.5	7.6	1.7	2.1	1.2	0.87	1.4
C21-3	18.9	9	2.7	3.3	8.2	1.7	2.1	1.4	1.1	1.4
C21-5	21.9	6.5	3	3.5	11.7	2.3	2.8	1.8	1.3	1.8

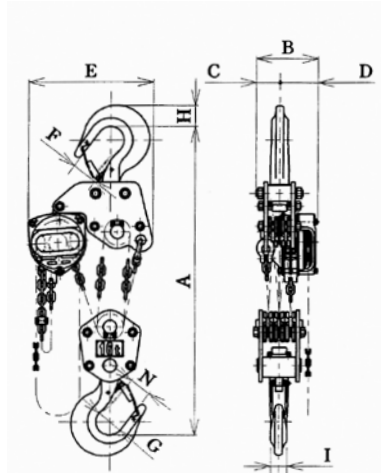
WARNING
ELEPHANT'S ORIGINAL LONG-LIFE CHAIN MUST BE USED FOR THIS HOIST!



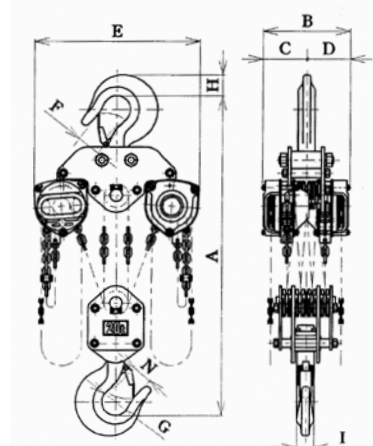


SUPER 100 LARGE CAPACITY CHAIN HOIST

- Overload protection safety device
- Grade 105 galvanized load chain, which adheres to the strict German DIN 5684 standard
- Galvanized hand chain
- Double pawls supporting fail-safe brake mechanism
- Load sheave with roller bearing
- The tough reinforced gear case has four ribs and four knock pins, providing accurate gear centering and high mechanical efficiency
- Rolled edge hand wheel cover
- Heavy duty electrostatic powder coating
- Long life friction discs



H100-16



H100-20 ~ H100-50

SPECIFICATIONS - SUPER 100 LARGE CAPACITY CHAIN HOIST (16-50 ton)

Model	Max working load (lbs)	Max working load (mt)	Test Load (mt)	Standard Lift (ft)	Headroom (in)	Hand Effort to Lift Full Working Load (lbf)	Load Chain			Hand Chain Dia. X Pitch (mm)	Net Weight (lbs)
							Dia. X Pitch (mm)	No. of Falls	Chain Class		
H100-16	35,000	16	20	10	38.78	88 x 1	9 x 27	6	+V	5 x 23.5	326
H100-20	44,000	20	25	10	44.09	79 x 2	9 x 27	8	+V	5 x 23.5	463
H100-32	70,500	32	40	10	50.79	108 x 2	9 x 27	10	+V	5 x 23.5	650
H100-40	88,000	40	50	10	57.09	104 x 2	9 x 27	14	+V	5 x 23.5	1025
H100-50	110,000	50	62.5	10	59.84	110 x 2	9 x 27	16	+V	5 x 23.5	1213

DIMENSIONS (IN.) - SUPER 100 LARGE CAPACITY CHAIN HOIST (16-50 ton)

Capacity(lbs)	A min.	B	C	D	E	F	G	H	I	N
H100-16	38.78	9.25	3.54	5.71	19.37	3.78	4.02	3.11	2.44	3.19
H100-20	44.09	14.21	7.11	7.11	28.39	3.78	4.41	3.35	2.76	3.23
H100-32	50.79	15.79	7.89	7.89	28.39	4.57	5	4.45	3.43	4.09
H100-40	57.09	19.41	9.7	9.7	28.78	3.70	5.75	5.31	4.92	4.25
H100-50	59.84	21.3	10.65	10.65	28.78	4.06	6.54	6.14	5.39	4.72

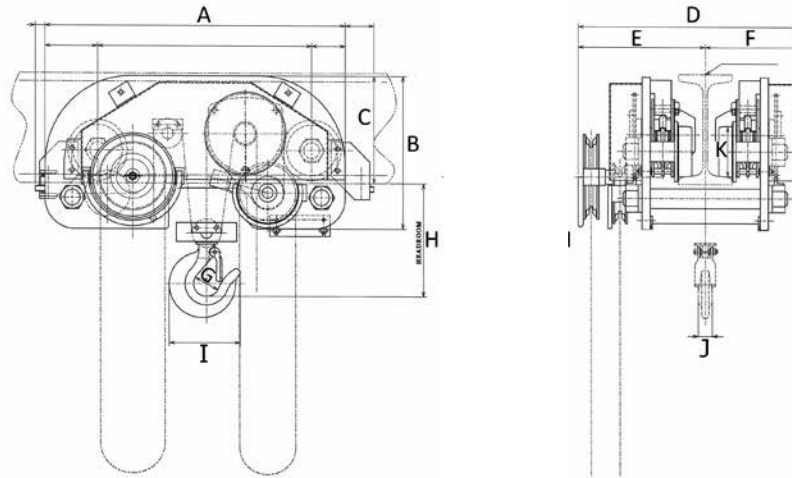




SHG ULTRA LOW PROFILE TROLLEY HOIST 0.5t~20t

- Combination hoist and trolley offer ultra-low headroom
- 0.5t ~ 20 ton capacity
- Load chain & hand chain is corrosion resistant
- Special production, specific to your application
- Wheels of the unit fit both I-beams and H- beams
- With anti-drop plates
- With overload protection safety device





SPECIFICATIONS - SHG LOW PROFILE TROLLEY HOIST

Model	Capacity (metric ton)	Test load (metric ton)	Standard Lift (ft)	Dia. of Load Chain (mm) X Falls	Hand Effort to Lift (lbf)	Hand Effort to Traverse (lbf)	Headroom Dim. H (in)	I Beam Width Dim. W (in)
SHG-0.5	0.5	750kg	8	5x4	55	11	5.15	Manufactured to Specification
SHG-1	1	1.5	8	5x4	62	11	6.10	
SHG-1.6	1.6	2.4	8	5x4	84	9	7.08	
SHG-2	2	3	10	7.1x2	82	12	7.08	
SHG-3.1	3.15	4.8	10	7.1x4	84	18	7.91	
SHG-5	5	7.5	10	7.1x4	84	25	8.85	
SHG-10	10	12.5	10	9x4	88	60	10.23	
SHG-10B	10	12.5	10	9X4	88	60	11.40	
SHG-20	20	25	10	9x8	110	88	15.75	

DIMENSIONS (IN.) - SHG LOW PROFILE TROLLEY HOIST

Model	A	B	C	D	E	F	G	I	J	K	Unit Weight (lbs) with 10' Lift
SHG-0.5	26.8	11.0	7.0	19.6	11.4	8.2	1.6	7.2	0.5	3.2	132
SHG-1	26.8	11.0	7.0	19.6	11.4	8.2	1.9	3.9	0.7	3.2	135
SHG-1.6	26.8	11.0	7.1	19.6	11.4	8.2	2.6	5.4	1.0	3.9	154
SHG-2	26.8	11.0	7.1	19.6	11.4	8.2	2.6	5.4	1.0	3.9	154
SHG-3.1	30.5	13.7	8.9	20.3	11.6	8.7	2.4	6.5	1.2	4.5	331
SHG-5	32.7	13.7	8.9	21.5	12.0	9.4	2.8	6.1	1.4	4.9	551
SHG-10	36.9	16.5	11.0	22.6	12.7	9.9	3.3	9.0	1.8	6.2	772
SHG-20	45.2	19.6	13.1	24.2	13.5	10.7	4.4	12.1	2.7	7.8	1874

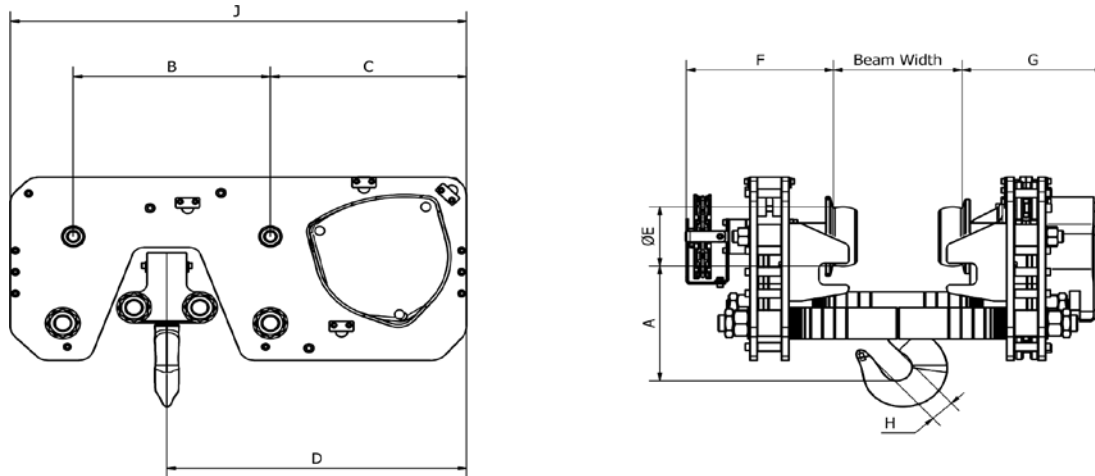




HGUL LOW PROFILE MANUAL TROLLEY HOIST

- Combination hoist and trolley offer ultra-low headroom
- 0.5t ~ 40 ton capacity
- Load chain & hand chain is corrosion resistant
- Adjustable to fit various beam widths
- Wheels of the unit fit both I-beams and H-beams
- With anti-drop plates
- Spark resistant units available upon request
- With overload protection safety device





Schematics are for reference only

SPECIFICATIONS & DIMENSIONS – HGUL LOW PROFILE MANUAL TROLLEY HOIST

Lifting Capacity (t)	0.5	1.0	2.0	3.0	5.0	10.0	15.0	20.0	30.0	40.0
Model	HGUL-0.5	HGUL-1	HGUL-2	HGUL-3	HGUL-5	HGUL-10	HGUL-15	HGUL-20	HGUL-30	HGUL-40
Falls of Chain	2	2	2	2	2	4	6	10	2x6	2x8
Chain Size	7x21				9x27					
Chain Weight per Foot	1.5				2.4	4.8	7.2	12	15	19.2
Weight with 10ft Lift (kg)	179	179	179	202	392	728	1042	1714	1680	2576
Beam Width Range	3.9-7.9	3.9-7.9	3.9-7.9	4.3-8.3	4.3-8.3	4.9-12.	5.9-13.8	5.9-12.2	5.9-13.8	5.9-13.8
A Min. Headroom (in)	6.69	6.69	6.69	6.77	8.27	10.47	10.83	13.86	15.75	16.54
Maximum Depth (in)	8.38	8.38	8.38	8.46	8.27	5.94	7.00	8.85	13.77	13.77
Max Beam Flange Thickness (in)	0.55	0.55	0.55	0.43	1.25	1.10	1.10	2.00	Upon Request	Upon Request
B	8.07	8.07	8.07	8.66	12.95	16.93	19.41	25.20	33.07	11.81/41.92
C	7.68	7.68	7.68	8.86	12.87	13.78	16.97	12.60	12.20	12.17
D	12.20	12.20	12.20	13.98	19.69	22.05	27.44	24.41	28.74	33.19
E	3.54	3.54	3.54	3.54	4.33	5.71	5.71	7.87	7.87	7.87
F	5.55	5.55	5.55	5.75	8.58	8.62	10.31	10.39	10.39	12.20
G	6.10	6.10	6.10	6.10	9.33	9.37	9.53	10.39	10.39	12.20
H	0.91	0.91	0.91	1.38	1.57	2.09	2.28	3.07	3.19	3.19
J	18.50	18.50	18.50	21.46	31.50	35.43	44.88	50.39	51.18	66.34
Maximum Height Above the Beam (in)	4.80	4.80	4.80	4.84	6.49	7.16	7.16	9.25	Upon Request	Upon Request



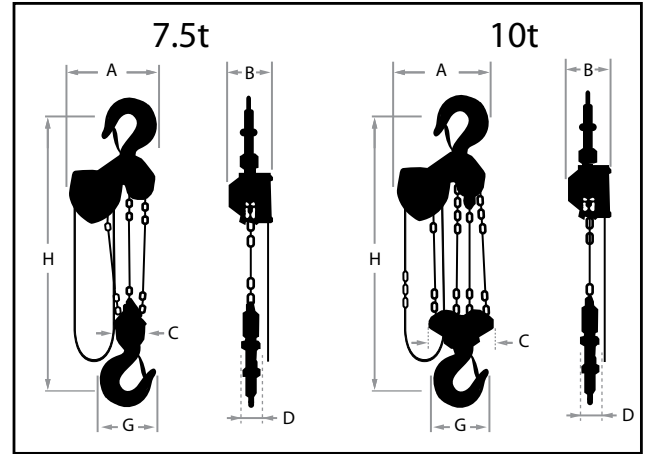
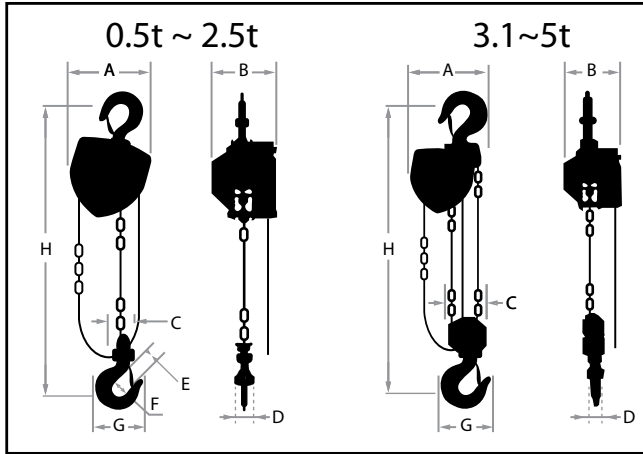


EX H100 SPARK RESISTANT SERIES, HOOK MOUNT

- 0.5t through 20t Capacity
- Hand chain hoists, push & geared trolleys
- II 2 GD c II B T105 °C
- Adheres to the Council Directive and Standards in the EU for explosion proof manual chain hoists.
94/9/EC : ATEX EN1127-1 :2008,
EN13463-1 : 2009, EN13463-5 : 2003

Note:

It is the user's responsibility to properly identify which spark resistant classification is required for their application, not the hoist manufacturer or distributor.



SPECIFICATIONS - EX H100 SPARK RESISTANT SERIES, HOOK MOUNT

Model	Max working load (lbs)	Max working load (mt)	Standard Lift (ft)	Manufacturer's Test Load	Headroom (in) "H"	Headroom (in) Lug Mount to Elephant P or G Trolley	Hand Effort to Lift Full Working Load (lbf)	Load Chain		Hand Chain	Net Weight (lbs)				
								Dia. X Pitch (mm)	No. of Falls	Dia. X Pitch (mm)					
EX-H100-0.5	1100	0.5	10	150% x Max. working load	10.83	11.7	59.5	5 x 15	6.3 x 19	1	5 x 23.5	22			
EX-H100-1	2200	1.0	10		11.81	12.5	69.5					27			
EX-H100-1.6	3500	1.6	10		13.19	14.5	91.5					35			
EX-H100-2	4400	2.0	10		14.77	15.8	88.2					46			
EX-H100-2.5	5500	2.5	10		16.14	18.0	89.3					58			
EX-H100-3.1	6800	3.1	10		20.87	20.5	104.7					53			
EX-H100-5	11000	5.0	10	125% x Max. working load	24.1	24.8	105.8	9 x 27	2	5 x 23.5	87				
EX-H100-7.5	16500	7.5	10		29.53	28.5	115.7				154				
EX-H100-10	22000	10.0	10		30.52	31.4	115.7				9 x 27	3	4	5 x 23.5	182
															182

DIMENSIONS (IN.) - EX H100 SPARK RESISTANT SERIES, HOOK MOUNT

Capacity (lbs)	A	B	C	D	E	F	G	H
1100	5.5	6.1	2.3	1.3	1.1	1.4	2.7	10.83
2200	6.3	6.3	2.5	1.4	1.2	1.7	3.5	11.81
3500	7.2	6.6	2.6	1.5	1.4	1.9	4.1	13.19
4400	8.5	7.2	2.6	1.6	1.5	2.1	4.5	14.77
5500	9.2	7.5	2.8	1.7	1.6	2.2	5	16.14
6800	9.1	6.6	4.4	2.5	1.8	2.4	5.5	20.87
11000	11.1	7.5	6.6	3.1	2.1	2.8	6.4	24.61
16500	14.6	7.5	5.8	3.2	2.8	3.4	9	29.53
22000	15.2	7.5	11.8	3.9	2.8	3.4	9	30.52



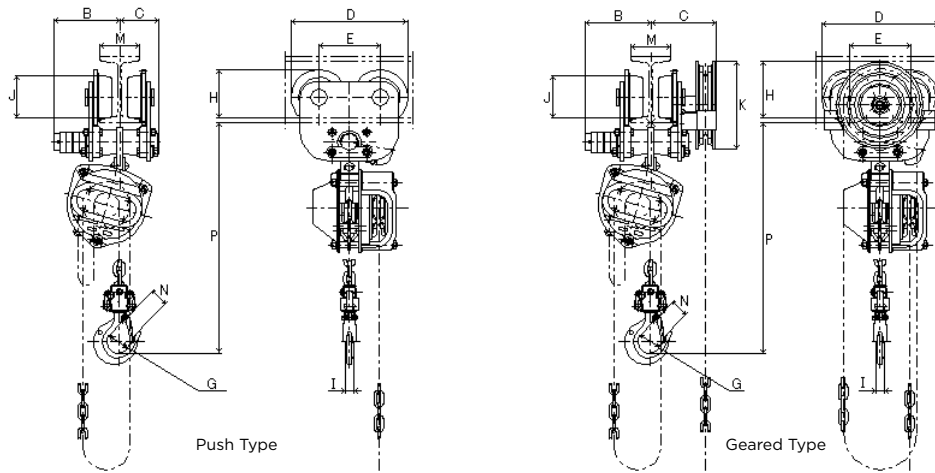


EX SPARK RESISTANT TROLLEY HOIST, PUSH & GEARED

- 0.5t through 20t Capacity
- Hand chain hoists, push & geared trolleys
- II 2 GD c II B T105 °C
- Adheres to the Council Directive and Standards in the EU for explosion proof manual chain hoists.
94/9/EC : ATEX EN1127-1 :2008,
EN13463-1 : 2009, EN13463-5 : 2003

Note:

It is the user's responsibility to properly identify which spark resistant classification is required for their application, not the hoist manufacturer or distributor.



Above schematics are reference only, they are not accurate portrayals for all capacities.
Reference page 13 for complete hoist information.

SPECIFICATIONS - EX SPARK RESISTANT TROLLEY HOIST, PUSH & GEARED

Capacity (mt)	Product Code	Std. Lift (ft)	Beam Width (in)	Min. Beam Radius (ft)	Combined Headroom (in)
0.5	EX-HP(HG)100-0.5	10	2.3 - 5.11	2.95	11.7
1	EX-HP(HG)100-1		2.3 - 5.11	3.61	12.5
1.6	EX-HP(HG)100-1.6		2.7 - 6.1	3.93	14.5
2	EX-HP(HG)100-2		2.7 - 6.1	3.93	15.8
3.1	EX-HP(HG)100-3.1		3.5 - 6.2	5.58	20.5
5	EX-HP(HG)100-5		3.54 - 7.08	7.55	24.8
7.5	EX-HP(HG)100-7.5		4.92 - 7.48	9.84	28.5
10	EX-HP(HG)100-10		4.92 - 7.48	9.84	31.4

DIMENSIONS (IN) - EX SPARK RESISTANT TROLLEY HOIST, PUSH TYPE

Capacity (t)	P	B	C	D	E	G	H	I	J	N
0.5	11.7	3.9	3.9	7.5	3.9	1.4	3.4	0.5	2.7	1.0
1	12.5	3.9	3.8	8.7	4.5	1.6	3.9	0.6	3.1	1.1
1.6	14.5	4.6	4.6	10.1	5.3	1.8	4.6	0.7	3.8	1.3
2	15.8	4.6	4.6	10.1	5.3	2.0	4.6	0.8	3.8	1.4
3.1	20.5	4.6	4.8	11.3	5.9	2.3	5.3	1.0	4.5	1.7
5	24.8	5.5	5.8	12.8	6.6	2.7	6.0	1.3	4.9	2.0
7.5	28.5	6.9	6.9	17.0	8.6	8.6	8.3	1.8	6.2	2.5
10	31.4	6.9	6.9	17.0	8.6	8.6	8.3	1.8	6.2	2.5

DIMENSIONS (IN) - EX SPARK RESISTANT TROLLEY HOIST, GEARED TYPE

Capacity (t)	P	B	C	D	E	G	H	I	J	K	N
0.5	11.7	3.9	5.6	7.5	3.9	1.4	3.7	0.5	2.7	5.3	1.0
1	12.5	3.9	5.8	8.7	4.5	1.6	4.5	0.6	3.1	6.4	1.1
1.6	14.5	4.6	6.3	10.1	5.3	1.8	5.6	0.7	3.8	7.7	1.3
2	15.8	4.6	6.3	10.1	5.3	2.0	5.6	0.8	3.8	7.7	1.4
3.1	20.5	4.6	6.3	11.3	5.9	2.3	5.8	1.0	4.5	7.7	1.7
5	24.8	5.5	7.5	12.8	6.6	2.7	6.4	1.3	4.9	8.3	2.2
7.5	28.5	6.9	12.0	17.0	8.6	3.3	8.9	1.8	6.2	9.8	2.9
10	31.4	6.9	12.1	17.0	8.6	3.3	8.9	1.8	6.2	9.8	2.9

- 1) Dimension B and C are applicable when beam width is max.
- 2) Dimension H is applicable when beam thickness is max.
- 3) For Dimension M, please check the beam width on the specifications.
- 4) Dimension N is applicable when safety latch is opened.
- 5) Contact the factory for wide beam applications





CORROSION RESISTANT HOISTS, TROLLEYS & BEAM CLAMPS

- Hoists are 100% nickel plated with stainless steel fasteners
- Hoists are lubricated with FDA approved food-grade grease within the internal gearing
- Hoists have 316 stainless steel hand chain
- 0.5t & 1t capacities can be offered with optional stainless steel load chain, as well as stainless steel top & bottom hooks
- Hoist dimensions & performance specifications are identical to the Super 100 series, see page 3
- Grippa corrosion resistant trolleys are constructed with 100% stainless steel components
- 100% stainless steel beam clamps are also available

Note:

It is the responsibility of the consumer to check the compatibility of this product and the nickel finish, with the environment and / or chemicals that it will be exposed to, in regards to corrosion resistance.





CORROSION RESISTANT ELECTRIC CHAIN HOISTS

- Designed to offer longevity in Clean Room, Food Grade, and Corrosive Environments
- Finish : Nickel chrome plated hoist body, nickel plated load chain, nickel plated top & bottom hook, and 100% stainless steel chain container
- Hoists are IP 54 with IP65, NEMA 4X, pendants. Sealed from splashing water in any direction, and the ingress of dust.
- Available in the FA and SA series electric chain hoists
- Hoists dimensions & specifications are identical to the SA and FA hoists found on pages 34 ~ 41 of this catalog

Note:

It is the responsibility of the consumer to check the compatibility of this product and the nickel finish, with the environment and / or chemicals that it will be exposed to, in regards to corrosion resistance.



ULTRA-LOW PROFILE SWIVEL TROLLEY HOIST

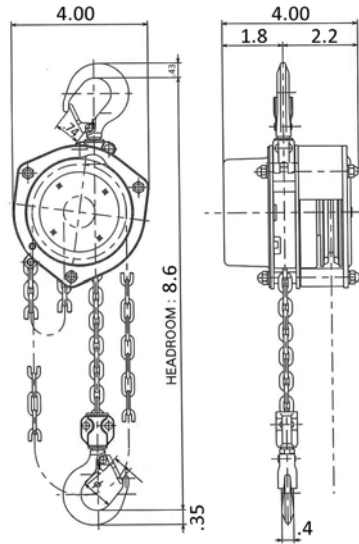
- Ultra-low profile design
- Tight headroom
- Hoist and hand geared / push type combo
- Articulated design for special beams
- Can accommodate beams with abnormally aggressive curves
- Dual pivoting points on the trolleys allow for smooth navigation of the beam
- Corrosion-resistant packages are available
- Marine-grade finishes are available
- Spark resistant features are available

Note:

Please contact factory to inquire about capacity range, and specifications.



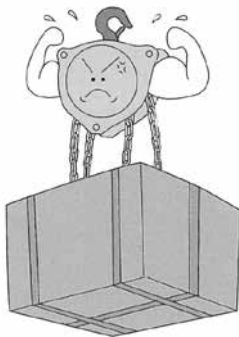
HOISTMAN MINI CHAIN HOIST



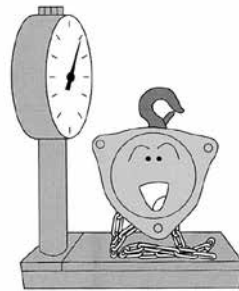
Above schematic measured in inches

DIMENSIONS (IN.) - HOISTMAN MINI

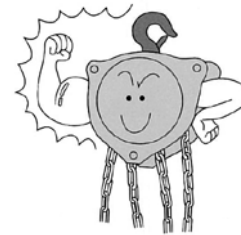
Model	HM-15	HM-25
Capacity (lbs)	330	550
Capacity (kg)	150	250
Test Load (lbs)	496	826
Lift (ft)	10	10
Headroom (in)	8.6	8.6
Hand Effort / Full Working Load (lbf)	368	432
Dia. X Pitch (mm) of Load Chain	3	3
Grade of Load Chain	+V	+V
Dia. X Pitch (mm) of Hand Chain	2.5 x 14	2.5 x 14
Length of Hand Chain (ft)	8.5	8.5
Weight (lbs)	7	6



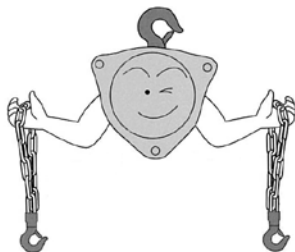
150kg & 250kg



HM25 with 10' Lift Weighs 6 lbs.



Safe and Rugged



Load Chain Weighs 0.2 lbs. per foot



Powder Coated Paint with Rust-Resistant Galvanized Load Chain and Stainless Steel Hand chain



Light and compact
Good for working in high places





POWER HOISTMAN CORDLESS DRILL DRIVEN & HAND CRANK HOIST

The Power Hoistman is beneficial for areas that lack electrification, useful within narrow spaces, and low headroom applications. The hoist can be operated by:

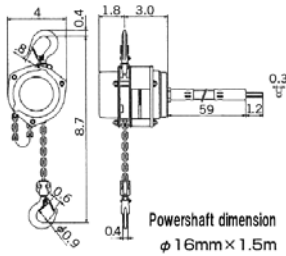
- Connecting a power drill directly to the drive mechanism
- Connecting a power drill to the flexible drive shaft
- Using the hand crank directly to the drive mechanism
- Connecting the hand crank handle to the flexible drive shaft
- Standard product is attached with powershaft 5ft, a bit and a handle
- Lifting speed meets the specifications when r.p.m. of cordless driver drill is 1300
- Please apply 15.6V cordless driver drill to EHM-F-38.
- Do not use electric or pneumatic impact driver.

4 METHODS OF OPERATING THE HOIST

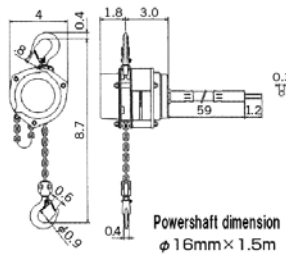


SPECIFICATIONS - POWER HOISTMAN CORDLESS DRILL DRIVEN & HAND CRANK HOIST											
Model	Kind of Cordless Driver Drill	With Powershaft		Direct Connection		Standard Lift (ft)	Test Load (lbs)	Headroom (in)	Length of Power Shaft (ft)	Load Chain Dia x Pitch (mm)	Weight w/ Power Shaft (lbs)
		Rated Load (lbs)	Lifting Speed (ft / min)	Rated Load (lbs)	Lifting Speed (ft / min)						
EHMF-12.5	12V	275	10	275	10	10	125%	8.7	5	3.1 x 9.3	9
EHMF-20	12V	400	6	400	6	10	125%	8.7	5	3.1 x 9.3	9
EHMF-38	15.6V	838	5.5	838	5.5	10	125%	10.8	5	4.3 x 12	12

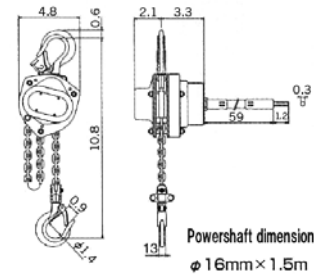
EHMF 12.5
Rated load 275 lbs.



EHMF 20
Rated load 400 lbs.



EHMF 38
Rated load 838 lbs.



All schematics measured in inches

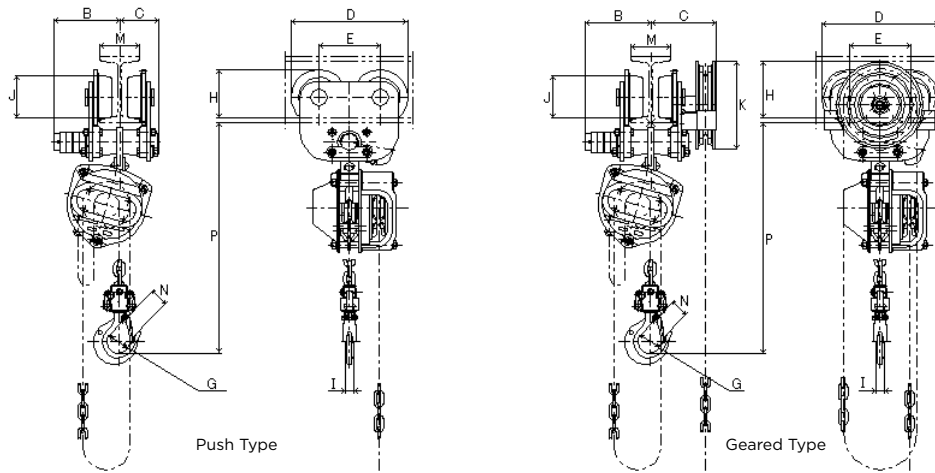




ELEPHANT INTEGRAL LUG MOUNT TROLLEY HOISTS, PUSH & GEARED

- Overload protection safety device
- Grade 105 galvanized load chain, which adheres to the strict German DIN 5684 standard
- Galvanized hand chain
- Double pawls supporting fail-safe brake mechanism
- Load sheave with roller bearing
- The tough reinforced gear case has four ribs and four knock pins, providing accurate gear centering and high mechanical efficiency
- Rolled edge hand wheel cover
- Heavy duty electrostatic powder coating
- Long life friction discs
- Suitable for operation within a -4° ~ 140° F temperature range
- Adjustable to fit various beam widths
- A solid carbon steel design
- The wheels of the trolley fit both I-Beams and H-Beams
- Trolley wheels are parkerized for corrosion resistance
- High quality closed bearings provide smooth traversing
- With Anti-Drop plates





Above schematics are reference only, they are not accurate portrayals for all capacities.
Reference pages 3 and 25 for complete hoist & trolley information.

SPECIFICATIONS - ELEPHANT INTEGRAL LUG MOUNT TROLLEY HOISTS, PUSH & GEARED

Capacity (mt)	Product Code	Std. Lift (ft)	Beam Width (in)	Min. Beam Radius (ft)	Combined Headroom (in)
0.5	HP(HG)100-0.5	10	2.3 - 5.11	2.95	11.7
1	HP(HG)100-1		2.3 - 5.11	3.61	12.5
1.6	HP(HG)100-1.6		2.7 - 6.1	3.93	14.5
2	HP(HG)100-2		2.7 - 6.1	3.93	15.8
3.1	HP(HG)100-3.1		3.5 - 6.2	5.58	20.5
5	HP(HG)100-5		3.54 - 7.08	7.55	24.8
7.5	HP(HG)100-7.5		4.92 - 7.48	9.84	28.5
10	HP(HG)100-10		4.92 - 7.48	9.84	31.4

DIMENSIONS (IN) - ELEPHANT INTEGRAL LUG MOUNT TROLLEY HOISTS, PUSH TYPE

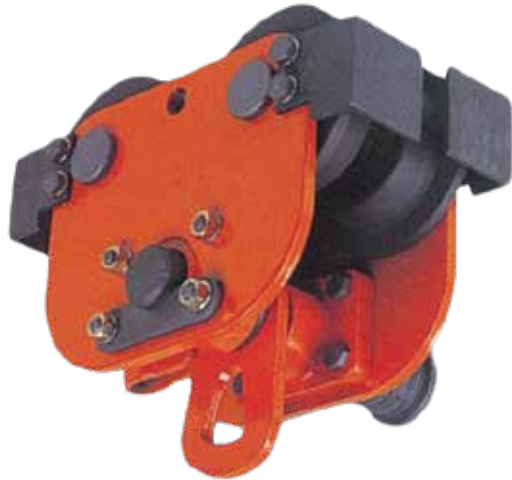
Capacity (t)	P	B	C	D	E	G	H	I	J	N
0.5	11.7	3.9	3.9	7.5	3.9	1.4	3.4	0.5	2.7	1.0
1	12.5	3.9	3.8	8.7	4.5	1.6	3.9	0.6	3.1	1.1
1.6	14.5	4.6	4.6	10.1	5.3	1.8	4.6	0.7	3.8	1.3
2	15.8	4.6	4.6	10.1	5.3	2.0	4.6	0.8	3.8	1.4
3.1	20.5	4.6	4.8	11.3	5.9	2.3	5.3	1.0	4.5	1.7
5	24.8	5.5	5.8	12.8	6.6	2.7	6.0	1.3	4.9	2.0
7.5	28.5	6.9	6.9	17.0	8.6	8.6	8.3	1.8	6.2	2.5
10	31.4	6.9	6.9	17.0	8.6	8.6	8.3	1.8	6.2	2.5

DIMENSIONS (IN) - ELEPHANT INTEGRAL LUG MOUNT TROLLEY HOISTS, GEARED TYPE

Capacity (t)	P	B	C	D	E	G	H	I	J	K	N
0.5	11.7	3.9	5.6	7.5	3.9	1.4	3.7	0.5	2.7	5.3	1.0
1	12.5	3.9	5.8	8.7	4.5	1.6	4.5	0.6	3.1	6.4	1.1
1.6	14.5	4.6	6.3	10.1	5.3	1.8	5.6	0.7	3.8	7.7	1.3
2	15.8	4.6	6.3	10.1	5.3	2.0	5.6	0.8	3.8	7.7	1.4
3.1	20.5	4.6	6.3	11.3	5.9	2.3	5.8	1.0	4.5	7.7	1.7
5	24.8	5.5	7.5	12.8	6.6	2.7	6.4	1.3	4.9	8.3	2.2
7.5	28.5	6.9	12.0	17.0	8.6	3.3	8.9	1.8	6.2	9.8	2.9
10	31.4	6.9	12.1	17.0	8.6	3.3	8.9	1.8	6.2	9.8	2.9

- 1) Dimension B and C are applicable when beam width is max.
- 2) Dimension H is applicable when beam thickness is max.
- 3) For Dimension M, please check the beam width on the specifications.
- 4) Dimension N is applicable when safety latch is opened.
- 5) Contact the factory for wide beam applications



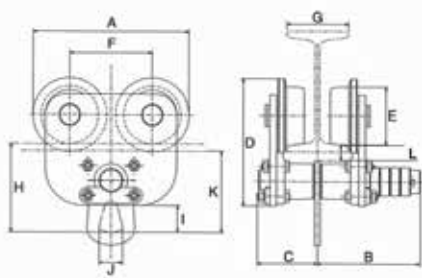


ELEPHANT PUSH & GEARED TYPE TROLLEYS

- Adjustable to fit various beam widths
- A solid carbon steel design
- The wheels of the trolley fit both I-Beams and H-Beams
- Trolley wheels are parkerized for corrosion resistance
- High quality closed bearings provide smooth traversing
- With Anti-Drop plates
- Suitable for operation within a -20° C to +60° C, -4° F to 140° F temperature range



SPECIFICATIONS - ADJUSTABLE PLAIN TROLLEY



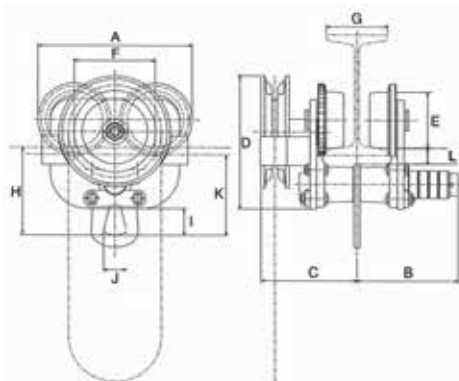
The shape of the plain trolley for more than 8 ton is different from above drawing.

Model	Capacity (lbs)	Capacity (mt)	I-beam Width G (in)	Min. radius of I-beam (in)	Net Weight (lbs)
P-0.5	1102	0.5	2.3 - 5.11	35.4	18
P-1	2204	1	2.3 - 5.11	43.3	28
P-1.6	3527	1.6	2.7 - 6.1	47.2	47
P-2	4409	2	2.7 - 6.1	47.2	47
P-3.1	6944	3.15	3.5 - 6.2	66.93	60
P-5	11023	5	3.54 - 7.08	90.55	107
P-7.5	17636	7.5	4.92 - 7.48	118.11	216
P-10	22046	10	4.92 - 7.48	118.11	221
P-15	33069	15	5.90 - 7.48	236.22	650
P-20	44092	20	5.90 - 7.48	236.22	882

Special extender kits are available for large beam width applications

DIMENSIONS (IN.) - ADJUSTABLE PLAIN TROLLEY

Model	A	B	C	D	E	F	H	I	J	K	L
P-0.5	7.5	5	2.9	6.1	2.7	3.9	4.2	1.3	1.1	3.9	0.67
P-1	8.7	5	2.9	6.7	3.1	4.5	4.4	1.2	1.1	4	0.59
P-1.6	10.2	5.6	3.7	8.1	3.8	5.3	5.9	2	1.5	5.5	1.14
P-2	10.2	5.6	3.7	8.1	3.8	5.3	5.9	2.1	1.5	5.5	1.14
P-3.1	11.3	5.7	3.8	9.4	4.5	5.9	7.1	2.5	1.9	6.6	1.08
P-5	12.9	6.5	4.9	11.4	4.9	6.6	8.7	2.9	2.3	8.2	1.28
P-7.5	17	7	7	13	6.2	8.6	9.6	3.9	3.1	9.1	1.81
P-10	17	7	7	13	6.2	8.6	9.6	3.9	3.1	9.1	1.81
P-15	22.8	9	9	18.2	7.7	11.6	10.7	3.3	3.7	9.7	2.62
P-20	22.8	9	9	18.2	7.7	11.6	10.7	3.3	3.7	9.7	2.62



The shape of the geared trolley for more than 8 ton is different from above drawing.

SPECIFICATIONS - ADJUSTABLE GEARED TROLLEY

Model	Capacity (lbs)	Capacity (mt)	I-beam Width G (in)	Diameter x pitch of Hand Chain	Min. radius of I-beam (in)	Net Weight (lbs)
G-0.5	1102	0.5	2.3 - 5.11	5 x 22.5	35.4	27
G-1	2204	1	2.3 - 5.11	6 x 26.6	43.3	35
G-1.6	3527	1.6	2.7 - 6.1	6 x 26.6	47.2	54
G-2	4409	2	2.7 - 6.1	6 x 26.6	47.2	65
G-3.1	6944	3.15	3.5 - 6.2	6 x 26.6	66.93	74
G-5	11023	5	3.54 - 7.08	6 x 26.6	90.55	123
G-7.5	17636	7.5	4.92 - 7.48	5 x 23.6	118.11	236
G-10	22046	10	4.92 - 7.48	5 x 23.6	118.11	258
G-15	33069	15	5.90 - 7.48	5 x 23.6	236.22	695
G-20	44092	20	5.90 - 7.48	5 x 23.6	236.22	926
G-30	66138	30	7.48	5 x 23.6	472.44	1323

Special extender kits are available for large beam width applications

DIMENSIONS (IN.) - ADJUSTABLE GEARED TROLLEY

Model	A	B	C	D	E	F	H	I	J	K	L
G-0.5	7.5	5	4.6	6.4	2.7	3.9	4.2	1.3	1.1	3.9	0.67
G-1	8.7	5	4.8	7.3	3.1	4.5	4.4	1.2	1.1	4	0.59
G-1.6	10.2	5.6	5.3	9.1	3.8	5.3	5.9	2	1.5	5.5	1.14
G-2	10.2	5.6	5.3	9.1	3.8	5.3	5.9	2.1	1.5	5.5	1.14
G-3.1	11.3	5.7	5.3	9.9	4.5	5.9	7.1	2.5	1.9	6.6	1.08
G-5	12.9	6.5	6.5	11.8	4.9	6.6	8.7	2.9	2.3	8.2	1.28
G-7.5	17	7.4	11.8	12.1	6.2	8.6	9.6	3.9	3.1	9.1	1.81
G-10	17	7.4	11.8	12.1	6.2	8.6	9.6	3.9	3.1	9.1	1.81
G-15	22.8	9	12.8	17.4	7.7	11.6	10.7	3.3	3.7	9.7	2.62
G-20	22.8	9	12.9	17.4	7.7	11.6	10.7	3.3	3.7	9.7	2.62
G-30	36.8	12	17.4	22.7	9.6	23.6	23.1	7.2	5.9	22.1	**

*If being paired with a motorized hoist, please consult with Elephant before proceeding. The brackets and connector between the side plates will change, to accommodate stresses generated by motorized hoists.

** Contact Factory for Additional Information



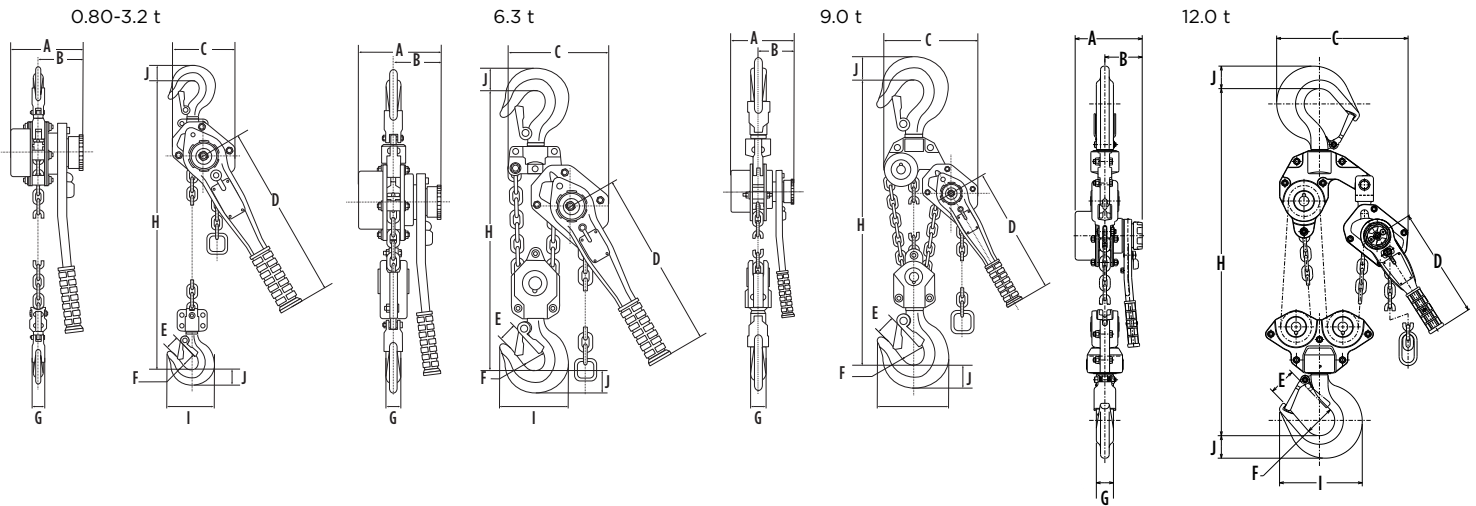


Patent and Copyright Registered

YA LEVER HOIST

- Rounded lever design for smooth operation when placed against flat surfaces
- Grade 105 galvanized load chain, which adheres to the strict German DIN 5684 standard.
- True one touch free spooling, which automatically brakes when a load is applied.
- Redesigned hooks with tip supporting safety latch
- Hoist body has an electro-deposited black finish for corrosion resistance
- Ratchet recovery of 16.5° for 0.8t-1t and 14° for 1.6t-12t
- Internal side plates have hardened steel bushings for excellent load sheave & pinion support
- Internal side plates, pinion, pawls, and pawl springs have an electro-deposited coating that helps resist corrosion
- Internal disc hub and ratchet wheel are nickel plated for corrosion resistance
- Suitable for operation within a -20° to +130° C, -4° to +266° F temperature range





SPECIFICATIONS - YA LEVER HOIST

Model	Capacity (lbs)	Capacity (mt)	Standard Lift (ft)	Hand Effort to Lift Full Working Load (lbf)	Dia. of Load Chain (mm)	Net Weight (lbs)	Load Chain Min Breaking Load	Safety Factor
YA-80	1760	0.8	5	66	5.6	13	5.2+	6.5
YA-100	2200	1	5	82	5.6	14	5.2+	5.2
YA-160	3520	1.6	5	66	7.1	20	8.3+	5.3
YA-320	7040	3.2	5	82	9	34	13.4+	4.2
YA-630	13,860	6.3	5	84	9 x 2	59	26.8+	4.3
YA-900	19,800	9	5	86	9 x 3	93	40.2+	4.5
YA-1200	26,400	12	5	88	9 x 4	159	53.6+	4.2

*Test Load is 150% of Rated Load

DIMENSIONS (IN.) - YA LEVER HOIST

Model	A	B	C	D	E	F	G	H	I	J
YA-80	2.1	3.6	4.8	11.4	0.91	1.4	0.51	10.6	2.76	0.748
YA-100	2.1	3.6	4.8	12.3	1.1	1.7	0.59	10.6	2.91	0.866
YA-160	2.5	3.9	5.4	13.9	1.2	1.7	0.63	12.2	3.46	1.024
YA-320	3.3	4.1	7.1	16.2	1.4	2.1	0.83	12.2	3.66	1.378
YA-630	3.3	4.1	9.3	22.2	1.9	2.8	1.10	12.2	4.94	1.811
YA-900	3.3	4.1	11.8	27.1	2.9	3.4	1.87	12.2	9.06	2.461
YA-1200	3.25	4.09	14.57	31.06	2.91	3.35	1.87	12.2	9.06	2.461

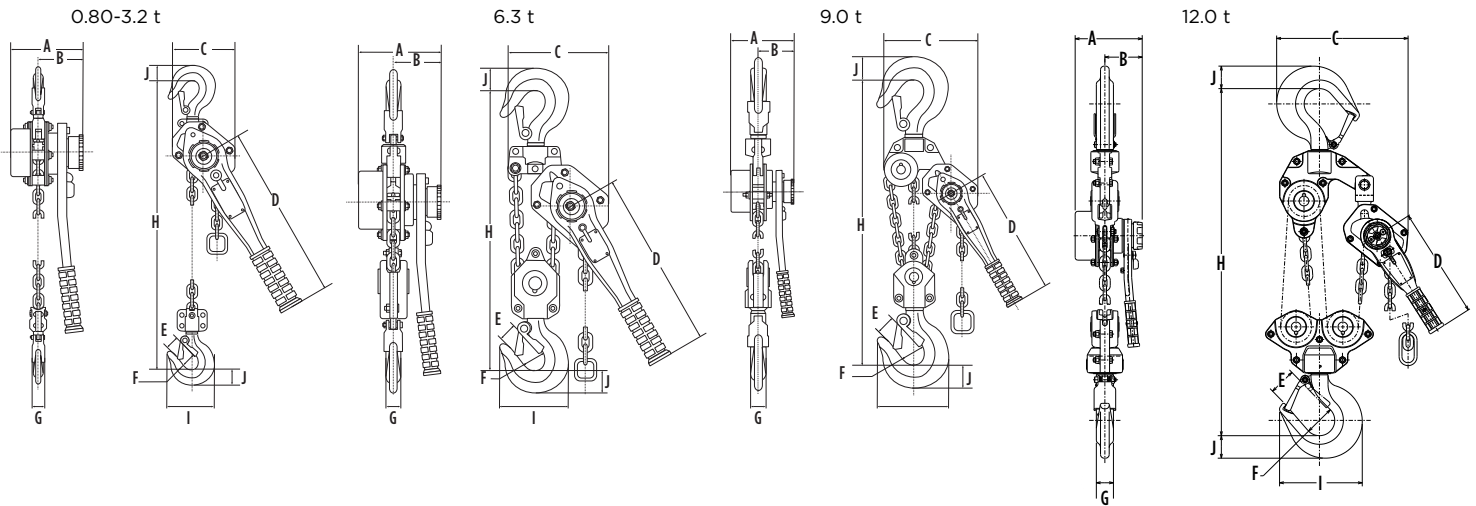
* Specifications & Dimensions are subject to change without notice





YAIII LEVER HOIST WITH OVERLOAD PROTECTION

- The torcon overload protection safety device engages when the hoist is overloaded, helping to prevent damage to the hoist, as well as injury to personnel.
- Grade 105 galvanized load chain, which adheres to the strict German DIN 5684 standard.
- True one touch free spooling, which automatically brakes when a load is applied.
- Redesigned hooks with tip supporting safety latch
- Hoist body has an electro-deposited black finish for corrosion resistance
- Ratchet recovery of 16.5° for 0.8t-1t and 14° for 1.6t-12t
- Internal side plates have hardened steel bushings for excellent load sheave & pinion support
- Internal side plates, pinion, pawls, and pawl springs have an electro-deposited coating that helps resist corrosion
- Internal disc hub and ratchet wheel are nickel plated for corrosion resistance
- Suitable for operation within a -20° to +130° C, -4° to +266° F temperature range



SPECIFICATIONS - YAIII LEVER HOIST

Model	Capacity (lbs)	Capacity (mt)	Standard Lift (ft)	Hand Effort to Lift Full Working Load (lbf)	Dia. of Load Chain (mm)	Net Weight (lbs)	Load Chain Min Breaking Load	Safety Factor
YAIII-80	1760	0.8	5	66	5.6	13	5.2+	6.5
YAIII-100	2200	1	5	82	5.6	14	5.2+	5.2
YAIII-160	3520	1.6	5	66	7.1	20	8.3+	5.3
YAIII-320	7040	3.2	5	82	9	34	13.4+	4.2
YAIII-630	13,860	6.3	5	84	9 x 2	59	26.8+	4.3
YAIII-900	19,800	9	5	86	9 x 3	93	40.2+	4.5
YAIII-1200	26,400	12	5	88	9 x 4	159	53.6+	4.2

*Test Load is 150% of Rated Load

DIMENSIONS (IN.) - YAIII LEVER HOIST

Model	A	B	C	D	E	F	G	H	I	J
YAIII-80	2.1	3.6	4.8	11.4	0.91	1.4	0.59	10.6	2.76	0.748
YAIII-100	2.1	3.6	4.8	12.3	1.1	1.7	0.63	10.6	2.91	0.866
YAIII-160	2.5	3.9	5.4	13.9	1.2	1.7	0.83	12.2	3.46	1.024
YAIII-320	3.3	4.1	7.1	16.2	1.4	2.1	1.1	12.2	3.66	1.378
YAIII-630	3.3	4.1	9.3	22.2	1.9	2.8	1.3	12.2	4.94	1.811
YAIII-900	3.3	4.1	11.8	27.1	2.9	3.4	1.88	12.2	9.06	2.461
YAIII-1200	3.25	4.09	14.57	31.06	2.91	3.35	1.87	12.2	9.06	2.461

* Specifications & Dimensions are subject to change without notice



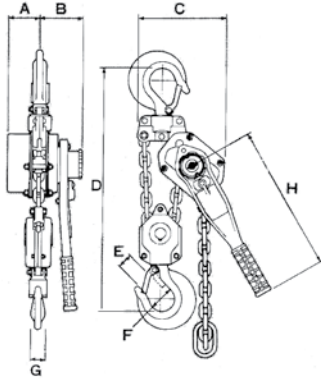
YIII LEVER HOIST WITH OVERLOAD PROTECTION



The torcon overload protection safety device engages when the hoist is overloaded, helping to prevent damage to the hoist, as well as injury to personnel.



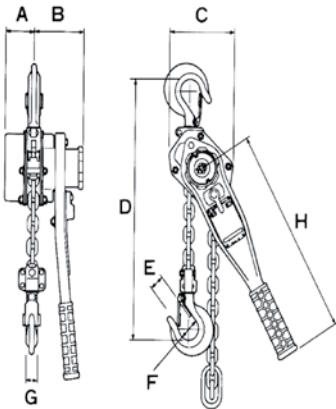
- Grade 105 galvanized load chain, which adheres to the strict German DIN 5684 standard.
- Free spooling, which automatically brakes when a load is applied.
- Hoist body has an electro-deposited black finish for corrosion resistance
- Internal side plates have hardened steel bushings for excellent load shave & pinion support
- Internal side plates, pinion, pawls, and pawl springs have an electro-deposited coating that helps resist corrosion
- Internal disc hub and ratchet wheel are nickel plated for corrosion resistance



Above Schematic is 6 Ton Model

SPECIFICATIONS - YIII LEVER HOIST							
Model	YIII-50	YIII-80	YIII-100	YIII-160	YIII-320	YIII-630	YIII-900
Rated Load (lbs)	1100	1700	2200	3500	6900	13800	19800
Rated Load (mt)	500kg	800kg	1	1.6	3.15	6.3	9
Standard Lift (ft)	5	5	5	5	5	5	5
Min. Headroom (in)	10.4	11.4	12.2	13.7	16.5	22.4	27.8
Hand Effort to Lift Full Working Load (lbf)	75	66	82	66	82	84	86
Load Chain Dia. (mm)	5	5.6	5.6	7.1	9	9x2	9x3
Number of Chain Falls	1	1	1	1	1	2	3
Grade of Chain (JIS)	+V	+V	+V	+V	+V	+V	+V
Net Weight (lbs)	8	14	14.5	21	34	58	93

*Test Load is 150% of Rated Load



Above Schematic is 0.5t through 3t Unit.
Design of YIII-50 is Slightly Different than this Schematic.

DIMENSIONS (IN.) - YIII LEVER HOIST							
Model	YIII-50	YIII-80	YIII-100	YIII-160	YIII-320	YIII-630	YIII-900
A	1.04	2.07	2.07	2.5	3.3	3.3	3.3
B	3.3	3.9	3.9	4.1	4.4	4.4	4.4
C	3.3	4.8	4.8	5.6	7	9.3	11.8
D	10.4	11.4	12.2	13.8	16.5	22.4	27.8
E	0.9	0.9	1.06	1.5	1.4	1.8	2.6
F	1.4	1.4	1.69	1.7	2.08	2.8	3.3
G	0.6	0.59	0.7	0.83	1.1	1.3	1.9
H	11.2	10.6	10.6	15.2	15.6	15.2	15.2



“MINI” LEVER HOIST

- Grade 105 galvanized load chain, which adheres to the strict German DIN 5684 standard.
- Hoist body has an electro-deposited black finish for corrosion resistance.
- The YA-50 has a unique hook design with tip supporting safety latches
- Both models have a compact design, for use in tight spaces
- Easy to store within a tool bag or tool chest
- Select internal components are nickel coated to help prevent corrosion
- YIII-50 model has an overload protection safety device



YII-25

Rated load
550lbs



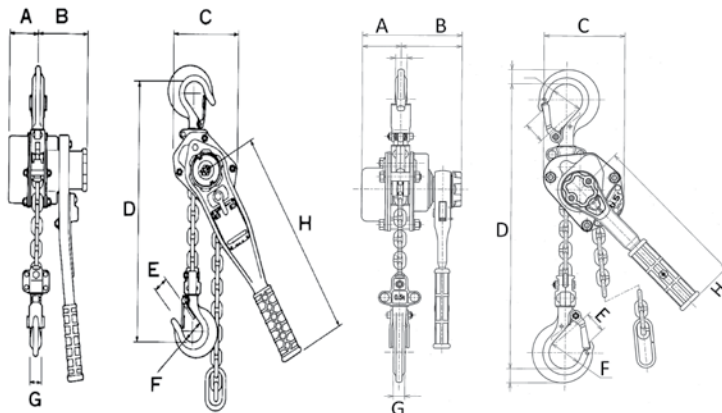
YA-50

Rated load
1100lbs



YIII-50

Rated load
1100lbs



Above reference is for YIII-50, Design of YIII-50 is slightly different than this schematic.

YA-50

SPECIFICATIONS			
Model	YII-25	YA-50	YIII-50
Rated Load (lbs)	550	1100	1100
Rated Load (mt)	250kg	500kg	500kg
Standard Lift (ft)	3.25	5	5
Min. Headroom (in)	9.25	10.4	10.4
Hand Effort to Lift Full Working Load (lbf)	66	75	75
Load Chain Dia. (mm)	4	4	5
Number of Chain Falls	1	1	1
Grade of Chain (JIS)	+V	+V	+V
Net Weight (lbs)	4	8	8

DIMENSIONS (IN.)			
Model	YII-25	YA-50	YIII-50
A	0.82	1.70	1.04
B	2.75	2.70	3.3
C	2.36	3.60	3.3
D	9.25	9.40	10.4
E	0.74	0.94	0.9
F	1.22	1.40	1.4
G	0.47	0.51	0.6
H	6.1	7.00	11.2



SHIPYARD / UPSET WELDING HOOKS



- **Available in YA & YAll Series**
- **Capacities : 0.8t, 1t, 1.6t, and 3.2t**
- **High Stiffness on Top and Bottom Hooks**
The hooks have been made stiffer by thoroughly quenching during production. The value of permanent deformation of the breaking load point is now 10% higher than our original hooks.
- **Equipped with Overload Protection (YAllIS Series)**
The overload protection device of the YAllIS and the durable point load hooks help to prevent damage to the hoist, as well as injury to personnel.
- **Reducing Maintenance Cost (YAllIS Series)**
The Overload Protection Device of the YAllIS and the durable point load hooks help to prevent damages that a normal hoist without overload protection would endure, thus reducing annual repair cost.
- **Three Protrusions on the Hooks**
The shipyard hook has protrusions on each side of the hook to help prevent a load from slipping off. The protrusions also help to measure the distance of the hook's opening.
- **Uses:**
Shipyards, Fabrication Facilities, Upset Welding, Pulling Angle Iron, and other Industrial Applications



LATCH LOCK HOOKS, POSITIVE LOCKING

- The Latch Lock Hook's design helps to better ensure that your load is secure
- Premium Japanese quality, forged & heat treated
- The special design of the hook and latch offers better longevity in the field
- Simple operation





ELECTRIC CHAIN HOIST SA TYPE 1 PHASE, 1 SPEED

Optional Overload Limit Device for the SA Hoists

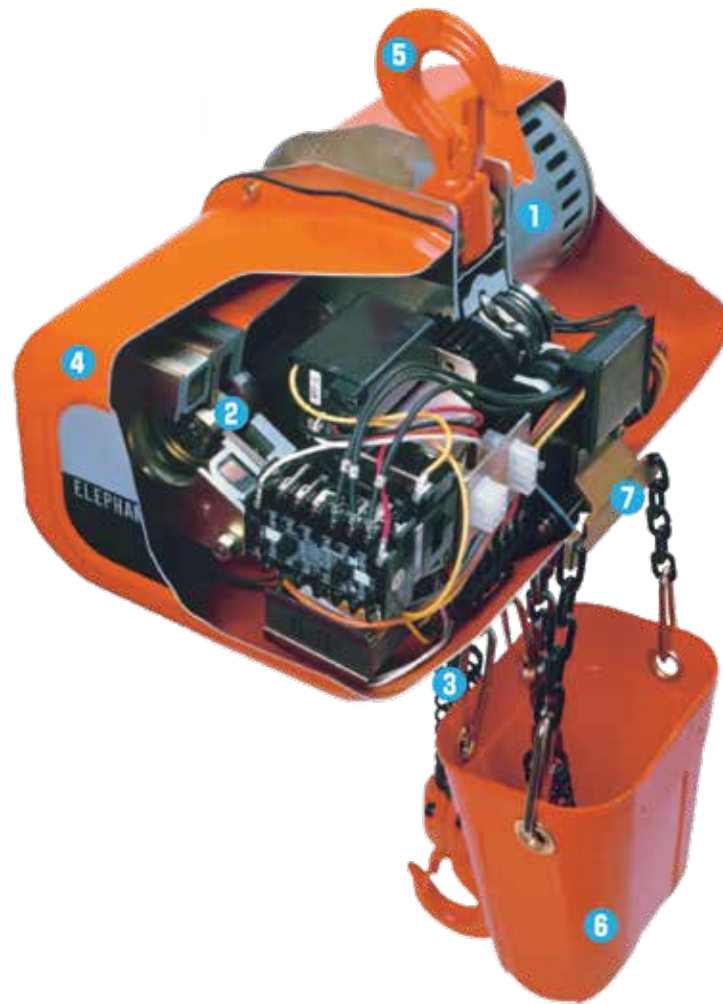
Our new Torcon overload protection device is a slip clutch style. In the event of an overload, the device actuates and prevents the hoist from continuing to lift. This mechanism protects the hoist from damage.

- Single phase class B insulation with a short time duty of 25 minutes.
- Thermal protector - senses abnormal rise in temperatures within the motor and automatically shuts the motor down to prevent damage.

Optional Motorized Trolleys

- MTS series motorized trolley, single phase, for combination with the SA electric chain hoists. 1/4t ~ 1 ton only.
- Trolleys come with pivoting adapter for hook to hook type suspension or lug type suspension

Wiring - Simple Plug-In Type Connection



FEATURES OF SA/SAM

1 Tough, Heavy-Duty Motor

Elephant's unique design for a lower power consumption.

	Insulation class	Short time duty
SA	B	25 minutes

2 Reliable Electro-Magnetic DC Brake

3 Highly durable load chain manufactured in Japan by Elephant

4 Totally Enclosed Steel Plate Construction

5 Durable top and bottom hooks

Bottom hook with bearing smoothly swivels, 360°. In the event of an overload, the hook gradually elongates. This elongation serves as an indicator to the end user, making them aware of the overload.

6 Chain Bucket Hard plastic

7 Limit switch Standard feature

8 Ambient temperature range 14°-104° F

9 Ratings JIS/ISO M4, FEM 1AM, ASME H3 Motor, IP54 Hoist Protection, IP65 NEMA 4X Pendant Protection

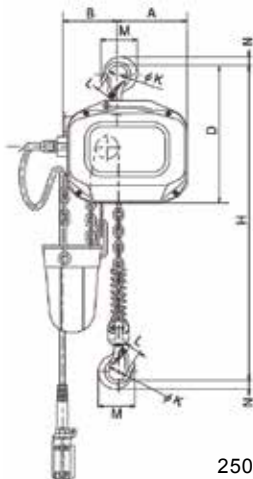
10 Temperature Range -10° to 40° C, 14° to 104° F

11 CSA Compliant Hoist available upon request, excludes motorized trolley

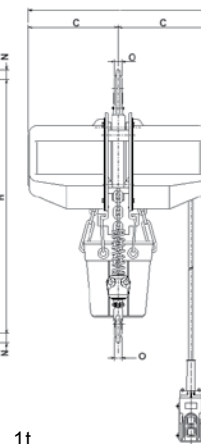
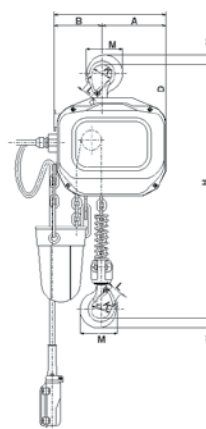
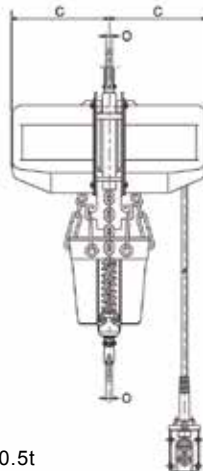
Note: This model is not designed for excessive inching or jogging



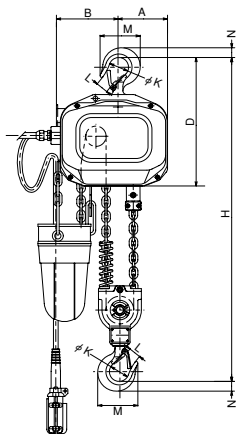
SA TYPE HOOK SUSPENSION



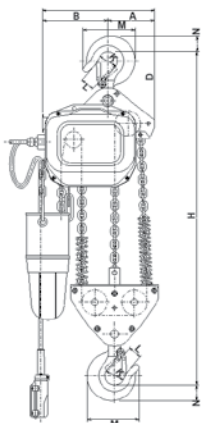
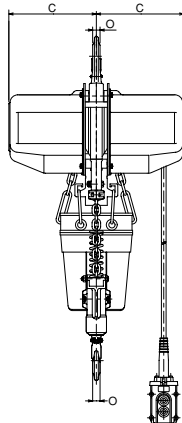
250kg~0.5t



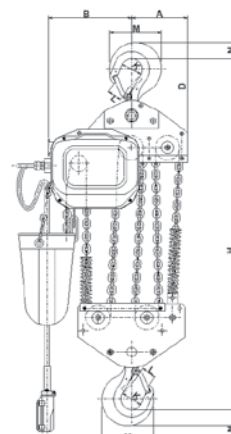
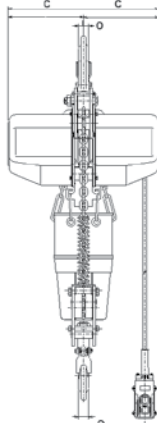
1t



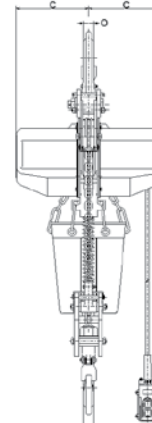
1t w - 2t



3t



5t



SPECIFICATIONS - SA TYPE HOOK SUSPENSION

Model	W.L.L. (lbs)	W.L.L. (mt)	Test Load (mt)	Standard Lift (ft)	Standard Push Button Cord Length (ft)	Load Chain Dia. X Number of Falls	Lifting Motor Output (H.P.)	Lifting Speed (ft/min)		Min. Distance H (in)	Net Weight
								50Hz	60Hz		
SA-0.25	550	250kg	312.5 kg	10	8	6.3 x 1	0.61	23	27.5	21.85	95
SA-0.5	1100	0.5	0.625	10	8	6.3 x 1	0.61	11.5	13.5	21.85	95
SA-1W	2200	1	1.25	10	8	6.3 x 2	0.61	6	7	26.38	102
SA-1S	2200	1	1.25	10	8	7.1 x 1	1.21	9	10	23.2	136
SA-2	4400	2	2.5	10	8	7.1 x 2	1.21	4	5	29.33	152
SA-3	6600	3	3.75	10	8	7.1 x 3	1.21	3	3.3	33.07	191
SA-5	11000	5	6.25	10	8	7.1 x 5	1.21	1.7	2	38.2	248

DIMENSIONS (IN.) - SA TYPE HOOK SUSPENSION

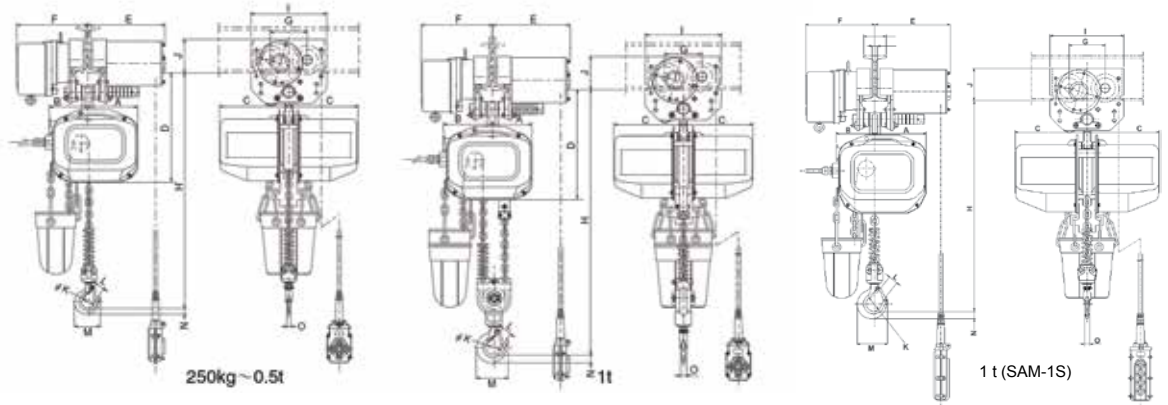
W.L.L. (lbs)	W.L.L. (mt)	A	B	C	D	K	L	M	N	O
550	250kg	6.34	4.88	8.82	12.24	1.69	1.04	3.31	0.75	0.55
1100	0.5	6.34	4.88	8.82	12.24	1.69	1.04	3.31	0.75	0.55
2200	1	5	6.22	8.82	12.97	1.97	1.22	4.06	0.98	0.75
2200	1	6.7	5.04	9.4	5.04	1.96	1.22	3.86	0.98	0.75
4400	2	5.24	6.5	9.4	6.5	2.56	1.5	5.33	1.38	1.02
6600	3	5.82	8.19	9.4	16.8	2.36	1.7	6.5	1.93	1.26
11000	5	7.2	10.74	9.4	19.2	2.76	1.85	6.69	2.08	1.4

*Contact Factory For Additional Information





SAM TYPE 1 SPEED HOIST, 1 SPEED MOTORIZED TROLLEY



SPECIFICATIONS - SAM TYPE (SINGLE SPEED) ELECTRIC CHAIN HOIST WITH ELECTRIC TROLLEY

Model	W.L.L. (lbs)	W.L.L. (mt)	Test Load (mt)	Standard Lift (ft)	Traversing Motor Output (H.P.)	Traversing Speed (ft/min)		Min. Distance H (in) Hook : Lug	Traversing I-Beam Width (in)	Trolley Min. Radius (in)	Net Weight (lbs)
						50Hz	60Hz				
SAM-0.25	550	250kg	312.5 kg	10	0.41	32	39	27.36 (23.62)	2.95 - 5.91	43.31	163
SAM-0.5	1100	0.5	0.625	10		32	39	27.36 (23.62)			
SAM-1	2200	1	1.25	10		32	39	31.89 (27.76)			
SAM-1S	2200	1	1.25	10		32	39	28.74(24.61)			

DIMENSIONS (IN.) - SAM TYPE (SINGLE SPEED) ELECTRIC CHAIN HOIST WITH ELECTRIC TROLLEY

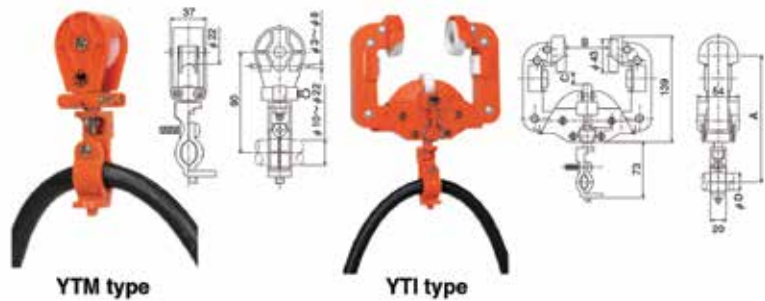
W.L.L. (lbs)	W.L.L. (mt)	A	B	C	D	E	F	G	I	J	K	L	M	N	O	P (Dia. of Wheel)
550	250kg	6.34	4.88	8.82	17.97	9.88	8.6	4.72	9.69	4.49	1.69	1.04	3.31	0.75	0.55	2.68
1100	0.5	6.34	4.88	8.82	17.97	9.88	8.6	4.72	9.69	4.49	1.69	1.04	3.31	0.75	0.55	2.68
2200	1	5	6.22	8.82	20.91	9.88	8.6	4.72	9.69	4.49	1.97	1.22	4.06	0.98	0.75	2.68
2200S	1	6.69	5.04	9.41	19.25	9.88	8.6	4.72	9.69	4.49	1.97	1.22	4.06	0.98	0.75	2.68

EMERGENCY STOP BUTTON

Standard Feature On Single Phase Units



CABLE HANGER



DIMENSIONS (IN.) - CABLE HANGER

Model	I-Beam Width	A	B	C	D (Cable Dia.)
YTI-100	2.95	6.54	1.26	0.59	0.39 - 0.87
	3.94	6.54	2.24	0.59	0.39 - 0.87
YTI-150	4.92	6.54	3.23	0.98	0.39 - 0.87
	5.91	6.54	4.21	0.98	0.39 - 0.87





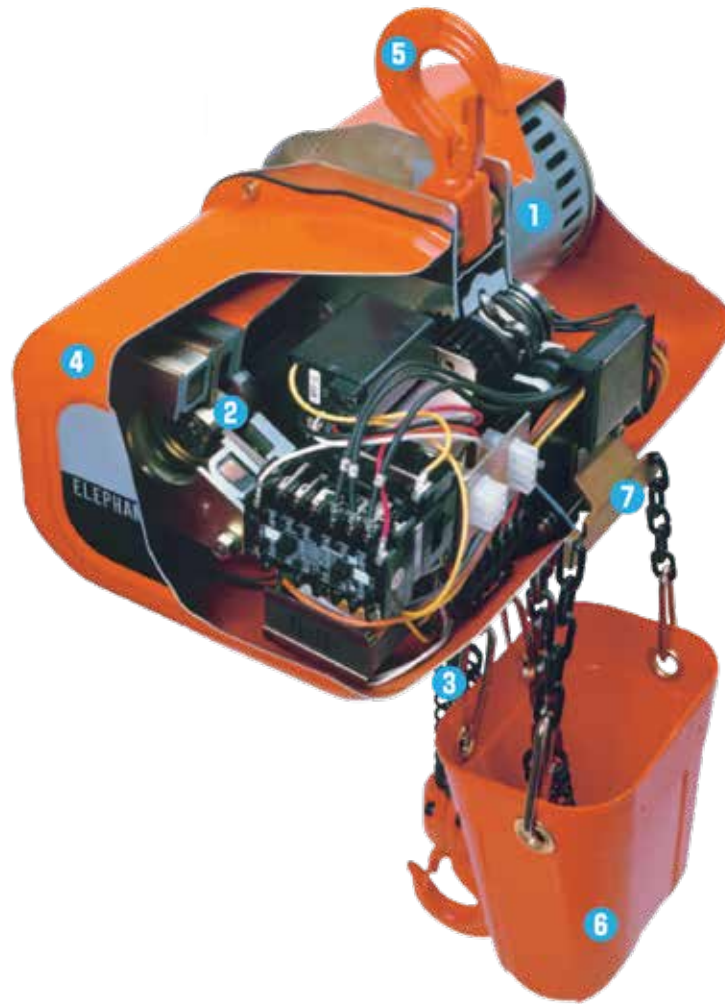
ELECTRIC CHAIN HOIST FA TYPE 1 SPEED, 3 PHASE DUAL VOLTAGE & FB TYPE 2 SPEED, 3 PHASE SINGLE VOLTAGE

Optional Overload Limit Device for the FA and FB Hoists

Our new Torcon overload protection device is a slip clutch style. In the event of an overload, the device actuates and prevents the hoist from continuing to lift. This mechanism protects the hoist from damage.

- MAS series motorized trolley, three phase, single speed, slower traversing speed, for combination with the FA series electric chain hoists
- MAF series motorized trolley, three phase, single speed, faster traversing speed, for combination with the FA series electric chain hoists
- MB series motorized trolley, three phase, dual speed, for combination with the FA series electric chain hoists
- Trolleys come with pivoting adapter for hook to hook type suspension or lug type suspension

Wiring - Simple Plug-In Type Connection



FEATURES OF FA/FB

1 Tough, Heavy-Duty Motor

Elephant's unique design for a lower power consumption.

	Insulation class	Short time duty
FA	E	30 minutes
FB	E	30 minutes (high speed)
		15 minutes (low speed)

2 Reliable Electro-Magnetic DC Brake The brake safety factor is more than 3 times of the rated load. A safe electromagnetic, power off brake type. The safe 'power off brake' holds a load when electric power is either accidentally lost, or intentionally disconnected.

3 Highly durable load chain manufactured in Japan by Elephant

4 Totally Enclosed Steel Plate Construction

5 Durable top and bottom hooks

Bottom hook with bearing smoothly swivels, 360°. In the event of an overload, the hook gradually elongates. This elongation serves as an indicator to the end user, making them aware of the overload.

6 Chain Bucket Hard plastic

7 Limit switch Standard feature

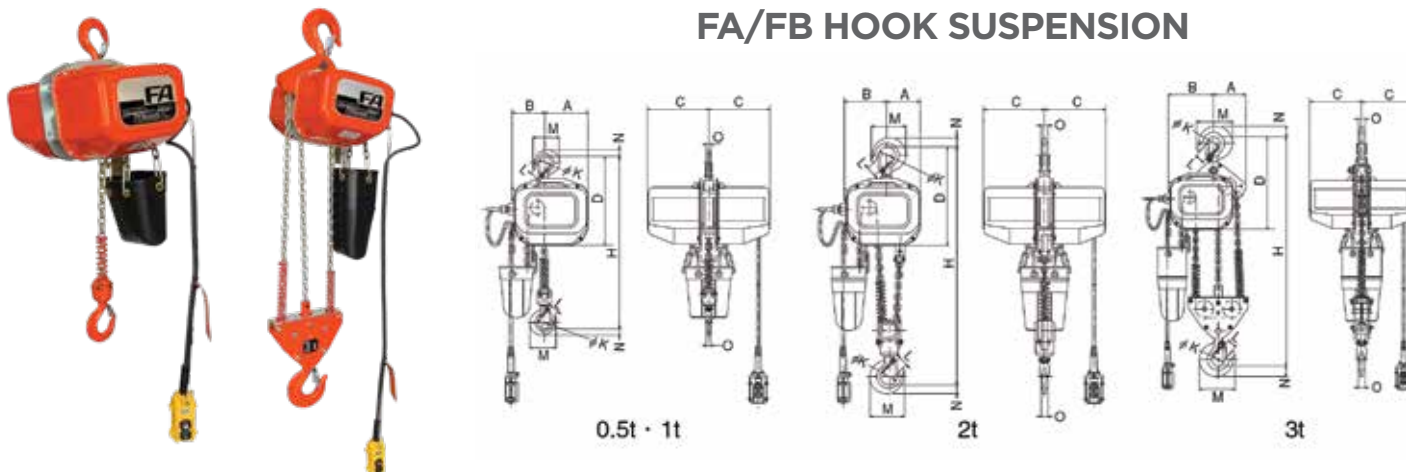
8 Ratings JIS/ISO M4, FEM 1AM, ASME H3 Motor, IP54 Hoist Protection, IP65 NEMA 4X Pendant Protection

9 Temperature Range -10° to 40° C, 14° to 104° F

10 CSA Compliant Hoist available upon request, excludes motorized trolley



FA/FB HOOK SUSPENSION



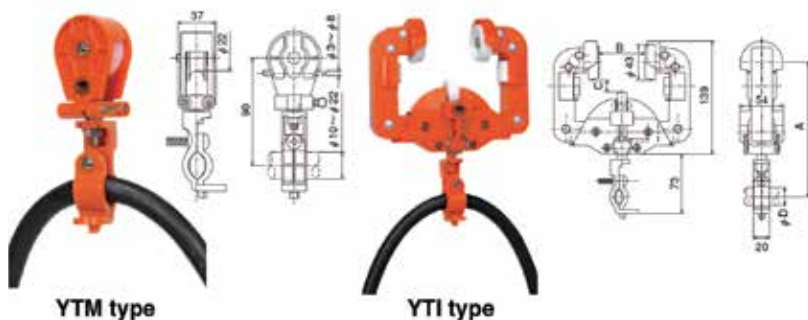
SPECIFICATIONS - FA/FB TYPE HOOK SUSPENSION

Model	W.L.L. (lbs)	W.L.L. (mt)	Test Load (mt)	Standard Lift (ft)	Standard Push Button Cord Length (ft)	Load Chain Dia. X Number of Falls	Lifting Motor Output (H.P.), (FB) High: Low Speed	Lifting Spd. (ft/min) (FB) High:Low speed		Min. Distance H (in)	Net Weight (lbs)
								50Hz	60Hz		
FA-0.5	1100	0.5	0.625	10	8	6.3 x 1	1.22	23	27.5	21.85	95
FA-1	2200	1	1.25	10	8	7.1 x 1	2.18	20	24.5	23.23	123
FA-2	4400	2	2.5	10	8	7.1 x 2	2.18	10	12.5	29.33	141
FA-3	6600	3	3.75	10	8	7.1 x 3	2.18	7	8	33.07	183
FA-5	11000	5	6.25	10	8	7.1 x 5	2.18	4.1	4.8	38.2	246
FB-0.5	1100	0.5	0.625	10	8	6.3 x 1	1.22 : 0.34	23 / 6	27.5 / 7	21.85	97
FB-1	2200	1	1.25	10	8	7.1 x 1	2.18 : 0.54	21 / 5	24.6 / 6	23.23	126
FB-2	4400	2	2.5	10	8	7.1 x 2	2.18 : 0.54	10 / 1.6	12.5 / 3	29.33	143
FB-3	6600	3	3.75	10	8	7.1 x 3	2.18 : 0.54	7 / 1.6	8 / 2	33.07	185
FB-5	11000	5	6.25	10	8	7.1 x 5	2.18 : 0.54	4.1	4.8/1.2	38.2	246

DIMENSIONS (IN.) - FA/FB TYPE HOOK SUSPENSION

W.L.L. (lbs)	W.L.L. (mt)	A	B	C	D	K	L	M	N	O
1100	0.5	6.34	4.88	8.82	12.46	1.69	1.04	3.31	0.75	0.55
2200	1	6.69	5.04	9.41	13.74	1.97	1.22	4.09	0.98	0.75
4400	2	5.24	6.5	9.41	15.22	2.56	1.5	5.33	1.38	1.02
6600	3	5.83	8.19	9.41	16.81	2.36	1.69	6.5	1.93	1.26
11000	5	7.2	10.74	9.4	19.2	2.76	1.85	6.7	2.08	1.38

CABLE HANGER



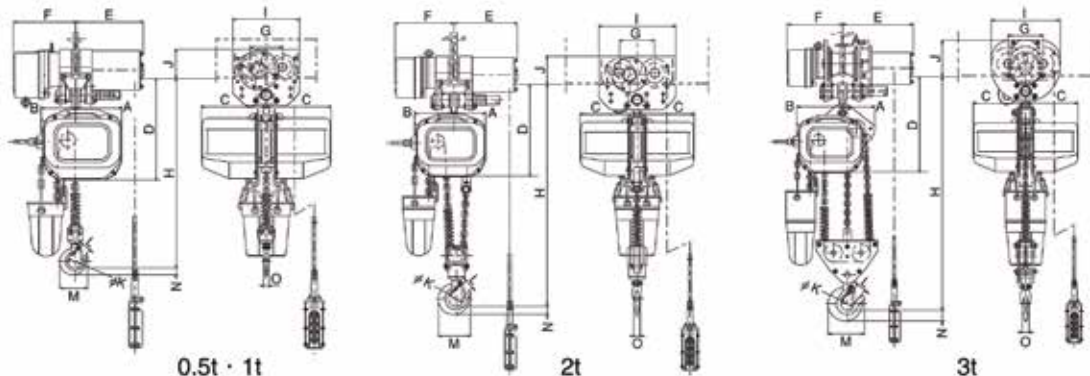
DIMENSIONS (IN.) - CABLE HANGER

Model	I-Beam Width	A	B	C	D (Cable Dia.)
YTI-100	2.95	6.54	1.26	0.59	0.39 - 0.87
	3.94	6.54	2.24	0.59	0.39 - 0.87
YTI-150	4.92	6.54	3.23	0.98	0.39 - 0.87
	5.91	6.54	4.21	0.98	0.39 - 0.87





FAMB/FBMB 1 SPEED & 2 SPEED HOIST, WITH 1 SPEED MOTORIZED TROLLEY



SPECIFICATIONS - FAM/FBM 1 SPEED & 2 SPEED HOIST, 1 SPEED & 2 SPEED MOTORIZED TROLLEY

Model	W.L.L. (lbs)	W.L.L. (mt)	Standard Lift (ft)	Lifting Speed (ft/min) (FB) High:Low Speed		Traversing Motor Output (H.P.)	Traversing Speed (ft/min)		Min. Distance H (in) Hook : Lug	Traversing I-beam Width	Trolley Min. Radius (in)	Net Weight (lbs)
				50Hz	60Hz		50Hz/60Hz	50Hz/60Hz				
FAM-0.5	1100	0.5	10	23	27.5	0.54	65 / 78 MAF type	32 / 39 MAS type	27.36 (23.62)	2.95-5.91	43.31	163
FAM-1	2200	1	10	20	24.5				28.74 (24.61)			
FAM-2	4400	2	10	10	12.5				35.83 (29.53)			
FAM-3	6600	3	10	7	8				40.16 (33.86)			
FAM-5	11000	5	10	*	4.8				38.8			
FBM-0.5	1100	0.5	10	23 / 6	27.5 / 7	0.54	65 / 78 MAF type	32 / 20 MAS type	27.36 (23.62)	2.95-5.91	43.31	165
FBM-1	2200	1	10	21 / 5	24.6 / 6				28.74 (24.61)			
FBM-2	4400	2	10	10 / 1.6	12.5 / 3				35.83 (29.53)			
FBM-3	6600	3	10	7 / 1.6	8 / 2				40.16 (33.86)			
FBM-5	11000	5	10	*	4.8 / 1.2				38.8			

DIMENSIONS (IN.) - FAM/FBM 1 SPEED & 2 SPEED HOIST, 1 SPEED & 2 SPEED MOTORIZED TROLLEY

W.L.L. (lbs)	W.L.L. (mt)	A	B	C	*D	*E	*F	G	I	*J	K	L	M	N	O	P (dia. of wheel)
1100	0.5	6.34	4.88	8.82	17.97	9.88 (10.94)	8.6	4.72	9.69	4.49	1.69	1.04	3.31	0.75	0.55	2.68
2200	1	6.69	5.04	9.41	19.25	9.88 (10.94)	8.6	4.72	9.69	4.49	1.97	1.22	4.06	0.98	0.75	2.68
4400	2	5.24	6.5	9.41	21.65	10.51 (11.57)	9.72	5.83	12.76	5.39	2.56	1.5	5.33	1.38	1.02	3.29
6600	3	5.83	8.19	9.41	22.91	12.76 (15.75)	9.92	6.3	12.44	7.13	2.36	1.69	6.5	1.93	1.26	3.86
11000	5	7.2	10.74	9.4	19.9	16.5	10.62	6.7	13.2	6.77	2.76	1.77	6.7	2.08	1.38	3.9

FAMB/FBMB 1 SPEED & 2 SPEED HOIST, WITH 2 SPEED MOTORIZED TROLLEY

SPECIFICATIONS - FAMB/FBMB 1 SPEED & 2 SPEED HOIST, 2 SPEED MOTORIZED TROLLEY

Model	W.L.L. (lbs)	W.L.L. (mt)	Standard Lift (ft)	Lifting Speed (ft/min) (FB) High:Low Speed		Traversing Motor Output (H.P.)	Traversing Speed (ft/min)		Min. Distance H (in) Hook : Lug	Traversing I-beam Width	Trolley Min. Radius (in)	Net Weight (lbs)
				50Hz	60Hz		50Hz	60Hz				
FAMB-0.5	1100	0.5	10	23	27.5	0.54	[16] [65] MB type	[19] [78] MB type	27.36 (23.62)	2.95-5.91	43.31	163
FAMB-1	2200	1	10	20	24.5				28.74 (24.61)			
FAMB-2	4400	2	10	10	12.5				35.83 (29.53)			
FAMB-3	6600	3	10	7	8				40.16 (33.86)			
FAMB-5	11000	5	10	*	4.8				38.8			
FBMB-0.5	1100	0.5	10	23 / 6	27.5 / 7	1.54	[16] [65] MB type	[19] [78] MB type	27.36 (23.62)	2.95-5.91	43.31	165
FBMB-1	2200	1	10	21 / 5	24.6 / 6				28.74 (24.61)			
FBMB-2	4400	2	10	10 / 1.6	12.5 / 3				35.83 (29.53)			
FBMB-3	6600	3	10	7 / 1.6	8 / 2				40.16 (33.86)			
FBMB-5	11000	5	10	*	4.8 / 1.2				38.8			

DIMENSIONS (IN.) - FAMB/FBMB 1 SPEED & 2 SPEED HOIST, 2 SPEED MOTORIZED TROLLEY

W.L.L. (lbs)	W.L.L. (mt)	A	B	C	*D	*E	*F	G	I	*J	K	L	M	N	O	P (dia. of wheel)
1100	0.5	6.34	4.88	8.82	17.97	9.88 (10.94)	8.6	4.72	9.69	4.49	1.69	1.04	3.31	0.75	0.55	2.68
2200	1	6.69	5.04	9.41	19.25	9.88 (10.94)	8.6	4.72	9.69	4.49	1.97	1.22	4.06	0.98	0.75	2.68
4400	2	5.24	6.5	9.41	21.65	10.51 (11.57)	9.72	5.83	12.76	5.39	2.56	1.5	5.33	1.38	1.02	3.29
6600	3	5.83	8.19	9.41	22.91	12.76 (15.75)	9.92	6.3	12.44	7.13	2.36	1.69	6.5	1.93	1.26	3.86
11000	5	7.2	10.74	9.4	19.9	16.5	10.62	6.7	13.2	6.77	2.76	1.77	6.7	2.08	1.38	3.9

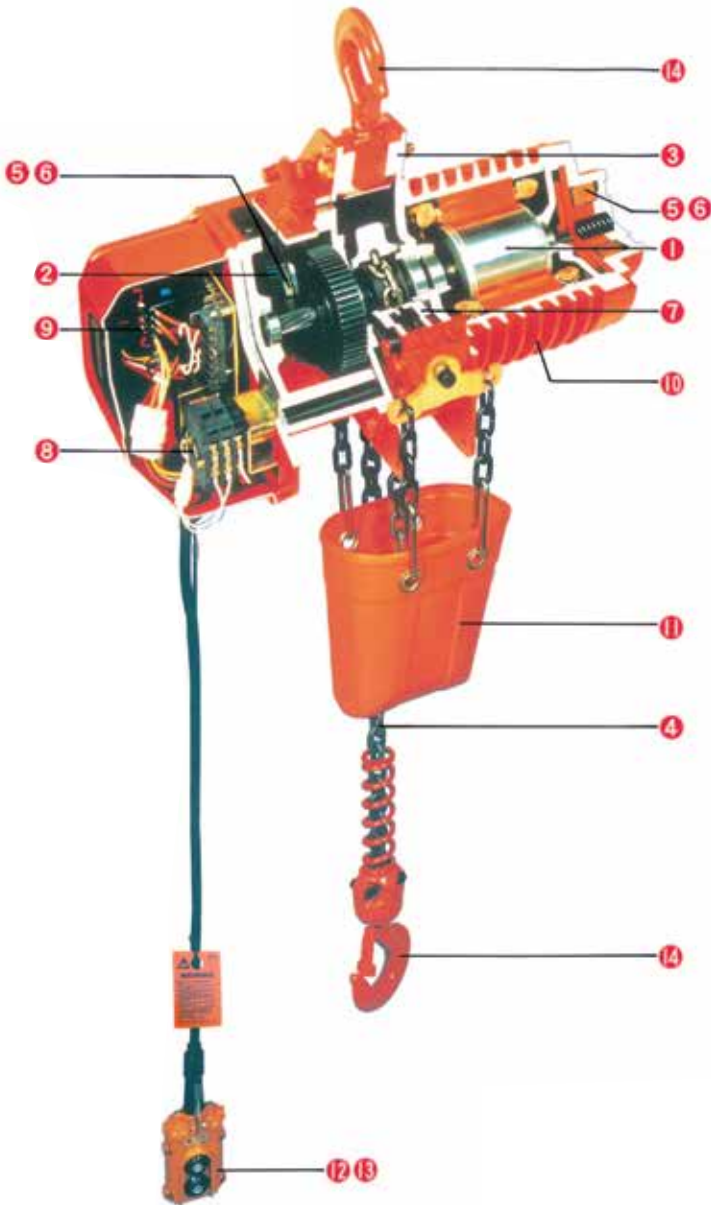
* Contact the Factory for Additional Information





**ELECTRIC CHAIN
HOIST DA TYPE
1 SPEED, 3 PHASE
SINGLE VOLTAGE
&
DB TYPE 2 SPEED,
3 PHASE SINGLE
VOLTAGE**

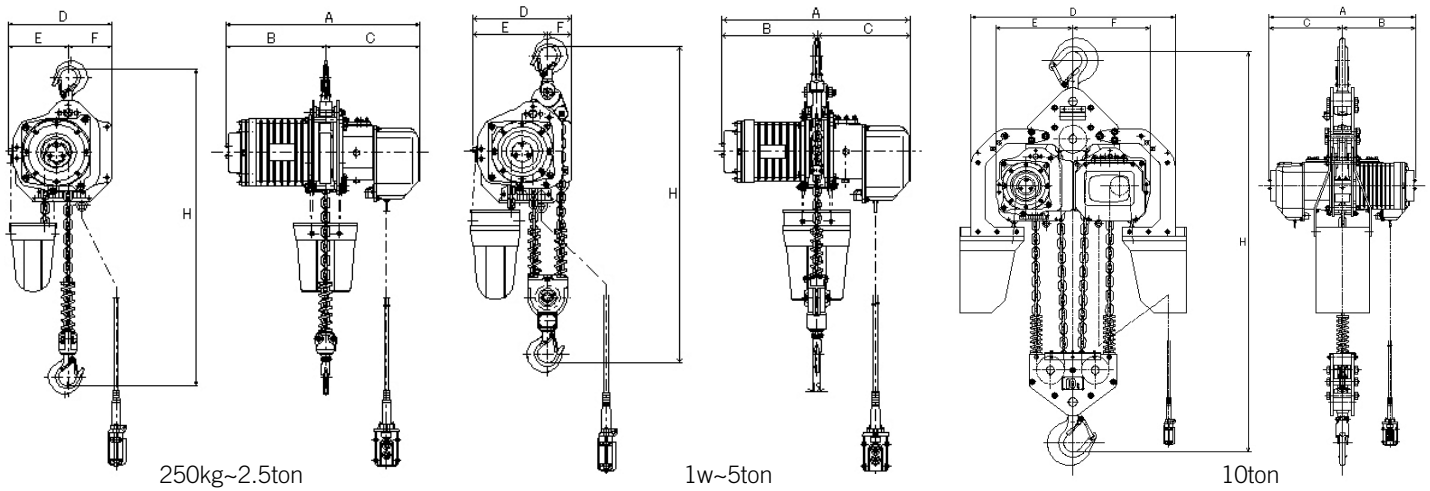
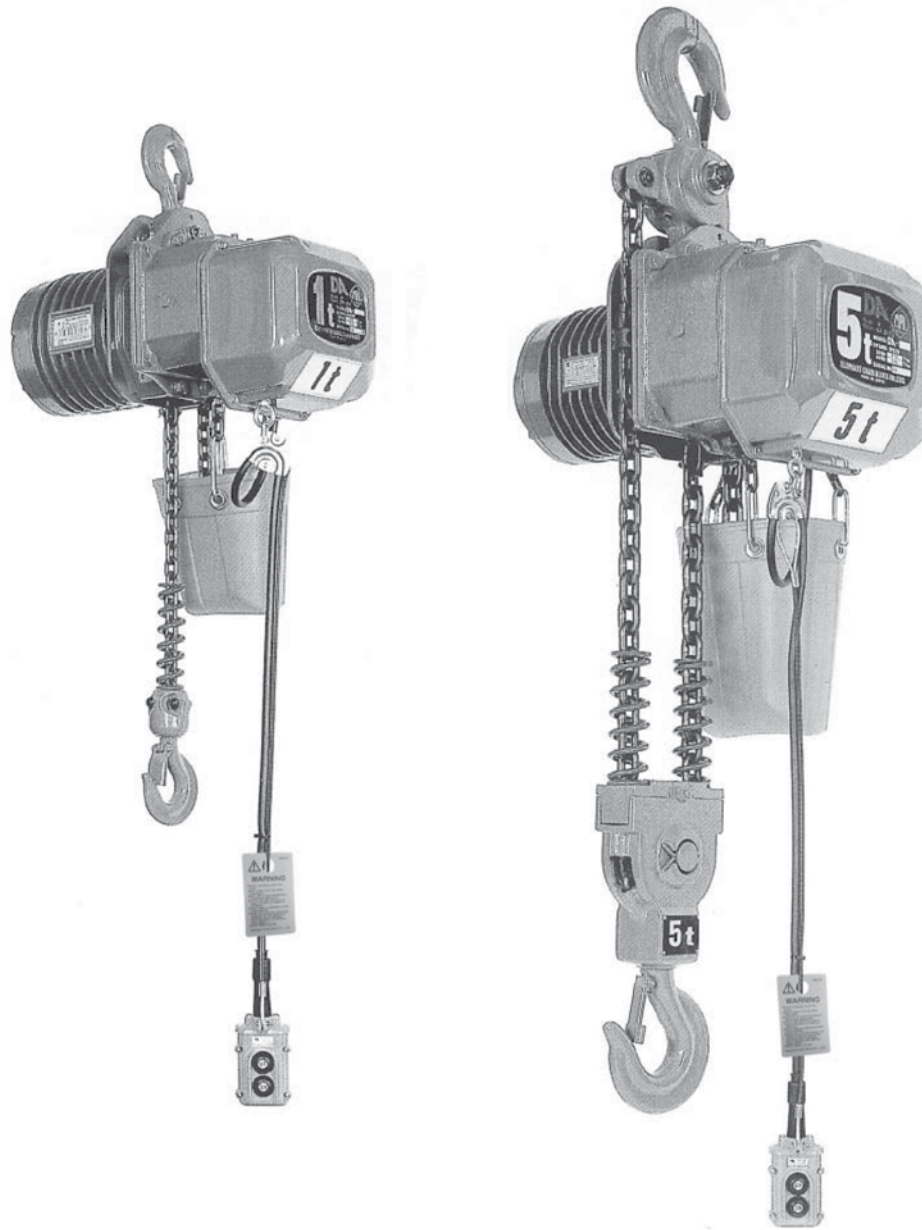




Features of the DA/DB Electric Chain Hoist

- ① An efficient motor that offers high lift speeds**
The DA/DB series hoist features a newly developed motor for severe conditions, which allows it to operate continuously for long periods of time with frequent starts within an hour cycle. These lifting speeds were engineered to be as fast as possible to ensure efficiency.
- ② Quiet operation with a sealed protective body against dust**
Durable helical gears & an oil bath style gear case make these units quiet during operation.
- ③ Solid steel side plates for a rugged heavy duty construction**
- ④ Highly durable load chain**
Our surface hardened load chain is manufactured within our factory in Osaka, Japan and is in compliance with ISO standard grade T, offering a satisfactory degree of breaking strength, wear resistance, and impact absorption. We can also offer load chain of a higher corrosion resistance upon request.
- ⑤ Safe DOUBLE BRAKE design**
A mechanical brake and motor brake – the electric-magnetic brake is combined with a mechanical brake to constitute a complete double brake system. Even the former alone has enough capacity to hold a static safe working load!
- ⑥ DC brake and motor with low power consumption**
A DC solenoid is used for the electro-magnetic brake. This lowers the electrical consumption throughout the operation of the electric chain hoist.
- ⑦ A safer chain guide with our unique design**
The DA/DB series is designed so that the chain guide's rotation on the load sheave transmits to the electrical limit switch. The electric limit switch automatically stops the operation of the hoist in the event that the load chain is raised or lowered to the chain's end. In this case, the limit switch would also engage if dust or foreign matters remain pressed within the pockets of the load sheave.
- ⑧ Reliable double-action limit switch**
Electrical limit switch for this model acts in two steps. In the first step the limit switch breaks the operating circuit. Then within the second step, the limit switch breaks the main circuit. Ensuring the hoist ceases operation.
- ⑨ Negative phase contactor and a highly efficient magnetic contact with a mechanical & electrical interlock**
- ⑩ Motor frame**
The motor frame is constructed with high quality aluminum cooling fins which help reduce the rise of temperature within the motor
- ⑪ Durable chain container**
- ⑫ Pendant control switch is set at 24v for safe operation**
- ⑬ Push-push button style pendant for the DB models**
- ⑭ Top and bottom hooks with safety latch**
Designed to gradually open and not break suddenly in the event of an overload. A compact thrust bearing also helps to prevent the load chain from twisting.
- ⑮ Ratings**
JIS / ISO M5, FEM 2M, ASME H3 Motor, IP54 Hoist Protection, IP65 NEMA 4X Pendant Protection
- ⑯ Temperature range**
-20° to 40° C, -4° to 104° F





SPECIFICATIONS - DA/DB HEAVY DUTY ELECTRIC CHAIN HOIST

Model	W.L.L. (lbs)	W.L.L. (mt)	Test Load (mt)	Standard Lift (ft)	Load Chain Dia (mm) x Number of Falls	Lifting Motor Output (H.P.) (DB) High: Low Speed	Lifting Speed (ft/min) (DB) High:Low Speed		Minimum Distance H (in)	Ampere (A)	Net Wt. (lbs) 10' : 20'
							50Hz	60Hz			
DA-0.25	550	0.25	0.313	10 20	5.6 x 1	0.68	26	31	20.4	2.5	112 : 116
DA-0.5	1100	0.5	0.625	10 20	6.3 x 1	1.22	24	28	20.8	4.5	123 : 130
DA-1W	2200	1	1.25	10 20	6.3 x 2	1.22-0.41	12	14	27.7	4.5	139 : 152
DA-1S	2200	1	1.25	10 20	7.1 x 1	2.31	22	27	23	8.7	158 : 168
DA-1.5	3500	1.5	1.88	10 20	9.5 x 1	4.62	29	34	28.7	15.3	265 : 280
DA-2W	4400	2	2.5	10 20	7.1 x 2	2.31	11	13	31	8.7	185 : 201
DA-2S	4400	2	2.5	10 20	11.2 x 1	4.62	23	27	28.7	15.3	273 : 293
DA-2.5	5500	2.5	3.13	10	11.2 x 1	4.62	18	21	28.7	15.3	282
DA-3	6600	3	3.75	10	9.5 x 2	4.62	14	17	37	15.3	320
DA-5	11000	5	6.25	10	11.2 x 2	4.62	9	11	40.5	15.3	359
DA-10	22000	10	12.5	10	11.2 x 4	4.62 x 2	9	10	54.7	15.3	873
DB-0.25	550	0.25	0.313	10 20	5.6 x 1	0.68 : 0.23	26 : 9	31 : 10	20.4	2.6	123 : 130
DB-0.5	1100	0.5	0.625	10 20	6.3 x 1	1.22 : 0.41	24 : 8	28 : 9	20.8	4.7	137 : 146
DB-1W	2200	1	1.25	10 20	6.3 x 2	1.22 : 0.41	12 : 4	14 : 5	27.7	4.7	152 : 168
DB-1S	2200	1	1.25	10 20	7.1 x 1	2.31 : 0.77	22 : 7	27 : 9	23	9.2	174 : 185
DB-1.5	3500	1.5	1.88	10 20	9.5 x 1	4.62 : 1.55	29 : 10	34 : 11	28.7	16	300 : 317
DB-2W	4400	2	2.5	10 20	7.1 x 2	2.31 : 0.77	11 : 4	13 : 4	31	9.2	203 : 220
DB-2S	4400	2	2.5	10 20	11.2 x 1	4.62 : 1.55	23 : 8	27 : 9	28.7	16	311 : 331
DB-2.5	5500	2.5	3.13	10	11.2 x 1	4.62 : 1.55	18 : 6	21 : 7	28.7	16	317
DB-3	6600	3	3.75	10	9.5 x 2	4.62 : 1.55	14 : 5	17 : 6	37	16	357
DB-5	11000	5	6.25	10	11.2 x 2	4.62 : 1.55	9 : 3	11 : 3	40.5	16	394

* Current Ampere Depends on the Voltage and Length of Power Cord

* The Length of Power Cord 4Core Cable is 16'

* Standard Push Button Cord is 2' Less than Lift

* If You Require 6 Button Pendant Control in Place of 4 Button, a "C" Should be Added to the End of the Model Name

DIMENSIONS (IN.) - DA/DB HEAVY DUTY ELECTRIC CHAIN HOIST

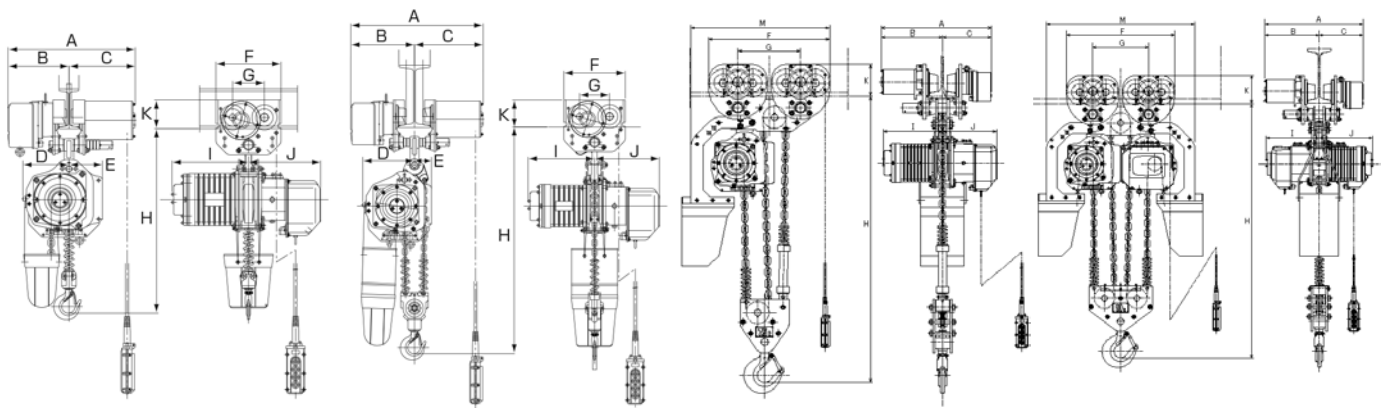
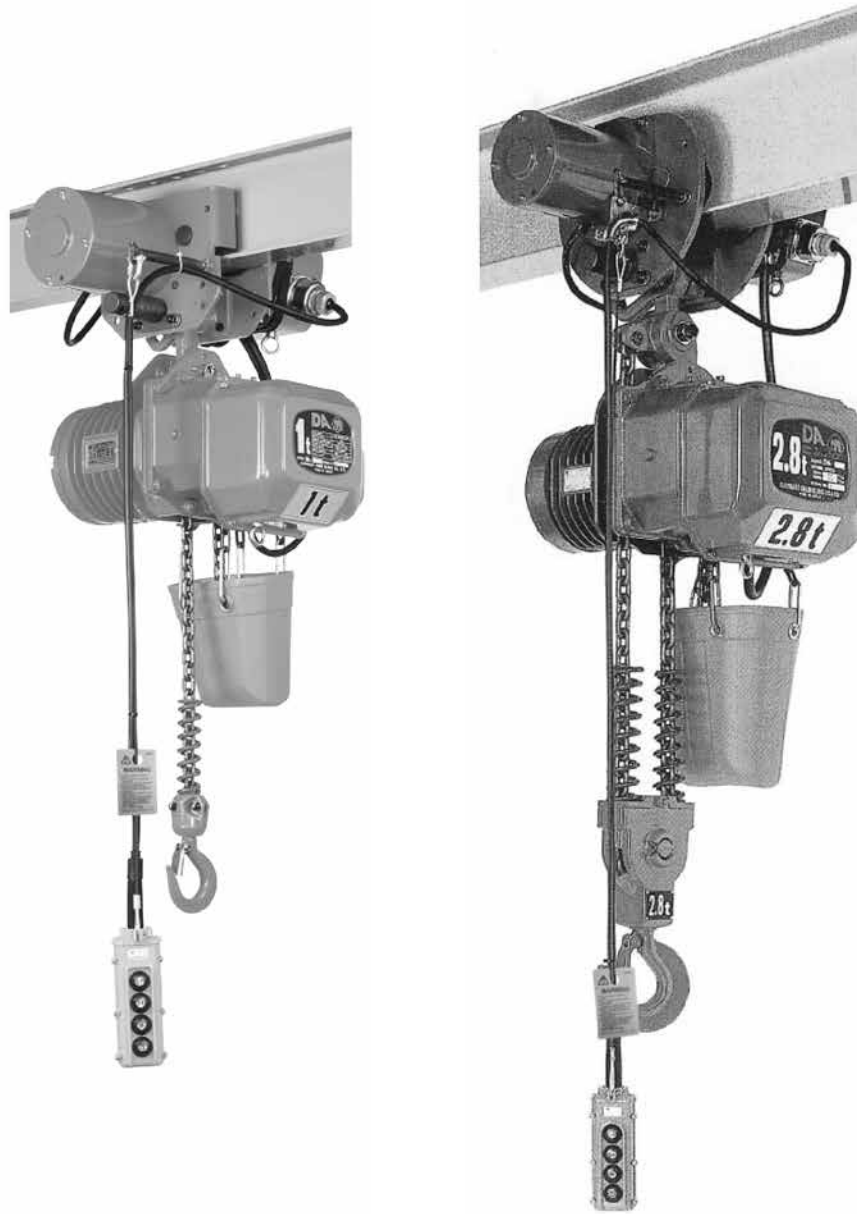
Model	A	B	C	D	E	F
DA / DB-0.25	20.7 / 22.1	10.5 / 10.8	10.2 / 11.3	10.8	6.6	4.2
DA / DB-0.5	20.7 / 23.2	10.5 / 11.9	10.2 / 11.3	10.8	6.6	4.2
DA / DB-1W	20.7 / 23.2	10.5 / 11.9	10.2 / 11.3	10.8	8.1	2.6
DA / DB-1S	22.2 / 24.3	11.4 / 12.6	10.7 / 11.7	11.8	6.8	5
DA / DB-1.5	25.7 / 28.2	13.4 / 14.6	12.3 / 13.5	14.6	7.8	6.8
DA / DB-2W	22.2 / 24.3	11.4 / 12.6	10.7 / 11.7	11.8	8.6	3.2
DA / DB-2S	25.7 / 28.2	13.4 / 14.6	12.3 / 13.5	14.6	7.8	6.8
DA / DB-2.5	25.7 / 28.2	13.4 / 14.6	12.3 / 13.5	14.6	7.8	6.8
DA / DB-3	25.7 / 28.2	13.4 / 14.6	12.3 / 13.5	14.6	10.1	4.4
DA / DB-5	25.7 / 28.2	13.4 / 14.6	12.3 / 13.5	14.7	10.7	4.02
DA-10	26.9	13.4	13.4	37.8	10.7	*

* The Dimensions D and E Depends on the Lift

* For Top and Bottom Hook Specifications See Page 51

* Specifications and Dimensions are Subject to Change Without Notice





250kg~2.5ton

The drawing of electric trolley 2.5t is different from above drawing.

1w~5ton

The drawing of electric trolley 3t, 5t is different from above drawing.

7.5ton

10ton



SPECIFICATIONS - DAM/DBM HEAVY DUTY ELECTRIC CHAIN HOIST

Model	W.L.L. (lbs)	W.L.L. (mt)	Test Load (mt)	Standard Lift (ft)	Lifting Motor Output (H.P.) (DB) High:Low Speed	Traversing Motorized Trolley Motor Output (H.P.)	Lifting Speed (ft/min) (DB) High:Low Speed		Traversing Speed (ft/min)		Minimum Distance H (in)	Traversing Motorized Trolley Beam Range (in)	Trolley Min. Radius (in)	Net Wt. (lbs)	
							50Hz	60Hz	High Speed 50 Hz / 60 Hz	Low Speed 50 Hz / 60 Hz					
DAM-0.25	550	0.25	0.313	10 20	0.68	0.54	26	31	65 / 78	33 / 39	22.4	2.95 - 5.91	43.3 [31.4]	161	
DAM-0.5	1100	0.5	0.625	10 20	1.22		24	28						22.8	165
DAM-1W	2200	1	1.25	10 20	1.22		12	14						29.1	203
DAM-1S	2200	1	1.25	10 20	2.31		22	27						24.4	223
DAM-1.5	3500	1.5	1.88	10 20	4.62		29	34			30.7	434			
DAM-2W	4400	2	2.5	10 20	2.31		11	13			31.2		273		
DAM-2S	4400	2	2.5	10 20	4.62		23	27			28.9		434		
DAM-2.5	5500	2.5	3.13	10	4.62		18	21			29.5		423		
DAM-3	6600	3	3.75	10	4.62		1.02	14			17	37.8	461		
DAM-5	11000	5	6.25	10	4.62		9	11			41.3	59 [39.4]	542		
DAM-7.5	16500	7.5	9.38	10	4.62	1.02 x 2	6	7	47.4	5.00 - 7.00	* 1058				
DAM-10	22000	10	12.5	10	4.62 x 2	9	10	46.6		*	1365				
DBM-0.25	550	0.25	0.313	10 20	0.68 : 0.23	0.54	26 : 9	31 : 10	65 / 78	33 / 39	22.4	2.95 - 4.92	43.3 [39.4]	192	
DBM-0.5	1100	0.5	0.625	10 20	1.22 : 0.41		24 : 8	28 : 9						22.8	201
DBM-1W	2200	1	1.25	10 20	1.22 : 0.41		12 : 4	14 : 5						29.1	245
DBM-1S	2200	1	1.25	10 20	2.31 : 0.77		22 : 7	27 : 9						24.4	267
DBM-1.5	3500	1.5	1.88	10 20	4.62 : 1.55		29 : 10	34 : 11			30.7	59 [31.4]	470		
DBM-2W	4400	2	2.5	10 20	2.31 : 0.77		11 : 4	13 : 4			31.2		317		
DBM-2S	4400	2	2.5	10 20	4.62 : 1.55		23 : 8	27 : 9			28.9		478		
DBM-2.5	5500	2.5	3.13	10	4.62 : 1.55		18 : 6	21 : 7			29.5		461		
DBM-3	6600	3	3.75	10	4.62 : 1.55		1.02	14 : 5			17 : 6	37.8	498		
DBM-5	11000	5	6.25	10	4.62 : 1.55		9 : 3	11 : 3			41.3	4.92 - 6.89	78.7 [39.4]	580	

- * If You Require 6 Button Pendant Control in Place of 4 Button, a "C" Should be Added to the End of the Model Name
- * The Length of Power Cord 4Core Cable is 16'
- * Standard Push Button Cord is 2' Less than Lift
- * Contact the Factory for Special Beam Widths for Motorized Trolley
- * Special Motorized Trolleys Can be Supplied where the Trolley Minimum Radius is the Number Bracketed Off

DIMENSIONS (IN.) - DAM/DBM HEAVY DUTY ELECTRIC CHAIN HOIST

MODEL	A	B	C	γ	D	E	F	G	I	J	K	M
DAM / DMB-0.25	19.0+2β	9.8+β	9.0+β	2.9	6.6	4.3	9.5	4.7	10.5 / 10.9	10.3 / 11.3	4.3	-
DAM / DMB-0.5	19.0+2β	9.8+β	9.0+β	2.9	6.6	4.3	9.5	4.7	10.5 / 11.0	10.3 / 11.3	4.3	-
DAM / DMB-1W	19.0+2β	9.8+β	9.0+β	2.9	8.1	2.7	9.5	4.7	10.5 / 11.0	10.3 / 11.3	4.3	-
DAM / DMB-1S	19.0+2β	9.8+β	9.0+β	2.9	6.8	5	9.5	4.7	11.4 / 12.5	10.8 / 11.7	4.3	-
DAM / DMB-1.5	20.0+2β	10.5+β	9.7+β	3.9	7.8	6.9	11.3	5.8	13.5 / 14.6	12.3 / 13.6	4.8	-
DAM / DMB-2W	20.0+2β	10.5+β	9.7+β	3.9	8.6	3.2	11.3	5.8	11.4 / 12.5	10.8 / 11.7	4.8	-
DAM / DMB-2S	20.0+2β	10.5+β	9.7+β	3.9	7.7	6.9	11.3	5.8	13.5 / 14.6	12.3 / 13.6	4.8	-
DAM / DMB-2.5	22.5+2β	12.7+β	9.8+β	3.9	7.7	6.9	12.4	6.3	13.5 / 14.6	12.3 / 13.6	6.6	-
DAM / DMB-3	22.5+2β	12.7+β	9.8+β	3.9	10.2	4.5	12.4	6.3	13.5 / 14.6	12.3 / 13.6	6.6	-
DAM / DMB-5	24+2β	13.4+β	13.4+β	4.9	10.7	4	13.2	6.7	13.5 / 14.6	12.3 / 13.6	6.8	-
DAM-7.5 & DAM-10	24+2β	13.4+β	13.4+β	4.9	-	-	27.4	14.2	13.5 / 14.6	12.3 / 13.5	6.8	31.4 & 37.8

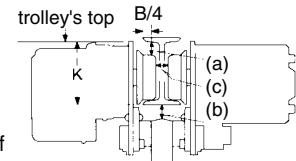
- * The Dimensions D and E Depend on the Lift
- * For the Dimensions β and γ, see page 48
- * The Dimension K is in case that "Traversing I Beam Width" is Minimum



COMBINATION OF ELECTRIC TROLLEYS WITH TRAVERSING RAILS

Trolley model W.L.L. (ton) (number of falls)	Min. I-beam width (C)	I-beam H×B×t ₁ / t ₂ (mm) I x (cm ⁴)																								
		600×190×16/35 130000	600×190×13/25 98400	450×175×13/26 48800	450×175×11/20 39200	400×150×12.5/25 31700	400×150×10/18 24100	350×150×12/24 22400	350×150×9/15 15200	300×150×11.5/22 14700	300×150×10/18.5 12700	300×150×8/13 9480	250×125×10/19 7310	250×125×7.5/12.5 5180	200×150×9/16 4460	200×100×7/10 2170	180×100×6/10 1670	150×125×8.5/14 1760	150×75×5.5/9.5 819	125×75×5.5/9.5 538	100×75×5/8 281					
0.25 · 0.5	17	(a)								308		264			207	218	156	169	112	124	104	66	75	50		
		(b)								22		25			21	27	21	27	24	30	30	26	30	30		
1S · 1W	17	(a)					288	302	240	258	194	201	212	150	163	106	118	98	54	63						
		(b)					20	28	22	31	24	27	33	27	33	30	36	36	31	36						
1.5 · 2S · 2W	26	(a)			314	326	266	280	218	236	172	179	190	128	141		96									
		(b)			15	21	16	23	17	26	19	22	28	22	28	31										
2.5 · 3W	47	(a)			300	312	252	266	204	222	158	165	176	114	127	70										
		(b)			10	16	11	18	12	21	14	17	23	17	23	20										
5	33	(a)	426	446	294	306	246		198		152			108												
		(b)	13	23	22	18	23		24		26			29												
7.5	58	(a)	420	446	294	306	246		198		152															
		(b)	7	17	16	22	17		18		20															
10	58	(a)	426	446	294	306	246		198		152															
		(b)	7	23	16	22	17		18		20															

- For understanding the descriptions at the upper row of the Table:
 - As for the rails belonging to the blue indicated zone, the standard type trolleys can be fitted to each of them.
 - As for the rails belonging to the gray-indicated zone, such trolleys as having special dimensions to meet them must be prepared separately.
- For understanding the descriptions at the medium row of the Table:
 Each of the figures indicated at this row shows the distance [a](unit:mm) of the sketch at right side. This distance [a] may be zero or negative depending on the combination of the standard trolley with some types of rails: for this case, no figure is given here because such combination can't be put in actual application. In the case of the combination indicated with a blue figure, the trolley's top is higher than the rail's top so that the trolley may touch the ceiling suspending the rail ($H \leq K$): pay attention to this.
- For understanding the descriptions at the lower row of the Table:
 Each of the figures indicated at this row shows the distance [b](unit:mm) of the sketch at the right side. The distance [b] may be zero or negative depending on the combination of the standard trolley with some type of rails: for this case, no figure is given here because such combination can't be put in actual application. Also for the rails whose thickness t_2 is too thin to hold the rated load, no figure is given.



If there is even one blank at either of the upper, medium and lower rows of the Table, this means that such relevant rail can't be used together with the trolleys.

In this way, referring to the Table, you will see what type of rail(I beam) is suited to the trolley you have selected.

Then it is needed to check if such rail satisfies the following condition: even if it is given a 125% of the rated safety load, its deflection amount shall be 1/1200 of its support span or less. That is, the I beam to be selected shall have its moment of inertia of the longitudinal section (Ix) be as follows:

$$I_x: \text{Moment of inertia of the longitudinal section} \geq 119.1 \times W \times L^2$$

In which,

W: W.L.L.×1.25+Chain block's own weight(ton)

L: Support span(m)

For "Combination of Electric Trolleys with Traversing Rails", the following must be taken note of:

At the medium row of the table:

In the case of the combination indicated with a gray zone, the relation $H \leq K$ applies to both plain trolley and geared trolley.

In the case of the combination indicated with a blue zone, the relation $H \leq K$ applies only to the geared trolley.

* The dimensions A, B, C of the trolley will vary with the change of the traversing rail's width to be used.

The figure β in the Table can be obtained from the following equation: $\beta = 1/2x[\text{width(mm) of the traversing rail} - \gamma]$



NOTES ON THE WIRING DIAGRAM

1. Our electric chain blocks(with the trolleys included), either DA type or DB type, are usually designed to operate on the 3-phase power source.

The electrical parts used for our chain blocks are all the precision ones which can normally operate even with an accidental voltage drop (with a 10% reduction of the rated voltage)

2. As standard, our lifting motor (LM) and trolley motor (TM) are respectively assured of the following ratings.

	Kind of Insulation	Short time duty	Intermittent duty
LM	E	30 minutes	40% ED, Number of starts : 240/h
TM	E	15 minutes	25% ED, Number of starts : 240/h

In the case of the DB type, however, its rating will be like:

Short time duty		Intermittent duty	
High speed	Low speed	High speed	Low speed
30 minutes	15 minutes	40% ED, Number of starts : 240/h	20% ED, Number of starts : 120/h

3. As to the 4-core power cord, or the 7-core cable cord used for the DAGC, DBGC, DAPC or DBPC type, they are each usually of 5m in length. The cords of other length than the above, or of special dimensions, are available upon request.

4. When connecting the power cord to the power source, take care of its correct phase so that the lifting motor can rotate in UP direction and DN direction according to the push of the UP button and DN button on the control switch. If the connection phase is reversed, the negative phase protector starts to work to prevent the lifting motor from rotating in either direction. If this occurs, exchange the connection phase of the black and red leads from each other: at the time, avoid changing the wire connections in the control switch, chain block and trolley.

5. The running direction of the electric trolley and/or the saddle has been decided at the shipment, and it may be changed, at your site, by changing the wire connection at the control switch case.

HOIST CLASSIFICATION

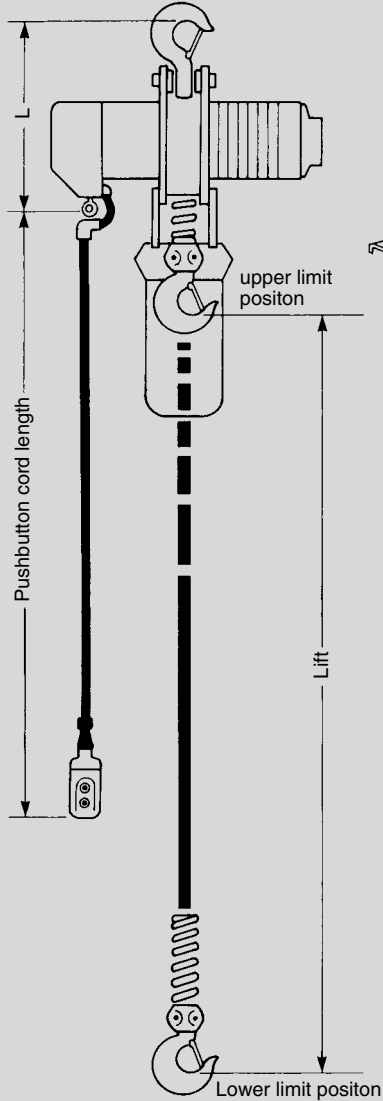
	JIS/ISO classification	FEM classification	ASME classification	International protection
DA	M5	2m	H3	IP54
DB	M5	2m	H3	IP54



DEFINITION OF WORDS

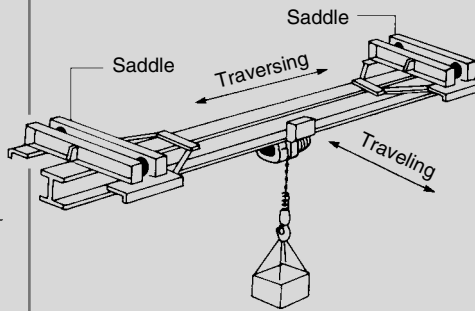
Lift and Length of Pushbutton Switch Cord

As the electric chain block is operated, its bottom hook moves up and down and the longest distance of this motion is called a "lift". In other words, the lift refers to the distance between the bottom hook's highest position (with the upper limit switch actuated) and its lowest position (with the lower limit switch actuated).
The length of the pushbutton switch cord refers to the distance between the bottom of dimension L and the lower surface of the pushbutton switch case.



Traversing, Traveling with Trolley and Saddle.

The electric chain block, while hoisting any of loads, may be moved in lateral or longitudinal direction when used in combination with a trolley or saddles which is fitted on a rail. Usually, the trolley is used for a lateral motion of the electric chain block and saddles for a longitudinal motion of it. And when the chain block moves laterally, we call it as "traversing" and when it moves longitudinally, we call it "traveling". Depending on your job requirements, the ELEPHANT electric chain blocks may be combined with different types of saddles of our own; refer to our catalog "ELEPHANT Electric Saddles".

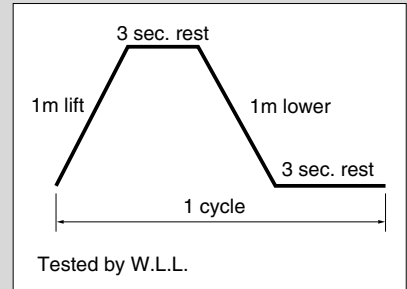


Short Time Duty Rating and Intermittent Duty Rating

As a criterion to indicate the strength and durability of our electric chain blocks. We have specified the ratings of the short time duty and intermittent duty concerning their included electric motors—see the page 49 of catalogs.

• Short Time Duty Rating

"Short time duty rating" means the limited time that the admissible temperature limit of its electric motor won't be exceeded, when the electric chain block is operated continuously on the below cycle.

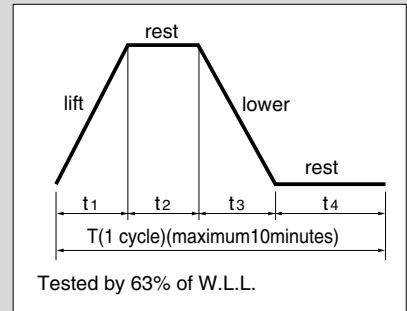


• Intermittent Duty Rating

Compared with "short time duty rating", the temperature of motor rises gradually by properly giving rests to the chain block between its operating periods (lifting and lowering). The percentage duty cycle ED is found as follows.

$$\%ED = \frac{\text{Operating periods}(t_1+t_3)}{\text{Operating} + \text{Rest periods}(T)} \times 100$$

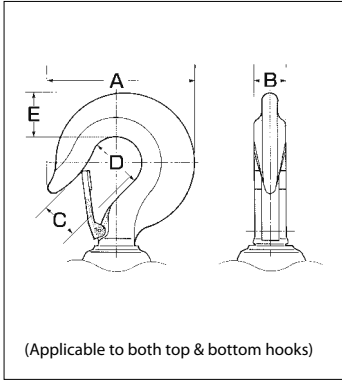
based on the maximum cycle period of 10 minutes. The number of starts/h also affects the rise of temperature. Thus these two factors are specified to show the intermittent duty rating of the electric chain block under the specification of which the electric motor can be operated safely without exceeding its admissible temperature limit.



* The specification and dimensions may be changed without prior notice for improvement.



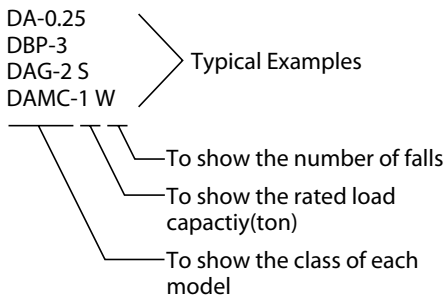
HOOK DIMENSIONS • BOTTOM HOOK WEIGHT • LOAD CHAIN WEIGHT



Max working load (mt) & number of falls	0.25	0.49	0.5	1S	1W	1.5	2S	2W	2.5	3	5	7.5	10
DIMENSION (in)	A	2.9	3.3	4.05		5.3	5.3	5.3	6.49	7.2	9.0	9.0	
	B	.59	.55	.59		1.0	1.0	1.0	1.37	1.37	1.88	1.88	
	C	1.0	1.0	1.18		1.45	1.45	1.45	1.88	2.28	2.8	2.8	
	D	1.3	1.69	1.96		2.55	2.55	2.55	2.36	2.75	3.3	3.3	
	E	.7	.7	.98		1.37	1.37	1.37	1.9	2.08	2.48	2.48	
Bottom hook weight (lbs)	1.5	1.7	3.7	8	7.7	7.7	12	7.7	25	39	143	176	
No. of fall load chain	1	1	1	2	1	1	2	1	2	2	3	4	
Load chain weight (lbs)	Per 3.2'	1.4	1.89	2.4	1.89	4.3	5.8	2.4	5.86	4.3	5.86	5.86	5.86
	Per 3.2' lift				3.79			4.85					

Hooks are produced through a hot forging process and so the dimensions may have some errors : ± 2% for 0.25 ~5t hook and ± 3% for the 7.5 and/or 10t hook.

Reading of Model/Code



Class code:

- It identifies the type (single speed or dual speed type), the number of buttons on the control switches and kinds of trolleys (electric, geared or plain). See the sketches at right.

Rated load capacity:

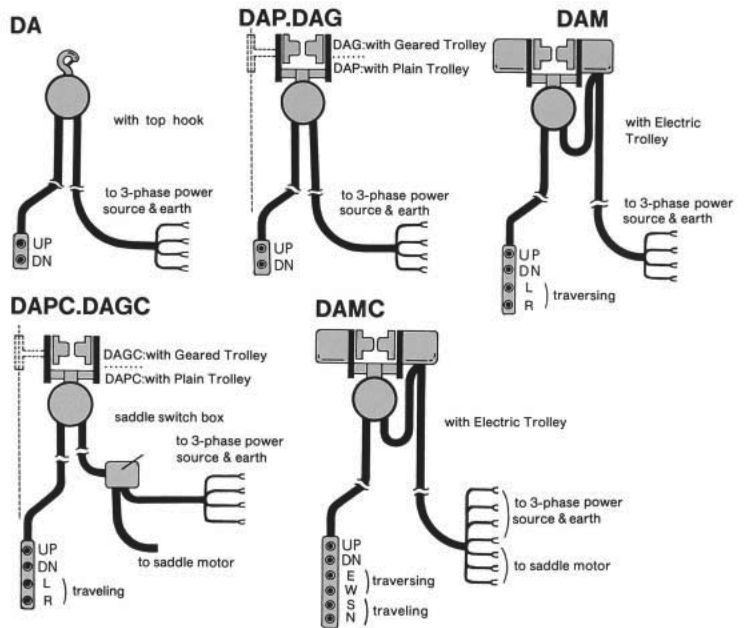
- It shows the rated load capacity(ton) of the relevant chain block.

Number of falls:

- It identifies whether the relevant chain block is the 1-fall type or the 2-fall type block(S=1, W=2).

Note: Indication of the number of falls is omitted for certain model in the case where it has been specified according to its rated load capacity.

Class Code



- Usually the pushbuttons located on the control switch are labeled as "UP", "DN", "L", "R", "E", "W", "S" and "N". The other types of labeling are available upon request.
- In the case of the dual speed type (DB type), the chain block can be wound UP and DOWN at either high speed or low speed. The UP and Down buttons are each of push-push type: at the first push, it provided low speed operation and at the second push, it provides high speed operation.

* The specification and dimensions may be changed without prior notice for improvement.



MOTORIZED TROLLEYS



- Power cord length & hoist connection cable length for all trolleys is 1' 7"
- MTS-0.5 is for Alpha Units 500kg and below.
- MTS-1 is for SA hoist 1 ton and below only
- MAS or MAF is for 3 phase hoists
- For special PB control lengths, please request at time of order
- Trolleys feature “plug & play” quick connect wiring (Alpha, Beta, & DA DB Series are hard wired)
- Power supply voltage for pendant control is 24v

Pivot type adaptor provided for hook to hook or lug mount | Standard IP65 / NEMA 4X Push Button Pendant Control

SPECS - SINGLE SPEED, SINGLE PHASE, 115V, 60HZ, FOR COMBO WITH SINGLE PHASE ELECTRIC CHAIN HOIST

Model	Capacity (lbs)	Capacity (mt)	Trolley Motor H.P.	Traversing Speed (ft/min)		Headroom (in)	Traversing I-Beam Width (in)	Trolley Min. Radius (in)	Net Weight (lbs)
				50Hz	60Hz				
MTS-0.25	550	0.25	0.41	32	39	4.30	2.9 - 5	43.31	40
MTS-0.5	1100	0.5		32	39	4.30		43.31	40
MTS-1	2200	1		32	39	5.52	2.95 - 5.91	43.31	60

SPECS - LOW SPEED (MAS) OR HIGH SPEED (MAF), THREE PHASE, DUAL VOLTAGE 230V / 460V, 60HZ, FOR COMBO WITH THREE PHASE ELECTRIC CHAIN HOISTS

Model	W.L.L. (lbs)	W.L.L. (mt)	Trolley Motor H.P.	Traversing Speed (ft/min)		Headroom (in)	Traversing I-beam Width	Trolley Min. Radius (in)	Net Weight (lbs)
				50Hz/60Hz	50Hz/60Hz				
MAS (MAF) - 0.25	550	0.25	0.54	65 / 78 MAF type	32 / 39 MAS type	5.52	2.95-5.91	43.31	69
MAS (MAF) - 0.5	1100	0.5				5.52			
MAS (MAF) - 1	2200	1				5.52			
MAS (MAF) - 2	4400	2	1.02	65 / 78 MAF type	32 / 20 MAS type	6.46	3.94-5.91	59.06	88
MAS (MAF) - 3	6600	3				7.05		59.06	141
MAS (MAF) - 5	11000	5				9.14	4.92-6.89	78.74	182

SPECS - DUAL SPEED, THREE PHASE, 230V OR 460V, FOR COMBO WITH THREE PHASE ELECTRIC CHAIN HOIST

Model	W.L.L. (lbs)	W.L.L. (mt)	Trolley Speed FPM	Trolley Motor H.P.	Traversing Speed (ft/min)		Traversing I-beam Width	Trolley Min. Radius (in)	Net Weight (lbs)
					50Hz	60Hz			
MB - 0.5	1100	0.5	[39] [78]	0.54	[16] [65] MB type	[19] [78] MB type	2.95-5.91	43.31	69
MB - 1	2200	1					43.31	69	
MB - 2	4400	2					3.94-5.91	59.06	88
MB - 3	6600	3					59.06	141	
MB - 5	11000	5					1.02	4.92-6.89	78.74

* Shaft extender kits are available for wide beam applications





LARGE CAPACITY ELECTRIC CHAIN HOIST

SPECIFICATIONS - LARGE CAPACITY ELECTRIC CHAIN HOIST

Model	W.L.L. (mt)	Standard Lift (ft)	Headroom (in)	Lifting Speed (ft/min)		Lifting Motor Output (H.P.)	Trolley Min. Radius (in)	Load Chain (mm) x Number of Falls
				50 Hz	60 Hz			
DA-15	15	13	66.15	5.9	6.8	4.62 x 2	70.8	11.2 x 6
DA-20	20	13	67.33	4.2	5.2	4.62 x 2	81.4	11.2 x 8
DA-30	30	13	76.78	2.9	3.2	4.62 x 2	98.4	11.2 x 12
DA-50	50	13	*	1.6	1.9	4.62 x 2	114	11.2 x 22

ELECTRIC CHAIN HOIST WITH MOTORIZED TROLLEY

Model	W.L.L. (mt)	Standard Lift (ft)	Headroom (in)	Traversing Speed (ft/min)		Traversing Motor Output (H.P.)	Trolley Min. Radius (in)	Load Chain (mm) x Number of Falls
				50 Hz	60 Hz			
DAM-15	15	13	53.15	32.8	39.3	2.04	-	11.2 x 6
DAM-20	20	13	56.30	32.8	39.3	2.04	-	11.2 x 8
DAM-30	30	13	66.00	32.8	39.3	2.04	-	11.2 x 12

*Larger capacities available upon request

*DAM-30 is max DAM capacity (with mot trolley)

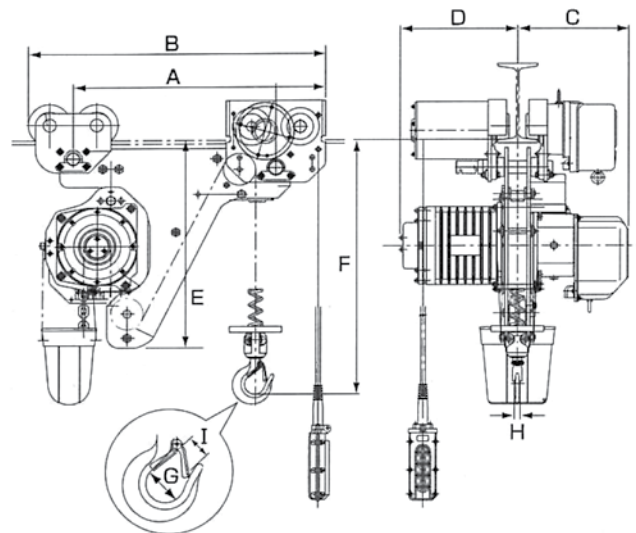
ELECTRIC CHAIN HOIST WITH GEARED TROLLEY

Model	W.L.L. (mt)	Standard Lift (ft)	Headroom (in)	Trolley Min. Radius (in)	Load Chain (mm) x Number of Falls
DAG-15	15	13	53.15	275.5	11.2 x 6
DAG-20	20	13	56.30	275.5	11.2 x 8

*Larger capacities available upon request



SDAM, SDBM SERIES LOW HEADROOM ELECTRIC CHAIN HOIST



SPECIFICATIONS - SDAM SINGLE SPEED

Model	Capacity metric ton	Test Load metric ton	Standard Lift (ft)	Dia. of Load Chain (mm) x Falls	Lifting Motor Output (H.P.)	Traversing Motor Output (H.P.)	Lifting Spd ft per min (60Hz)	Traversing Spd ft per min (60Hz)	Headroom (in)	I Beam Width (in)
SDAM-0.25	250kg	313kg	10	6.3x1	1.22	0.54	28	78.5	14.37	Manufactured to Specification
SDAM-0.5	0.5	625kg	10	6.3x1	1.22		18.5		14.37	
SDAM-1W	1	1.125	10	6.3x2	1.22		14		18.7	
SDAM-1S	1	1.125	10	7.1x1	1.5		18		16.53	
SDAM-1.5	1.5	1.88	10	9.5x1	4.62		21.5		18.89	
SDAM-2W	2	2.5	10	7.1x2	2.31		13		20.07	
SDAM-2S	2	2.5	10	11.2x1	4.62		21		20.47	
SDAM-2.5	2.5	3.13	10	11.2x1	3.4	1.02	14	22.04		
SDAM-3	3	3.75	10	9.5x2	4.62		17	25.19		
SDAM-5	5	6.25	10	11.2x2	4.62		10.5	28.74		
SDAM-7.5	7.5	9.375	Contact Factory						31.49	
SDAM-10	10	12.5							31.49	
SDAM-15	15	18.75							38.58	
SDAM-20	20	25							41.73	

SPECIFICATIONS - SDBM DOUBLE SPEED

Model	Capacity metric ton	Test Load metric ton	Standard Lift (ft)	Dia. of Load Chain (mm) x Falls	Lifting Motor Output (H.P.)	Traversing Motor Output (H.P.)	Lifting Spd ft per min (60Hz)	Traversing Spd ft per min (60Hz)	Headroom (in)	I Beam Width (in)
SDBM-0.25	250kg	313kg	10	6.3x1	1.22 : 0.41	0.54 : 0.14	28 : 9	78.5 : 39	14.37	Manufactured to Specification
SDMB-0.5	0.5	625kg	10	6.3x1	1.22 : 0.41		28 : 9		14.37	
SDBM-1W	1	1.125	10	6.3x2	1.22 : 0.41		14 : 4.5		18.7	
SDBM-1S	1	1.125	10	7.1x1	2.31 : 0.77		27 : 9		16.53	
SDBM-1.5	1.5	1.88	10	9.5x1	4.62 : 1.55		22 : 7.5		18.89	
SDBM-2W	2	2.5	10	7.1x2	2.31 : 0.77		13 : 4		20.07	
SDBM-2S	2	2.5	10	11.2x1	4.62 : 1.55		21 : 7		20.47	
SDBM-2.5	2.5	3.13	10	11.2x1	4.62 : 1.55	1.02 : 0.14	21 : 7	22.04		
SDBM-3	3	3.75	10	9.5x2	4.62 : 1.55		17 : 5.5	25.19		
SDBM-5	5	6.25	10	11.2x2	4.62 : 1.55		10.5 : 3	28.74		
SDBM-7.5	7.5	9.375	Contact Factory						31.49	
SDBM-10	10	12.5							31.49	
SDBM-15	15	18.75							38.58	
SDBM-20	20	25							41.73	

DIMENSIONS (IN.) - SDAM/SDBM

Model	A	B	C	D	E	F	G	H	I	Unit Weight (lbs) with 10' Lift
SDAM-0.25	18.50	27.72	10.28	10.51	19.02	14.37	1.69	0.55	1.02	243
SDAM-0.5	18.50	27.72	10.28	11.93	19.02	14.37	1.69	0.55	1.02	243
SDAM-1W	18.50	27.72	10.28	10.51	19.02	18.70	1.97	0.59	1.22	280
SDAM-1S	19.69	28.90	10.75	12.60	20.63	16.54	1.97	0.59	1.22	309
SDAM-1.5	24.02	35.51	12.28	13.43	24.13	18.90	2.56	1.02	1.50	562
SDAM-2W	20.08	31.57	10.75	11.42	21.18	20.08	2.56	1.02	1.50	375
SDAM-2S	24.80	36.30	12.28	13.43	25.00	20.47	2.56	1.02	1.50	584
SDAM-2.5	24.80	36.69	12.28	14.61	25.16	22.05	2.56	1.02	1.50	595
SDAM-3	24.02	35.91	12.28	13.43	24.29	25.20	2.36	1.26	1.73	617
SDAM-5	26.38	39.45	12.28	13.43	26.57	28.74	2.76	1.38	1.89	750
SDBM-0.25	18.50	27.72	11.30	11.93	19.02	14.37	1.69	0.55	1.02	278
SDMB-0.5	18.50	27.72	11.30	11.93	19.02	14.37	1.69	0.55	1.02	278
SDBM-1W	18.50	27.72	11.30	11.93	19.02	18.70	1.97	0.59	1.22	322
SDBM-1S	19.69	28.90	11.69	12.60	20.63	16.54	1.97	0.59	1.22	353
SDBM-1.5	24.02	35.51	13.54	14.61	24.13	18.90	2.56	1.02	1.50	609
SDBM-2W	20.08	35.51	11.69	12.60	21.18	20.08	2.56	1.02	1.50	419
SDBM-2S	24.80	36.30	13.54	14.61	25.00	20.47	2.56	1.02	1.50	628
SDBM-2.5	24.80	36.69	13.54	14.61	25.16	22.05	2.56	1.02	1.50	633
SDBM-3	24.02	35.91	13.54	14.61	24.29	25.20	2.36	1.26	1.73	655
SDBM-5	26.38	39.45	13.54	14.61	26.57	28.74	2.76	1.38	1.89	787





ALPHA SERIES COMPACT ELECTRIC CHAIN HOIST 1-PHASE





Features of the ALPHA Compact Electric Chain Hoist

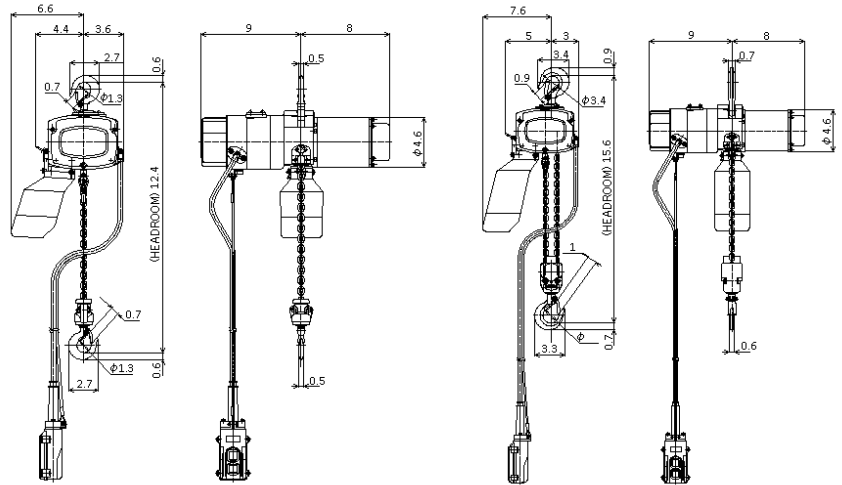
- ❶ The aluminum die cast body is designed for environments where noise levels must be kept to a minimum
- ❷ Compact design with low headroom, net weight of the hoists range from 32 lbs. with a standard 10' lift
- ❸ Alpha S series has a single brake design
- ❹ Overload and overwind safety device. This device ensures stability when the hoist is over wound, or over lowered. The device also protects against an overload of the unit, helping to prevent damage to the hoist and injury to personnel.
- ❺ A special surface treated load chain for corrosion resistance
- ❻ The load chain is extremely durable, adhering to the strict German DIN 5684 standard
- ❼ Upper and lower hooks with safety latches are designed to slowly stretch in the event of an overload, allowing for a visual indicator to the operator, to cease operation. The bottom hook has a thrust bearing to reduce stress on the lower block, while under load.
- ❽ The pendant control's contactor is designed for frequent use, guaranteeing excellent durability, even when 'inching' a load.
- ❾ Rating JIS/ISO M4, FEM 1AM, ASME H3 Motor, IP54 Hoist Protection, IP65 NEMA 4X Pendant Protection
- ❿ Temperature range -10° to 40° C, 14° to 104° F



S SERIES
1-PHASE
1-SPEED

SB SERIES
1-PHASE
DUAL SPEED

SV SERIES
1-PHASE
VARIABLE SPEED



Note: Length A changes according to the power source used.

Motor Output	A (inches)
Single Phase 300 watts	7
Single Phase 600 watts	9
Three Phase 5500 watts	8

SPECIFICATIONS - ALPHA ELECTRIC CHAIN HOIST SINGLE PHASE

Type	Single-Speed Type					Variable-Speed Type					Dual-Speed Type				
	S-006	S-01	S-016	S-025	S-05	SV-006	SV-01	SV-016	SV-025	SV-05	SB-006	SB-01	SB-016	SB-025	SB-05
Model	H-006	H-01	H-016	H-025	H-05	HV-006	HV-01	HV-016	HV-025	HV-05	HB-06	HB-01	HB-016	HB-025	HB-05
Rated Load (lbs)	130	220	350	550	1100	130	220	350	550	1100	130	220	350	550	1100
Rated Load (kg)	60	100	160	250	500	60	100	160	250	500	60	100	160	250	500
Motor Output (W)	300		600			300		600			300		600		
Short Time Rating (min)	25					25					25				
Repetition Ratings	Load Time Rate ()					30					30				
	Max. Starting Freq (times/h)					180					180				
Rated Current (A)	6 [4]	8 [5]	12 [6]	12 [6]	12 [6]	6 [4]	8 [5]	12 [6]	12 [6]	12 [6]	6 [4]	8 [5]	12 [6]	12 [6]	12 [6]
Lifting Speed (ft / min)	42	42	49	32	16	[3][42]	[3][42]	[3][49]	[3][32]	[1.5][16]	Low [16]	Low [13]	Low [16]	Low [13]	Low [6]
Standard Lift (ft)	10	10	10	10	10	10	10	10	10	10	High [42]	High [42]	High [49]	High [32]	High [16]
Headroom (in)	12.8	12.8	12.8	12.8	16.34	12.8	12.8	12.8	12.8	16.34	12.8	12.8	12.8	12.8	16.34
Push-button Cord Length (ft)	8	8	8	8	8	8	8	8	8	8	8	8	8	8	8
Load Chain - Dia. X Pitch (mm)	4 x 12	4 x 12	4 x 12	4 x 12	4 x 12	4 x 12	4 x 12	4 x 12	4 x 12	4 x 12	4 x 12	4 x 12	4 x 12	4 x 12	4 x 12
Net Weight (lbs)	32	32	36	36	44	33	33	38	38	45	32	32	36	36	44

- Notes:**
1. A power source cable of 16.5' is included.
 2. Figure in [] shows that of α H Type.
 3. Power supply voltage for operating the push-button switch is 24V 3 phase or 100V (or 200V) single phase.
 4. 500kg type is also available in 490kg.

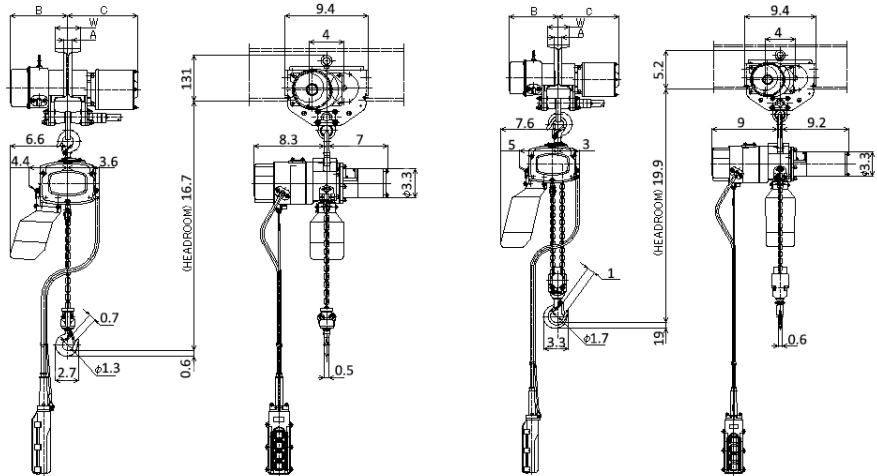




SM SERIES
1-PHASE
1-SPEED

SBM SERIES
1-PHASE
DUAL SPEED

SVM SERIES
1-PHASE
VARIABLE SPEED



Note-1: Length A changes according to the power source used.

Note-2: The B, C, E dimensions change according to the width of the applicable rail.

Motor Output	A (inches)
Single Phase 300 watts	7
Single Phase 600 watts	9

	Rail Width D (inches)		
	3	3.9	4.9
B	14.8	15.7	16.7
C	0.9	1.9	2.9
E	8.1	8.6	9.1

SPECIFICATIONS - ALPHA MOTORIZED CHAIN HOIST SINGLE PHASE

Model	Rated Load (lbs)	Rated Load (kg)	Voltage (V)	Head-room (in)	Standard Lift (ft)	Motor output (KW)	Lifting Speed (ft/min)	Traverse Motor Output (KW)	Traversing Spd. (ft/min): 50Hz/60Hz	Applicable Traversing Rail Width (in)	Min. Traversing Turning Radius (in)	Min. Height of Traversing Rail (in)	Net Weight (lbs)	
100-115V 200-230V														
SM-006	HM-006	130	60	115/230V	16.77	10	0.3	42	0.3	32 / 39	2.95 3.94 4.92	43.31	4.92	72
SVM-006	HVM-006	130	60	115/230V	16.77	10	0.3	[3] [42]	0.3	32 / 39		43.31	4.92	73
SBM-006	HBM-006	130	60	115/230V	16.77	10	0.3	L[16] H[42]	0.3	32 / 39		43.31	4.92	72
SM-01	HM-01	220	100	115/230V	16.77	10	0.3	42	0.3	32 / 39		43.31	4.92	72
SVM-01	HVM-01	220	100	115/230V	16.77	10	0.3	[3] [42]	0.3	32 / 39		43.31	4.92	73
SBM-01	HBM-01	220	100	115/230V	16.77	10	0.3	L[13] H[42]	0.3	32 / 39		43.31	4.92	72
SM-016	HM-016	350	160	115/230V	16.77	10	0.6	49	0.3	32 / 39		43.31	4.92	72
SVM-016	HVM-016	350	160	115/230V	16.77	10	0.6	[3] [49]	0.3	32 / 39		43.31	4.92	77
SBM-016	HBM-016	350	160	115/230V	16.77	10	0.6	L[16] H[49]	0.3	32 / 39		43.31	4.92	76
SM-025	HM-025	550	250	115/230V	16.77	10	0.6	32	0.3	32 / 39		43.31	4.92	76
SVM-025	HVM-025	550	250	115/230V	16.77	10	0.6	[3] [32]	0.3	32 / 39		43.31	4.92	77
SBM-025	HBM-025	550	250	115/230V	16.77	10	0.6	L[13] H[32]	0.3	32 / 39		43.31	4.92	76
SM-050	HM-050	1100	500	115/230V	20.31	10	0.6	16	0.3	32 / 39		43.31	4.92	84
SVM-050	HVM-050	1100	500	115/230V	20.31	10	0.6	[1.5] [16]	0.3	32 / 39		43.31	4.92	85
SBM-050	HBM-050	1100	500	115/230V	20.31	10	0.6	L[6] H[16]	0.3	32 / 39		43.31	4.92	84

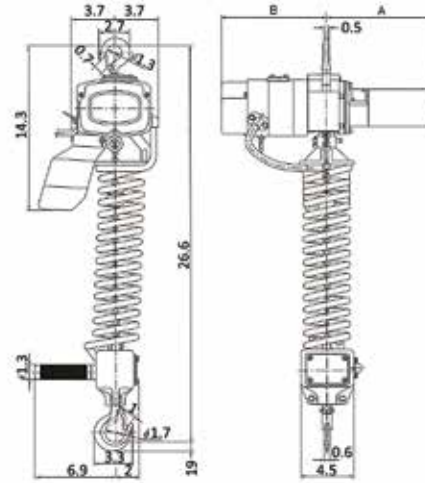
- Notes:**
1. The minimum distance between hooks slightly differs according to the size of the applicable traverse trail.
 2. The single-phase traverse motor has E-class insulation, and the short time rating is 15 min.
 3. The power cord of 0.5m extending from the trolley (3-core; 1 pc. for earth) is supplied.





SDH SERIES
1-PHASE
115V

HDH SERIES
1-PHASE
230V



Above schematic measured in inches

DIMENSIONS - ALPHA ERGO GRIP

	Dimension A (in)	Dimension B (in)
Single Phase up to 100kg	7	8.7
Single Phase up to 250kg	9.1	9
Three Phase up to 250kg	8	9

SPECIFICATIONS - ALPHA ERGO GRIP 1 PHASE

Type		Single - Speed Type		Dual-Speed Type		Variable Speed	
Model	115v	SDH-01	SDH-025	SBDH-01	SBDH-025	SVDH-01	SVDH-025
	230v	HDH-01	HDH-025	HBDH-01	HBDH-025	HDVH-01	HDVH-025
Rated Load (kg)		100	250	100	250	100	250
Rated Load (lbs)		220	550	220	550	220	550
Lift (ft)		8	8	8	8	8	8
Motor Output (W)		300	600	300	600	300	600
Motor Output (HP)		0.4	0.8	0.4	0.8	0.4	0.8
Short Time Rating (min)		25	25	25	25	25	25
Lifting Speed	Frequency (Hz)	60	60	60	60	60	60
	ft / min	43	33	13 / 43	13 / 33	3 - 43	3 - 33
Headroom (in)		26.5	26.5	26.5	26.5	26.5	26.5
Weight (lbs)		44	49	44	49	44	49

- Notes:**
1. A power source cable of 16.5' is included.
 2. Power supply voltage for operating the push-button switch is 24V 3 phase or 100V (or 200V) single phase.
 3. 500kg type is also available to supply the equipment for the 490kg.





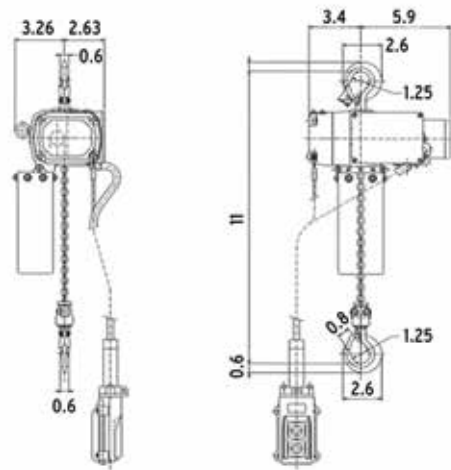
BETA COMPACT ELECTRIC CHAIN HOIST

- 125kg & 200kg
- 1 Phase 115V
- Unit weight with standard lift is 10 lbs
- 11" headroom
- Ideal for carrying in tool boxes
- Overload protection device
- Overwind protection
- Plastic chain container
- Ratings JIS / ISO 1AM, FEM M4, ASME H3, Hoist protection is IP54, Pendant is IP65 NEMA 4X

SPECIFICATIONS - BETA COMPACT ELEC. CHAIN HOIST

Model	BS-012	BS-020
Capacity (kg)	125	200
Capacity (lbs)	275 lb	440 lb
Motor output (H.P.)	0.25	
Short time rating (min.)	25	
%ED	30%	
Maximum starting frequency (times/h)	180	
Voltage	Single phase 115V	
Ampere (A)	4	
Lifting speed (ft / min.)	21	12.5
Headroom(in)	11	
Load chain (Dia. X Pitch)	3mm x 9mm	
Power cable (ft)	9.8 ft (1.25mm ² x 3cores) with plug	
Weight	16.5 lb (10 ft lift) : 17lb (20 ft lift)	

* Maximum lift is 32 ft



Above schematic measured in inches



Overload Protection Safety Device, Standard on 1t Capacity and Greater

A High Quality Urethane Paint

Heavy Duty Single Braid Wire Reinforced Air Hose with Swivel Fittings on each end

Galvanized Load Chain for Corrosion Resistance

Meets ASME B30.16 Standards

Pendant Control Machined from Solid Brass for Corrosion Resistant and Spark Resistance with an Emergency Stop Button. Available in Aluminium as well.

Yielding style buffers stall the motor

Upper Hook with a Safety Factor of 5X the Nominal Load

Low-maintenance motor for clean use within Food Grade, Petrochemical, and Pharmaceutical Environments

Heat Treated and Rust-Free Motor Components with Removable Stainless Steel Cylinder, Allow for Operational Longevity and Low Cost Replacement

Air Valve is 100% Nickel Plated inside and out for Corrosion Resistance.

Infinitely Variable Speed Via Pull Cord Control (not pictured)

Atex approved, EX II 2 GD IIC T4 (X) / EX II 2 GD IIB T4 (X). Additional resistance can be offered with copper platings and stainless steel components.

Trolleys can be offered with 100% Stainless Steel Side Plates and Solid Bronze Wheels.

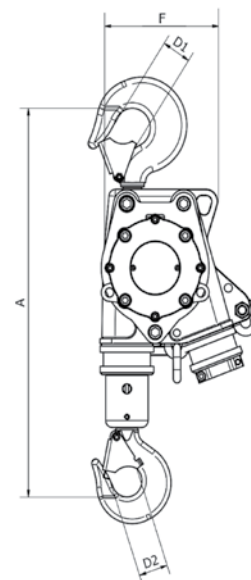
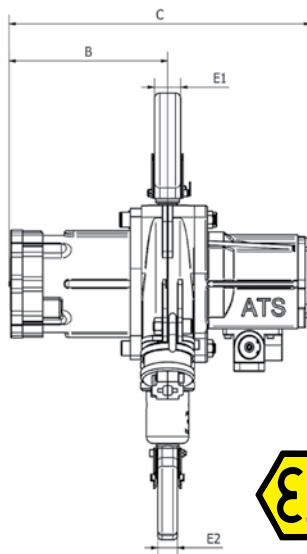
LME 155



SANS 1638 Compliant



ATS INDUSTRIAL SERIES AIR CHAIN HOIST 0.5ton-2ton



SPECIFICATIONS - 0.5ton - 2ton

Lifting capacity	Ton	0.5	1.0	2.0
Model		ATSi-05	ATSi-1	ATSi-2
Number of falls of chain		1	1	1
Weight with 10ft lift	lbs	66	73	93
Chain weight per ft lift	lbs	0.73	0.73	1.2
Chain size	mm	7x21	7x21	9x27
Working air pressure	bar	5-7	5-7	5-7
Air consumption @ full load	CFM	60	75	75
Air hose connection	BSP	3/4"	3/4"	3/4"
Lifting speed @ full load	ft/min	52	16.5	10.5
Lifting speed @ no load	ft/min	98	24	15.2
Lowering speed @ full load	ft/min	82	19	24.3
Noise level	dBA @1m	84	84	84

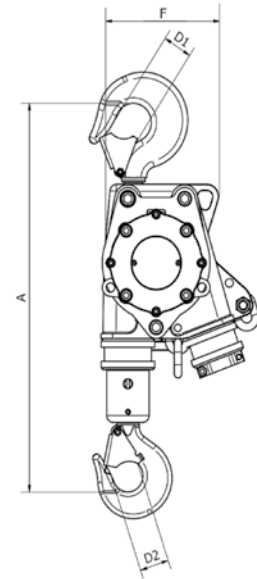
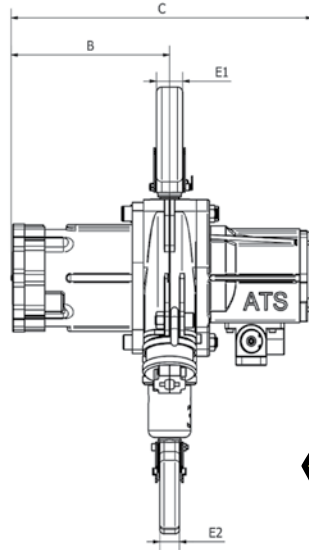
DIMENSIONS (in) - 0.5ton - 2ton

Lifting capacity	0.5ton	1 ton	2ton
A min .headroom	13.8	13.8	14.4
B	3.9	7.0	8.0
C	10.9	13.9	15.1
D1	0.9	0.9	0.9
D2	0.9	0.9	0.9
E1	0.9	0.9	0.9
E2	0.9	0.9	0.9
F	5.6	5.6	5.6

* Chain containers will increase headroom



ATS INDUSTRIAL SERIES AIR CHAIN HOIST 3ton-10ton



SPECIFICATIONS - 3ton - 10ton

Lifting capacity	Ton	3.0	4.2	5.0	6.0	10.0
Model		ATSi-3	ATSi-4	ATSi-5	ATSi-6	ATSi-10
Number of falls of chain		1	1	1	2	2
Weight with 10ft lift	lbs	134	165	179	168	280
Chain weight per ft lift	lbs	1.8	2.6	3.8	3.7	7.7
Chain size	mm	13x36	13x36	16x45	13x36	16x45
Working air pressure	bar	5-7	5-7	5-7	5-7	5-7
Air consumption @ full load	CFM	100	110	110	100	110
Air hose connection	BSP	3/4"	3/4"	3/4"	3/4"	3/4"
Lifting speed @ full load	ft/min	8.9	7.5	5.9	4.4	3.0
Lifting speed @ no load	ft/min	13.1	10.2	9.8	6.6	4.9
Lowering speed @ full load	ft/min	13.8	9.2	11.5	6.9	5.7
Noise level	dBA @1m	84	84	84	84	84

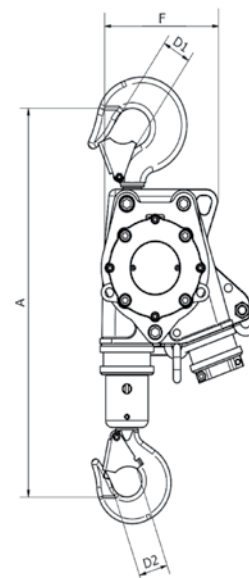
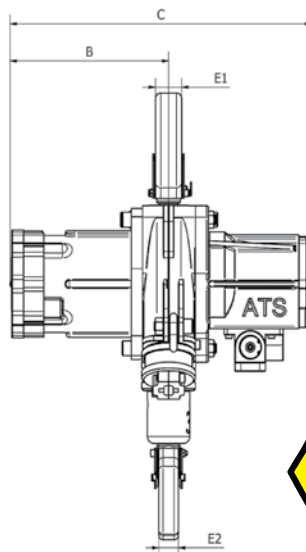
DIMENSIONS (in) - 3ton - 10ton

Lifting capacity	3.0	4.2	5.0	6.0	10.0
A min .headroom	21.9	21.9	24.4	27.6	31.3
B	9.4	10.7	10.8	9.4	10.8
C	18.0	19.3	19.6	18.0	19.6
D1	1.2	1.2	1.6	1.6	1.7
D2	1.6	1.6	1.6	1.6	1.7
E1	1.8	1.8	1.9	1.9	2.1
E2	1.9	1.9	1.9	1.9	2.1
F	9.33	9.33	9.33	9.33	10.04

* Chain containers will increase headroom



ATS INDUSTRIAL SERIES AIR CHAIN HOIST 16ton-25ton



SPECIFICATIONS - 16ton - 25ton

Lifting capacity	Ton	16.0	18.0	20.0	25.0
Model		ATSi-16	ATSi-18	ATSi-20	ATSi-25
Number of falls of chain		4	3	4	4
Weight with 10ft lift	lbs	392	728	874	941
Chain weight per ft lift	lbs	10.2	11.5	15.3	15.3
Chain size	mm	13x36	16x45	16x45	16x45
Working air pressure	bar	5.7	5-7	5-7	5-7
Air consumption @ full load	CFM	110	110	110	110
Air hose connection	BSP	3/4"	3/4"	3/4"	3/4"
Lifting speed @ full load	ft/min	2.0	3.0	2.1	1.8
Lifting speed @ no load	ft/min	2.6	4.3	4.6	4.6
Lowering speed @ full load	ft/min	2.3	4.3	5.9	5.9
Noise level	dBA @1m	84	84	84	84

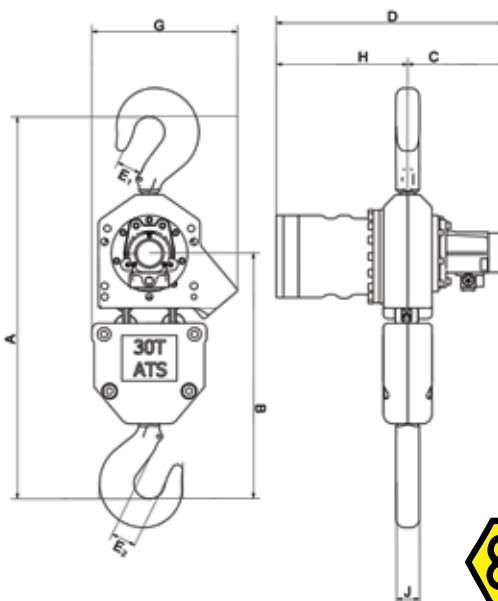
DIMENSIONS (in) - 16ton - 25ton

Lifting capacity	16.0	18.0	20.0	25.0
A min .headroom	31.3	39.8	39.8	42.5
B	12.6	13.5	12.9	12.9
C	23.7	23.9	24.3	24.3
D1	2.3	3.1	3.1	2.8
D2	2.3	3.1	3.1	2.8
E1	2.0	2.5	2.5	3.0
E2	2.0	2.5	2.5	3.0
F	12.4	12.4	13.0	13.0

* Chain containers will increase headroom



ATS INDUSTRIAL SERIES AIR CHAIN HOIST 30ton-50ton



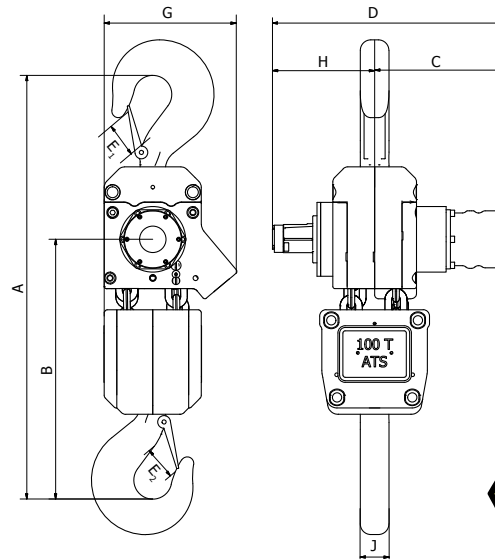
SPECIFICATIONS - 30ton - 50ton				
Lifting capacity	Ton	30.0	45.0	50.0
Model		ATSi-30	ATSi-45	ATSi-50
Number of falls of chain		2	3	4
Weight with 10ft lift	lbs	1,120	1,960	2,688
Chain weight per ft lift	lbs	16.4	24.6	32.8
Chain size	mm	23,5x66	23,5x66	23,5x66
Working air pressure	bar	5-7	5-7	5-7
Air consumption @ full load	CFM	230	230	225
Air hose connection	BSP	1 1/2"	1 1/2"	1 1/2"
Lifting speed @ full load	ft/min	3.9	2.6	1.6
Lifting speed @ no load	ft/min	8.5	4.9	4.3
Lowering speed @ full load	ft/min	6.6	4.9	3.3
Noise level	dBA @1m	84	84	84

DIMENSIONS (in) - 30ton - 50ton			
Lifting capacity	30.0	45.0	50.0
A min .headroom	51.6	59.1	59.1
B	14.1	18.1	17.3
C	28.5	34.8	34.8
D1	2.8	3.9	3.9
D2	2.8	3.9	3.9
E1	3.0	4.2	4.2
E2	3.0	4.2	4.2

* Chain containers will increase headroom



ATS INDUSTRIAL SERIES AIR CHAIN HOIST 60ton-100ton



SPECIFICATIONS - 60ton - 100ton

Lifting capacity	Ton	60.0	75.0	100.0
Model		ATSi-60	ATSi-75	ATSi-100
Number of falls of chain		4	3	4
Weight with 10ft lift	lbs	2,688	4,256	5,376
Chain weight per ft lift	lbs	32.8	45.6	60.7
Chain size	mm	23,5x66	32x90	32x90
Working air pressure	bar	5-7	5-7	5-7
Air consumption @ full load	CFM	230	280	280
Air hose connection	BSP	1 1/2"	1 1/2"	1 1/2"
Lifting speed @ full load	ft/min	1.5	2.2	1.6
Lifting speed @ no load	ft/min	4.3	3.1	2.3
Lowering speed @ full load	ft/min	3.3	3.5	2.6
Noise level	dBA @1m	84	84	84

DIMENSIONS (in) - 60ton - 100ton

Lifting capacity	60.0	75.0	100.0
A min .headroom	59.1	70.1	77.2
B	17.3	25.2	23.8
C	34.8	43.5	43.5
D1	3.9	4.9	4.9
D2	3.9	4.9	4.9
E1	4.2	5.2	5.2
E2	4.2	4.2	5.2

* Chain containers will increase headroom





AIR CHAIN HOIST WITH MOTORIZED TROLLEY

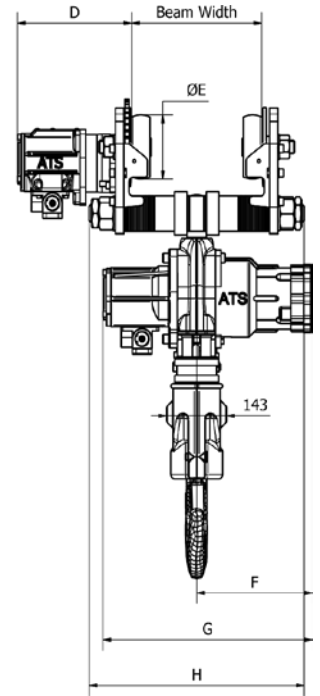
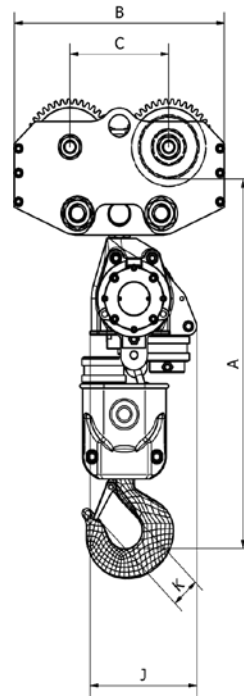
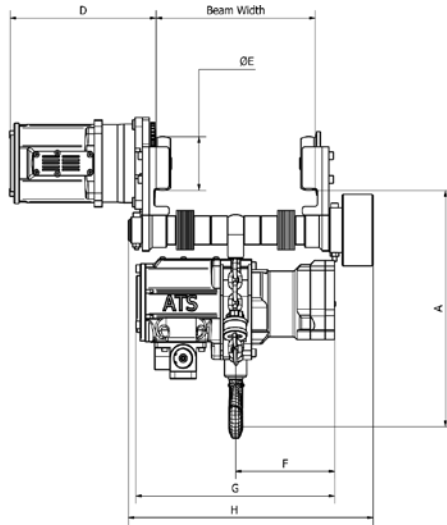
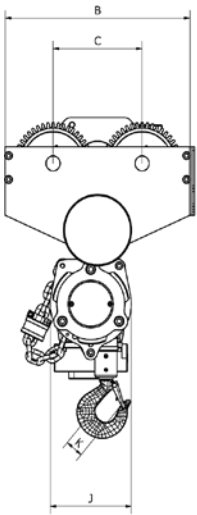
- Motorized trolleys available for the ATSI & Rigger Series
- For hoist capacities greater than 20 ton, see the Monorail Style Units
- Air motor has a polished stainless steel cylinder
- Anti-tip and anti-drop devices
- Manufactured with high quality steel components, allowing for a compact design
- Available with spark resistant features
- Available with marine paint finish

SPECIFICATIONS - ATS MOTORIZED TROLLEYS - 0.5 ton - 5ton

Lifting capacity	Ton	0.5	1	2	3	4.2	5
Model		ATSM-0.5	ATSM-1	ATSM-2	ATSM-3	ATSM-4.2	ATSM-5
Number of falls of chain		1	1	1	1	1	1
Weight with 10ft lift	lbs	67.2	73.9	94.1	134.4	168.0	179.2
Chain weight per ft lift	lbs	0.73	0.73	1.18	1.8	2.6	3.8
Chain size	mm	7x21	7x21	9x27	13x36	13x36	16x45
Working air pressure	bar	5-7	5-7	5-7	5-7	5-7	5-7
Air consumption @ full load	CFM	60	75	75	100	110	110
Air hose connection	BSP	3/4"	3/4"	3/4"	3/4"	3/4"	3/4"
Lifting speed @ full load	ft/min	52	16.5	15	8.9	7.5	5.9
Lifting speed @ no load	ft/min	98	24	28	13.1	10.2	9.8
Lowering speed @ full load	ft/min	82	19	30	13.8	9.2	11.5
Trolley Travelling Speed	ft/min	39.4	39.4	39.4	39.4	32.8	32.8
Noise level	dBA @3ft	84	84	84	84	84	84

* Increased speed conversion kits are available





*Schematics for reference only



*Schematics for reference only

DIMENSIONS (in.) - ATS MOTORIZED TROLEYS - 0.5ton - 5ton						
Lifting Capacity (t)	0.5	1.0	2.0	3.0	4.2	5.0
Beam width range	3.5-8.3			4.3-8.3		
A min. headroom LUG	15.6	15.6	15.8	22.8	24.2	24.4
A min. headroom HOOK	19.6	19.6	20.2	29.9	33.0	33.0
B	12.8	12.8	12.8	13.2	14.6	14.6
C	6.2	6.2	6.2	6.3	7.0	7.0
D	10.1	10.1	10.1	10.3	10.8	10.8
E	3.5	3.5	3.5	3.6	4.4	4.4
F	4.0	6.9	8.0	9.6	10.9	11.1
G	10.9	13.8	15.1	18.3	19.6	20.0
H	13.8	13.8	13.8	13.0	14.8	14.8
J	5.6	5.6	5.6	9.3	9.3	12.2
K	0.9	0.9	0.9	1.2	1.2	1.6





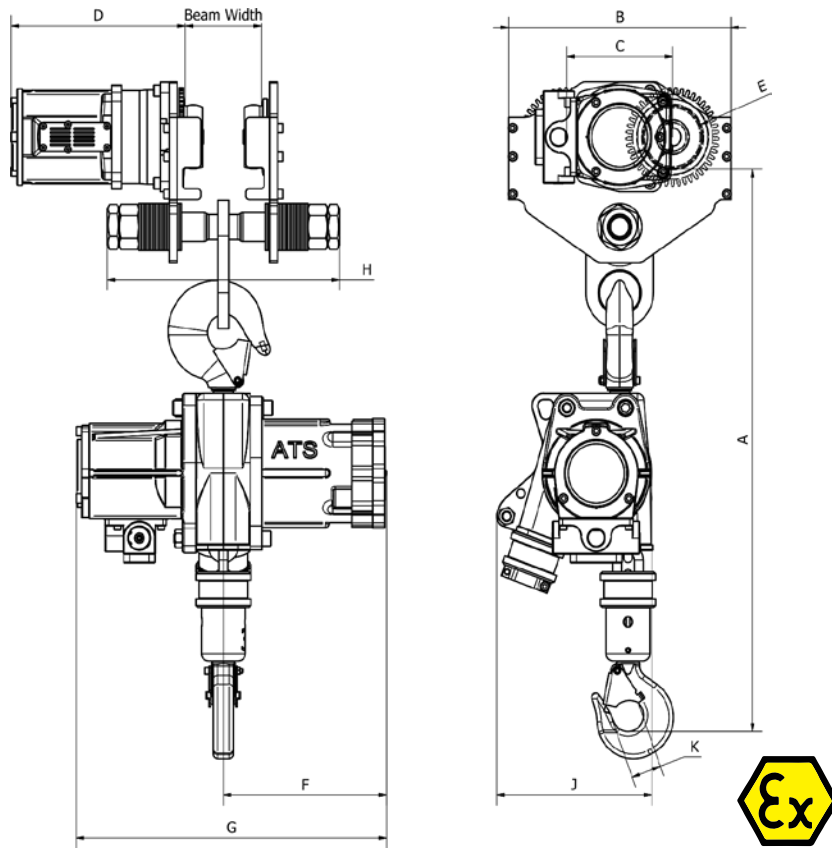
AIR CHAIN HOIST WITH MOTORIZED TROLLEY

SPECIFICATIONS - ATS MOTORIZED TROLLEYS - 6ton - 20ton

Lifting capacity	Ton	6	10	16	18	20
Model		ATSM-6	ATSM-10	ATSM-16	ATSM-18	ATSM-20
Number of falls of chain		2	2	4	3	4
Weight with 10ft lift	lbs	168.0	280.0	1299.1	728.0	873.6
Chain weight per ft lift	lbs	3.7	7.7	10.2	11.5	15.3
Chain size	mm	13x36	16x45	13x36	16x45	16x45
Working air pressure	bar	5-7	5-7	5-7	5-7	5-7
Air consumption @ full load	CFM	100	110	110	110	110
Air hose connection	BSP	3/4"	3/4"	3/4"	3/4"	3/4"
Lifting speed @ full load	ft/min	4.4	3.0	2.0	3.0	2.1
Lifting speed @ no load	ft/min	6.6	4.9	2.6	4.3	4.6
Lowering speed @ full load	ft/min	6.9	5.7	2.3	4.3	5.9
Trolley Travelling Speed	ft/min	32.8	26.2	26.2	26.2	26.2
Noise level	dBA @3ft	84	84	84	84	84

* Increased speed conversion kits are available



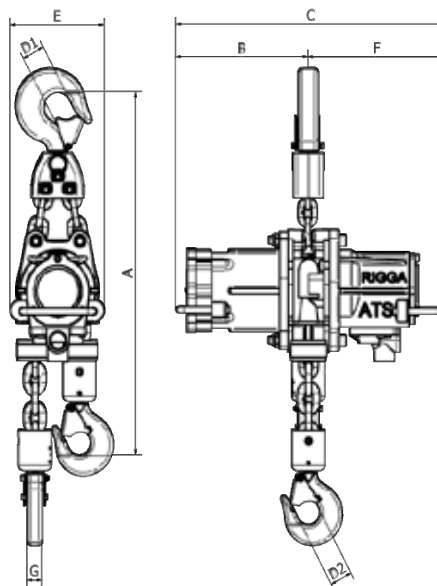


*Schematics for reference only

DIMENSIONS (in.) - ATS MOTORIZED TROLEYS - 0.5ton - 5ton					
Lifting Capacity (t)	6.0	10.0	16.0	18.0	20.0
Beam width range	4.3-8.3	6.7-12.2	6.9-13.0		
A min. headroom LUG	29.3	30.4	34.3	41.9	41.9
A min. headroom HOOK	36.1	38.2	42.9	50.0	50.0
B	14.6	20.0	23.6	24.0	24.0
C	7.0	9.4	9.3	11.4	11.4
D	10.8	10.9	10.9	11.3	11.3
E	4.4	5.8	5.7	7.9	7.9
F	9.6	11.1	12.6	13.6	12.9
G	18.3	20.0	23.7	23.9	24.3
H	14.8	19.6	23.2	21.7	21.7
J	9.3	12.2	11.8	13.0	13.0
K	1.6	2.1	2.3	3.1	3.1



RIGGER SERIES AIR CHAIN HOIST



SPECIFICATIONS - ATS RIGGER CHAIN HOIST - 1ton - 8ton								
Lifting capacity	t	1/1	2/2	3/3	3/6	4,2/4,2	5/5	4,2/8,4
Number of falls of chain		1/1	1/1	1/1	1/2	1/1	1/1	1/2
Weight with R-Control	lbs.	81.6	81.6	125.7	178.6	156.5	183.0	187.4
Weight with D-Control	lbs.	92.6	103.6	131.2	185.2	163.1	176.4	194.0
Chain size	mm	9x27	9x27	11,2x34	11,2x35	13x36	16x45	13x36
Chain weight per m lift	lbs./ft	1.2	1.2	1.8	1.8	2.6	3.9	2.6
Working air pressure	bar	4						
Air consumption @ full load	CFM	61.8	61.8	61.8	61.8	61.8	61.8	61.8
Air hose connection	BSP	1"						
Lifting speed @ full load	ft/min	16.4	9.8	14.8	14.8/7.4	10.5	8.5	5.2
Lifting speed @ no load	ft/min	55.8	32.8	19.0	16.4/8.2	13.1	10.5	143904.2
Lowering speed @ full load	ft/min	65.6	42.7	20.3	24.6/12.5	14.8	8.5	7.4
Standard lift	ft	10						
Length of control for Standard Lift	ft	6.5						
Noise level	dBA@3ft	84						

DIM. (in.) - ATS RIGGER - 1ton - 8ton							
Type	1 ton	2 ton	3 ton	4,2 ton	5 ton	6 ton	8 ton
A min .headroom	12.8	12.8	24.0	20.6	28.7	2.6	28.7
B	4.7	4.7	8.9	8.9	12.6	13.1	13.1
C	8.0	8.0	9.2	9.2	10.5	9.2	10.5
D	15.0	15.0	18.9	18.9	20.5	18.9	20.5
E1	1.3	1.3	1.6	1.6	1.7	1.6	1.7
E2	1.3	1.3	1.6	1.6	1.7	1.6	1.7
G max.width	5.7	5.7	9.4	9.4	13.4	9.4	13.4
H	7.1	7.1	9.7	9.7	10.0	9.7	10.0
I	8.3	8.3	11.8	11.8	18.9	16.7	18.9
J Hook width	0.9	0.9	1.8	1.8	2.1	1.9	2.1

* Chain containers will increase headroom





ROPE CONTROL

Pull cord control allows for infinitely variable speed for lifting and lowering applications.



PENDANT CONTROL

Pendant controls are machined from solid brass for corrosion resistance. The control's emergency stop button is a standard feature. This style pendant control is also available in aluminum.



REMOTE CONTROL PANEL

With lift synchronization that allows for operation of any one hoist, or a combination of multiple units simultaneously



WIRELESS CONTROL PENDANT

Offered for standard environments, as well as spark resistant applications.



Standard Model ATS Air Chain Hoists are Acceptable for Division 1 & 2 Applications, as follows:

- Division 1 (Spark-Resistant air hoists are required)
Atmospheres containing hazardous concentrations of flammable gases, dusts, or fibers, continuously, frequently or periodically, under normal operating conditions.
- Division 2 (Standard air hoists are required)
Atmospheres, normally non-hazardous, in which a hazardous concentration of flammable gases, dusts, or fibers, occurs when a container or handling system fails, or the ventilating system which normally keeps the concentration non-hazardous, fails

Classification of hazardous places

Gases, Vapours

Zone 0

place in which an explosive atmosphere consisting of a mixture with air of flammable substances in the form of gas, vapour or mist is present continuously or for long periods or frequently

Zone 1

place in which an explosive atmosphere consisting of a mixture with air of flammable substances in the form of gas, vapour or mist is likely to occur in normal operation occasionally

Zone 2

place in which an explosive atmosphere consisting of a mixture with air of flammable substances in the form of gas, vapour or mist is not likely to occur in normal operation but, if it does occur, will persist for a short period only

Dusts

Zone 20

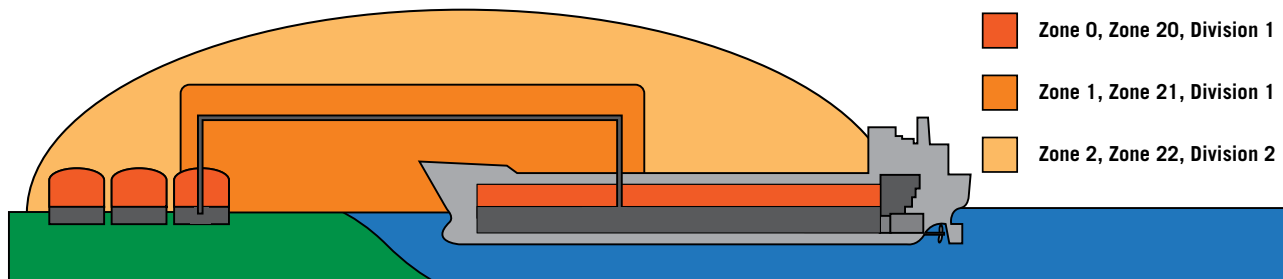
place in which an explosive atmosphere in the form of a cloud of combustible dust in air is present continuously, or for long periods or frequently

Zone 21

area in which an explosive atmosphere in the form of a cloud of combustible dust in air is likely to occur, occasionally in normal operation

Zone 22

area in which an explosive atmosphere in the form of a cloud of combustible dust in air is not likely to occur in normal operation but, if it does occur, will persist for a short period only

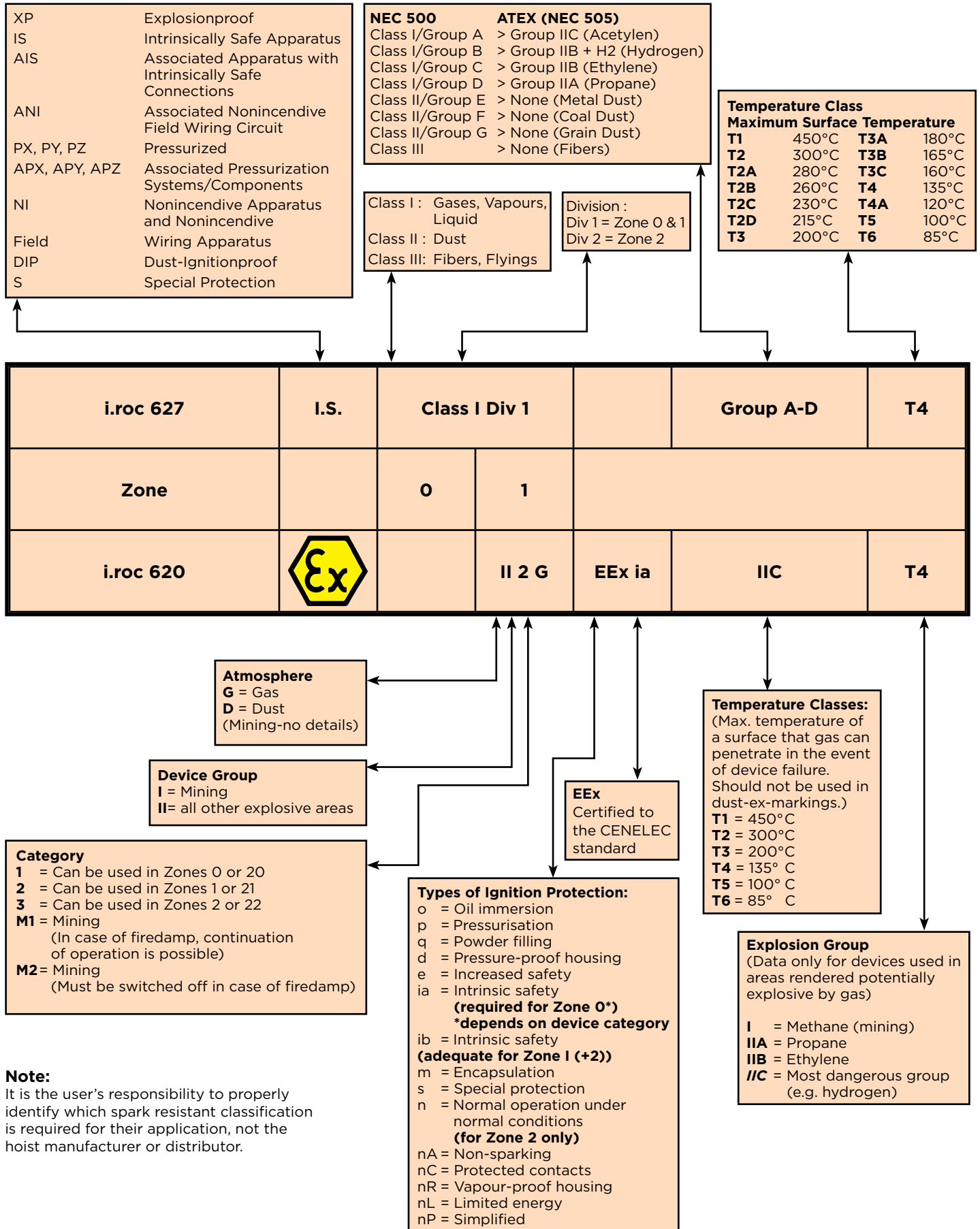


The above rendition is for reference only

Hazardous area				
Conditions and subdivisions			Required marking on the usable equipment	
Flammable materials	Temporary behaviour of explosive atmosphere	Classification of hazardous areas	Equipment Group as defined in directive 94/9/EC	Equipment category as defined in directive 94/9/EC
gases vapours	is present continuously or for long periods or frequently	zone 0	II	1G
	arises in normal operation occasionally	zone 1	II	2G or 1G
	is not likely to arise in normal operation, or if it does, will persist for a short time only	zone 2	II	3G or 2G or 1G
dusts	is present in the form of a cloud continuously, or for long periods or frequently	zone 20	II	1D
	occasionally develops into a cloud during normal operation	zone 21	II	2D or 1D
	is not likely to develop into a cloud during normal operation, or if it does, for a short time only	zone 22	II	3D or 2D or 1D
methane carbon dust	eration where there is a risk of explosion	-	I	M1
	disconnection where there is a risk of explosion	-	I	M2 or M1

Above codes are applicable to Atex standards

ATEX Flow Chart



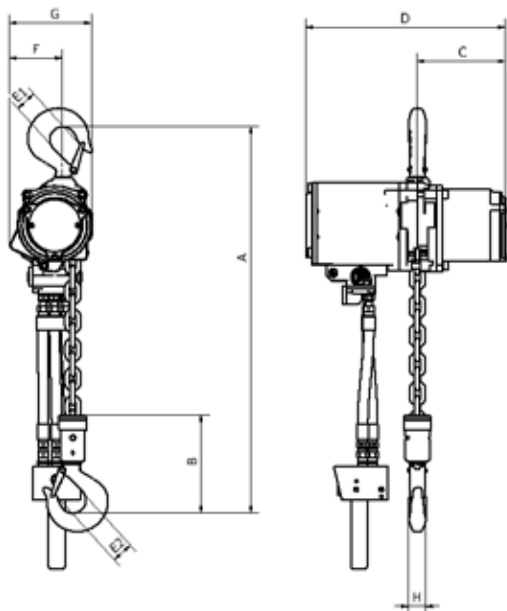


ATS COMPACT SERIES AIR CHAIN HOIST 0.25t ~ 2 ton

SPECIFICATIONS - ATSC COMPACT SERIES AIR CHAIN HOIST - 0.5t - 2 ton

	Ton	0.5	1	2
Lifting capacity				
Model		ATSi-05C	ATSi-1C	ATSi-2C
Number of falls of chain		1	1	2
Weight with 10ft lift	lbs.	38.1	43.7	53.8
Chain weight per ft lift	lbs.	2.4	2.4	4.8
Chain size	mm	7x21	7x21	7x21
Working air pressure	bar	5-7	5-7	5-7
Air consumption @ full load	CFM	60	60	60
Air hose connection	BSP	1/2"	1/2"	1/2"
Lifting speed @ full load	ft/min	32.8	21.7	13.1
Lifting speed @ no load	ft/min	55.8	32.8	19.0
Lowering speed @ full load	ft/min	65.6	42.7	20.3
Noise level	dBA @3ft	84	84	84





Features:

- Rust free & replaceable stainless steel cylinder
- 100% Duty cycle
- Robust epicycle gearbox (grease filled and sealed)
- Choice pilot pendant with E-Stop or direct pendant control - Variable speed
- Urethane yielding buffers for upper and lower limit stops
- Aluminium and SG Iron housings
- Internal silencing
- High grade carbon steel swivel hooks with safety catches
- Galvanized Grade 80 Load chain made to EN818-7 standard - 5:1 Design factor of safety
- Automatic self-adjusting multi disc brake 125% WLL
- Tried and tested delta P design load limiting device set 130% WLL*
- Spark resistant (Atex Zone 2)

Options:

- Marine spec - Nickel coated and marine paint
- Corrosion resistance: stainless steel hooks and chain, special paints
- Chain containers
- Plain, geared and motorized trolleys

DIMENSIONS (in.) - ATSC COMPACT SERIES AIR CHAIN HOIST - 0.25t - 2 ton

Type	0.5t	1t	2t
A min .headroom	12.1	12.1	15.6
B	5.6	5.6	7.9
C	3.5	5.0	8.0
D	9.9	11.4	15.0
E1	0.9	0.9	0.9
E2	0.9	0.9	0.9
G max.width	4.7	4.7	5.6
H Hook Width	0.9	0.9	0.9



ATS MONORAIL HOISTS 10ton - 60ton



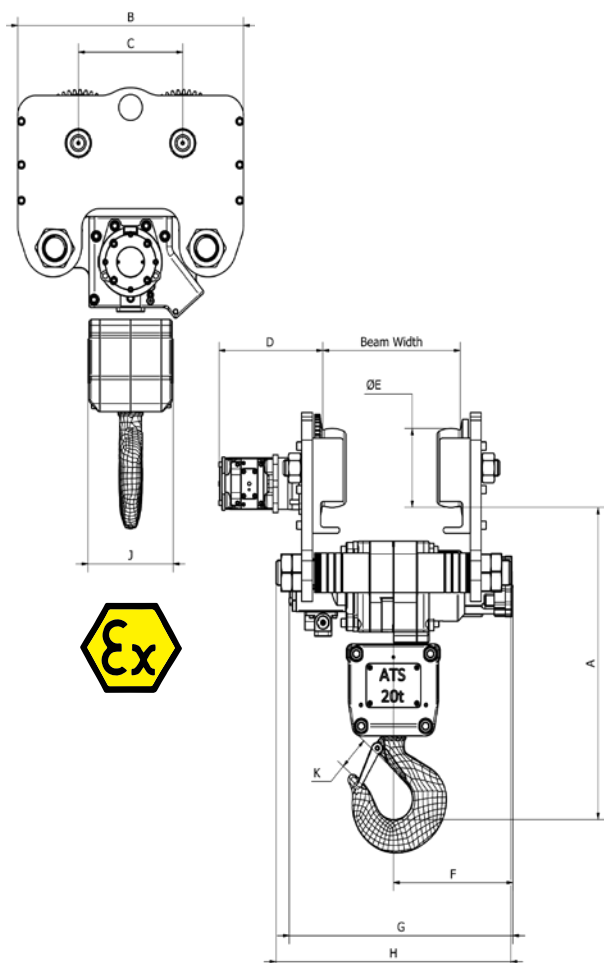
Standard Features:

- Standard Hoists are Atex approved, EX II 2 GD IIC T4 (X) / EX II 2 GD IIB T4 (X) / EX II 2 GD IIC T4 (X)
- Copper platings and stainless steel components can be offered for increased spark resistance
- Rust free & replaceable Stainless steel cylinder
- 100% Duty cycle
- Ideal for working in hazardous areas (Explosive environments)
- Temperature Rated -4°F to 158°F
- Insensitive to dust and humidity
- High Grade carbon steel swivel hooks with safety latches
- Galvanized Grade 80 Load chain made to EN818 standard - 5:1 Design factor of safety
- Automatic self-adjusting multi disc brake 125% WLL.
- Tried and tested slip clutch design load limiting device set 130% WLL.
- Compact design and Lowest headroom in class.
- Anti-climb and Anti-drop devices standard.
- Pilot Pendant control with Emergency shut-off valve
- Complaint with ASME B30.16

SPECIFICATIONS - ATS MONORAIL HOISTS - 10ton - 100ton

		10.0	16.0	25.0	30.0	45.0	50.0	60.0	75.0	100.0
Lifting capacity	t	10.0	16.0	25.0	30.0	45.0	50.0	60.0	75.0	100.0
Number of falls of chain		2	3	4	2	3	4	4	3	4
Weight with 3m lift	lbs.	573	937	1,510	1,863	3,219	3,638	3,638	7,937	12,125
Chain weight per m lift	lbs./ft	7.7	11.5	15.3	16.4	24.6	32.8	32.8	45.6	60.7
Chain size	mm	16x45	16x45	16x45	23,5x66	23,5x66	23,5x66	23,5x66	32x90	32x90
Working air pressure	bar	5-7	5-7	5-7	5-7	5-7	5-7	5-7	5-7	5-7
Air consumption @ full load	CFM	110	110	110	230	230	230	230	230	230
Air hose connection	BSP	3/4"	3/4"	3/4"	1 1/2"	1 1/2"	1 1/2"	1 1/2"	1 1/2"	1 1/2"
Lifting speed @ full load	ft/min	4.3	3.0	1.8	3.9	2.6	2.1	2.0	2.0	1.5
Lifting speed @ no load	ft/min	9.2	6.2	4.6	8.5	5.6	4.3	4.3	3.1	2.3
Lowering speed @ full load	ft/min	11.8	7.9	6.1	7.2	8.1	3.3	3.6	3.9	3.0
Traveling speed	ft/min	18.0	18.0	18.0	18.0	18.0	18.0	18.0	18.0	18.0
Rack drive travelling speed	ft/min	23.0	23.0	23.0	23.0	23.0	23.0	23.0	23.0	23.0
Standard lift	ft	10	10	10	10	10	10	10	10	10
Length of control for standard lift	ft	6.5	6.5	6.5	6.5	6.5	6.5	6.5	6.5	6.5
Noise level @3ft	dBA @3ft	84	84	84	84	84	84	84	84	84





ATS Monorail hoists are designed for the offshore industry, or wherever heavy loads have to be moved in confined spaces. Depending on the application these hoists can be used in pairs or even sets of four units. For example: Working in parallel units handling BOP handling systems from 20 ton to 150 tons. Or working in unison and connected by a tie bar for handling heat exchangers.

Options:

- Rack and pinion drive
- Marine Spec - Nickel coated and marine paint
- Corrosion resistance: special paints
- Chain containers
- Integrated Wireless Load cells
- Remote control panel - with lift synchronization
- Third Party Acceptance available on request

Special Application:

- If you have a unique application and require a non-standard system, a unit can be designed to your requirements

DIMENSIONS (in.) - ATS MONORAIL HOISTS - 10ton - 100ton									
Lifting Capacity (t)	10.0	16.0	25.0	30.0	45.0	50.0	60.0	75.0	100.0
Beam width range	6.3-15.6	5.9-12.2	6.7-13.0	6.9-15.7	5.9-15.2	5.5-14.6	5.5-14.6	6.3-13.8	
A min .headroom	27.6	27.6	32.0	37.2	43.3	46.5	46.5	44.5	59.4
B	19.8	22.1	24.6	24.6	56.3	56.3	56.3	74.8	107.3
C	9.3	9.3	11.4	11.4	11.8	11.8	11.8	13.6	13.6
D	10.7	10.7	11.3	11.3	11.3	11.3	11.3	12.1	12.1
E	5.7	5.7	7.9	7.9	7.9	7.9	7.9	9.6	9.6
F	10.9	13.0	11.5	14.3	17.3	17.3	17.3	17.4	24.6
G	19.7	23.9	23.3	28.5	34.8	34.8	34.8	34.8	45.7
H	19.3	21.3	22.8	21.7	28.5	28.5	28.5	28.5	
J	12.0	7.2	9.3	7.0	11.6	14.8	14.8	19.4	18.1
K	2.1	2.3	2.8	2.8	2.8	3.9	3.9	4.9	4.9





ATS LOW PROFILE 0.25ton - 6ton

Ideal for areas where headroom is restricted and standard trolleys are not able meet the lifting height requirements, the ATS UL Series Low Headroom Trolleys are recommended.

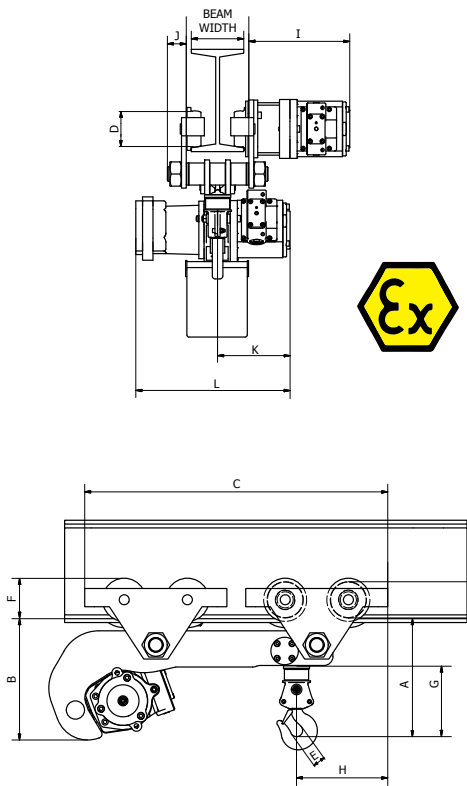
SPECIFICATIONS - ATS ULTRA LOW PROFILE 0.25ton - 6ton									
		ATSUL-025	ATSUL-050	ATSUL-1	ATSUL-2	ATSUL-3	ATSUL-4.2	ATSUL-5	ATSUL-6
Trolley Model / Trolley Carrying Capacity		LM-2, 2ton				LM-6, ton			
Carrying Capacity of Hoist with Trolley	mt	0.25	0.5	1	2	3	4.2	5	6
	T	0.27	0.55	1.1	2.2	3.3	4.6	5.5	6.6
Unit Weight with 10 foot lift	lbs.	198	198	211	219	465	496	498	510
Weight of Chain per additional foot of lift	lbs. / ft.	2.2	2.2	2.2	4	6	8.3	13	12
Chain Size		7x21			9x27	13x36	13x36	16x45	13x36
Number of chain strands		1							2
Air Pressure Trolley Motor	bar	4 - 6							
Air Consumption	cfm	60-75			95	110			
Motor Power Output (Hoist)	kW	1.4				3.2			
	H.P.	1.8				4.2			
Lifting Speed at Full Load	ft./min	88.5	64.0	22.0	29.0	15.0	12.0	8.5	7.5
Lifting Speed without Load		121.0	121.0	36.0	43.0	19.0	16.0	18.0	10.0
Lowering Speed with Full Load		82.0	82.0	29.5	29.5	20.0	19.0	16.0	10.0
Traveling Speed	ft./min	19				39			
Air Hose Connection		3/4"							
Air Hose Dimension		3/4"							
Traversing I-Beam Width	inch	3.3 - 12.2				1.3 - 4.9			
Maximum Bottom Flange Thickness	inch	0.98				1.3			
Noise Level at Motorized Trolley	dB(A)	84							

* Increased speed conversion kits are available



Standard Features:

- Standard Hoists are Atex approved, EX II 2 GD IIC T4 (X) / EX II 2 GD IIB T4 (X) / EX II 2 GD IIC T4 (X)
- Copper platings and stainless steel components can be offered for increased spark resistance
- Rust free & replaceable Stainless steel cylinder
- 100% Duty cycle
- Ideal for working in hazardous areas (Explosive environments)
- Temperature Rated -4°F to 158°F
- Insensitive to dust and humidity
- High Grade carbon steel swivel hooks with safety catches.
- Galvanized Grade 80 Load chain made to EN818 standard - 5:1 Design factor of safety
- Automatic self-adjusting multi disc brake 125% WLL.
- Tried and tested slip clutch design load limiting device set 130% WLL.
- Compact design and Lowest headroom in class.
- Anti-climb and Anti-drop devices standard.
- Pilot Pendant control with Emergency shut-off valve
- Compliant with ASME B30-11 and B30-16



Options:

- Marine Spec - Nickel coated and marine paint
- Corrosion resistance: special paints
- Chain containers

DIMENSIONS - ATS ULTRA LOW PROFILE 0.25ton - 6ton

		ATSUL-050	ATSUL-1	ATSUL-2	ATSUL-3	ATSUL-4.2	ATSUL-5	ATSUL-6
A	mm	267	267	270	345	376	433	522
	inch	10.5	10.5	10.6	13.6	14.8	17.0	20.6
B	mm	305	305	301	280	280	280	280
	inch	12.0	12.0	11.85	11.0	11.0	11.0	11.0
C	mm	680	680	680	845	845	845	845
	inch	26.8	26.8	26.8	33.3	33.3	33.3	33.3
D	mm	90	90	90	109	109	109	109
	inch	3.5	3.5	3.5	4.3	4.3	4.3	4.3
E	mm	23	23	23	30	30	40	40
	inch	0.9	0.9	0.9	1.2	1.2	1.6	1.6
F	mm	122	122	122	154	154	154	154
	inch	4.8	4.8	4.8	6.1	6.1	6.1	6.1
G	mm	145	145	148	230	230	268	357
	inch	5.7	5.7	5.8	9.1	9.1	10.6	14.1
H	mm	207	207	207	168	168	168	168
	inch	8.1	8.1	8.1	6.6	6.6	6.6	6.6
I	mm	254	254	254	272	272	272	272
	inch	10.0	10.0	10.0	10.7	10.7	10.7	10.7
J	mm	58	58	58	73	73	73	73
	inch	2.3	2.3	2.3	2.9	2.9	2.9	2.9
K	mm	176	176	176	266	266	271	266
	inch	6.9	6.9	6.9	10.5	10.5	10.7	10.5
L	mm	276	276	276	451	482	482	451
	inch	10.9	10.9	10.9	17.8	19.0	19.0	17.8





ATS UUL ULTRA LOW PROFILE 0.5ton - 20ton

TECHNICAL DATA - ATS UUL ULTRA LOW PROFILE HOISTS - 0.5ton - 20ton

		UUL-05	UUL-1	UUL-2	UUL-3	UUL-4	UUL-6	UUL-10	UUL-12	UUL-16	UUL-20	
Capacity	mt	0.5	1	2	3	4	6	10	12	16	20	
	T	0.55	1.1	2.2	3.3	4.4	6.6	11.0	13.2	17.6	22.0	
Unit Weight with 10 foot lift	lbs.	198	211	219	465	496	510	1221	1221	1307	1331	
Weight of Chain per additional foot of lift	lbs. / ft.	2.2		6		12		24		48		
Chain Size		7x21		9x27		13x36		16x45		16x45		
Number of chain strands		2		2		2		2		4		
Minimum Headroom	mm	143		170		198		257		310		
	inches	5.63		6.69		7.80		10.12		12.20		
Air Pressure	bar	4-7										
Air Consumption	cfm	95				110						
Motor Power Output	kW	1.4						3.2				
	H.P.	1.9						4.3				
Lifting Speed at Full Load	ft./min	32	12	11	15	14	10	9	7	6	4.2	
Lifting Speed without Load		61	18	18	21	21	14	9.5	9.5	8	9	
Lowering Speed with Full Load		49	18	20	21	22	14	9.1	10	9.5	12	
Traveling Speed	ft./min	19				39						
Air Hose Connection	inch	3/4						1		1.5		
Air Hose Dimension	inch	3/4						1				
Traversing I-Beam Width	inch	0.9-3.3				1.3-4.9						
Maximum Bottom Flange Thickness	inch	0.9						1.3				
Noise Level at Motorized Trolley	dB(A)	84										

* Specific Dimensions Provided Upon Request

** Increased speed conversion kits are available





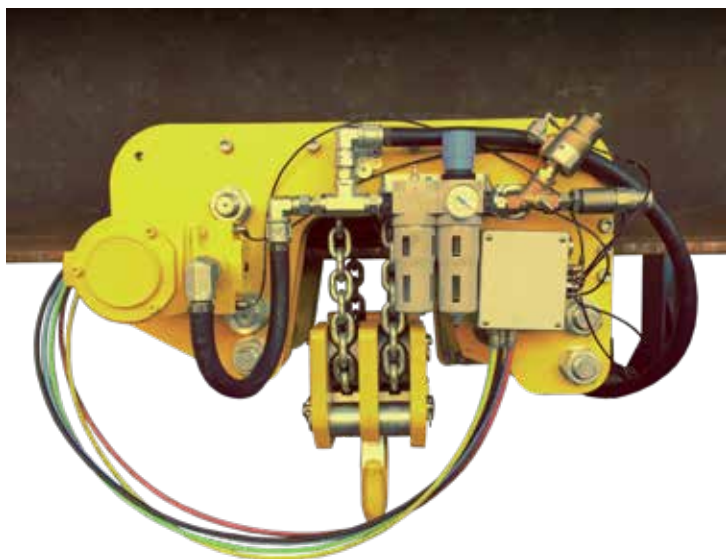
ATS UUL ULTRA LOW PROFILE LARGE CAPACITY 50t - 120ton

TECHNICAL DATA - ATS UUL ULTRA LOW PROFILE LARGE CAPACITY - 50ton - 120ton

		UUL-50 - 60	UUL-75 - 90	UUL-100 - 120
Capacity	mt	50 - 60	75 - 90	100 - 120
	T	55 - 66	82.6 - 99	110 - 132
Unit Weight with 10 foot lift	lbs.	4850	7385	10119
Weight of Chain per additional foot of lift	lbs. / ft.	33	49	66
Chain Size		23.5x66		
Number of chain strands		4	6	8
Minimum Headroom	mm	442	520	720
	inches	17.4	20.5	28.3
Air Pressure	bar	5-7		
Air Consumption	cfm	320		
Motor Power Output	kW	5x2		
	H.P.	6.7x2		
Lifting Speed at Full Load	ft./min	3.6	2.1	1.6
Lifting Speed without Load		5.25	3.6	2.6
Lowering Speed with Full Load		6.2	3.9	2.9
Traveling Speed	ft./min	39		
Air Hose Connection	inch	1.5x2		
Air Hose Dimension	inch	1.5		
Noise Level at Motorized Trolley	dB(A)	84		

* Specific Dimensions Provided Upon Request





BOP HANDLING MATRIX

20t, 30t, 40t, 50t,
60t, 75t, 100t, 150t,
180t, 200t, & 240t

Application: Designed for handling Blow Out Preventers on land and offshore drilling rigs. ATS Pneumatic's BOP systems have been engineered to meet or exceed current regulations set forth for the oilwell drilling industry.

- Standard Hoists are Atex approved, EX II 2 GD IIC T4 (X) / EX II 2 GD IIB T4 (X) / EX II 2 GD IIC T4 (X)
- Copper platings and stainless steel components can be offered for increased spark resistance
- Please see monorail hoist information on pages 78 and 79 of this catalog
- Can be used in pairs, or even sets of four
- Can be controlled via a synchronized control console that allows for operation of any one hoist, or combination of multiple units simultaneously
- Can be offered with integral wireless load cells
- ABS and DNV load test witness can be arranged
- Bottom blocks have water drain ports, allowing corrosive sea water to drain from the block
- The sheave for the load chain has an exterior access point for lubrication
- Filter lubricator station mounted on unit
- Corrosion resistant marine packages are available with special platings and paint finishes
- Galvanized steel and stainless steel chain containers are available







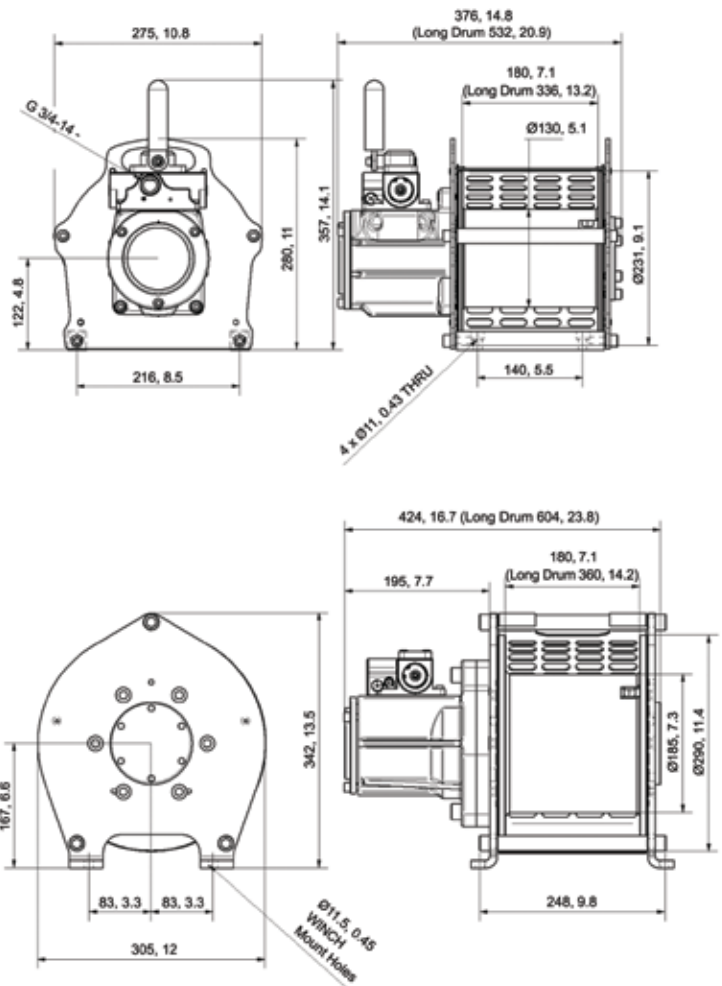
ATS PNEUMATIC WINCHES

Jr0.3t ~ Sr2.4t

ATS Air Winches are designed for Lifting and pulling applications in difficult applications like Marine, Offshore industry, Mining or wherever heavy loads have to be moved in confined spaces.

Standard Features:

- Rust free & replaceable stainless steel cylinder.
- 100% duty cycle.
- Ideal for working in hazardous areas (explosive environments).
- Temperature rated -20°C to 70°C.
- Insensitive to dust and humidity.
- Designed to conform with ASME 30.7 and FEM Classification 1Bm.
- Designed with a 5:1 factor of safety for lifting.
- Automatic self-adjusting multi disc brake 125% WLL
- Tried and tested Delta P load limiting device set 130% WLL for all CE model (lifting only).
- Spark resistant (Atex Zone 1 & 2).
- Compact design and lowest weight in class.
- Pilot pendant control with emergency shut-off valve or Variable speed toggle control.
- OPTIONAL Declutchable drum for free spooling.
- Individually load tested before shipment - Delivered with Load Test Certificate.

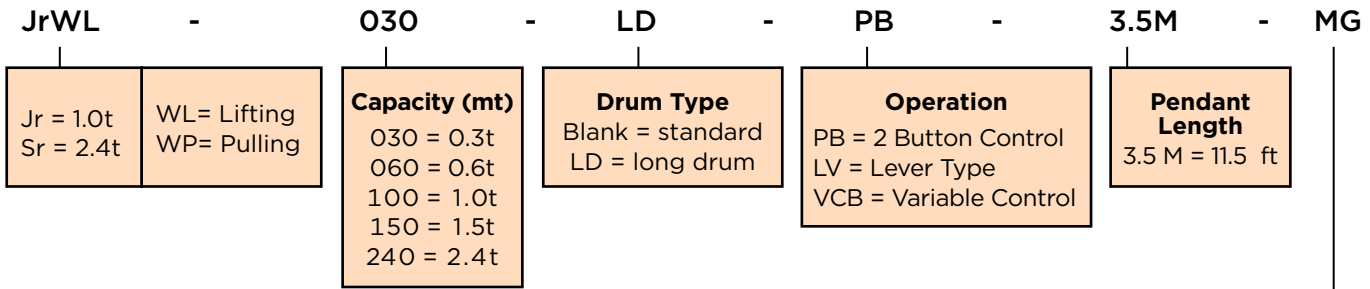


Above schematics
mm, in



Structure of our Model Numbers

Example JrWL-030-LD-PB-3.5M-MG

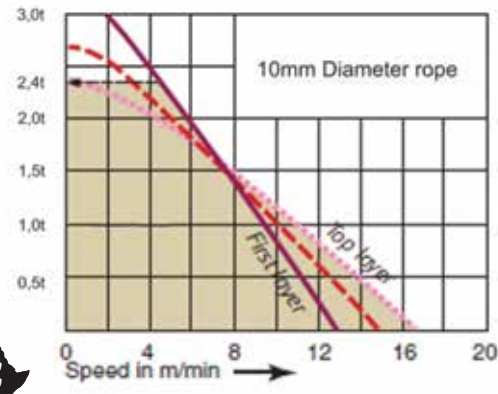
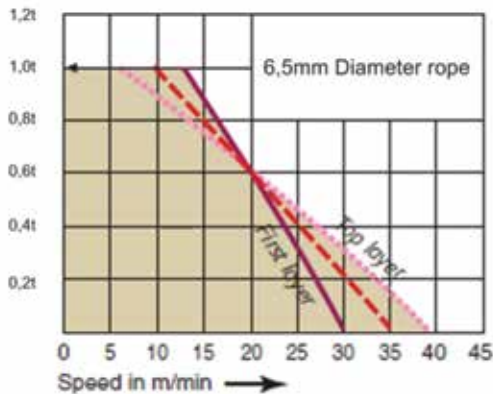


Additions

OD = No drum guard	MG = Marine grade paint finish
FLA = Filter lubricator assembly	FS = Free spool, declutchable
FRLA = Filter regulator lubricator assembly	ES = Estop
KN = Nickle, corrosion resistant finish	MLD = Mainline disconnect

* Declutchable drum for free spooling is only an option on pulling winches

SPECIFICATIONS											
Series		WL Model						WP Model			
		Lifting safety factor is 5:1, pulling safety factor is 3.5:1									
		Jr030	Jr030LD	Jr060	Jr060LD	Sr150	Sr150LD	Jr100	Jr100L	Sr240	Sr240L
Carrying Capacity	mt	0.3	0.3	0.6	0.6	1.5	1.5	1.0	1.0	2.4	2.4
Winch weight	kg/lbs	39/86	55/122	39/86	55/122	65/144	125/276	39/86	55/122	65/144	125/276
Air Consumption Full load	cfm	90	90	90	90	125	125	90	90	125	125
Air connection	mm	3/4" BSP									
Hose connection	mm	19 (3/4")									
Air pressure	bar	4.7 (Performance figures tested @ 6.3)									
Lifting Speed at Rated Load, 1st Layer	m/min / ft/min	35/114	35/114	21/69	21/69	7.5/24	7.5/24				
Pulling Speed at Rated Load, 1st Layer	m/min / ft/min							12/39	12/39	4/13	4/13
Recommended Rope Size	mm/in	5/0.1875	5/0.1875	6.5/.25	6.5/.25	10/0.375	10/ 0.375	6.5/0.25	6.5/0.25	10/0.375	10/0.375
Cumulated Working rope capacity											
Layer 1	m/ft	14/46	26/85	11/36	20/65	10/32	21/68	11/36	20/65	10/32	21/68
Layer 2	m/ft	30/98	55/180	23/75	43/141	21/68	44/144	23/75	43/141	21/68	44/144
Layer 3	m/ft	47/154	85/278	27/88	67/219	34/111	70/229	27/88	67/219	34/111	70/229
Layer 4	m/ft	65/213	118/387	51/167	93/305			51/167	93/305		
Layer 5	m/ft	84/275	152/498	67/219	122/400			67/219	122/400		
Layer 6	m/ft	104/341	188/616	84/275	152/498			84/275	152/498		
Layer 7	m/ft	125/410	226/741								
Layer 8	m/ft	147/482	266/892								
Minimum rope breaking Force	kN/lbs	15/3372	15/3372	30/6744	30/6744	75/16,860	75/16,860	35/7868	35/7868	84/18,883	84/18,883
Noise level	dB(A)	87									





CORROSION RESISTANT +V CLASS “WHITE” LOAD CHAIN

Made in Japan by Elephant Chain Block

A specialized manufacturer of the world's highest grade chain. Our chain adheres to the German DIN 5684. +V (plus V) class high tensile strength (105kgf/mm²) load chain, surpassing ISO grade V standards. See characteristics of the chain below.

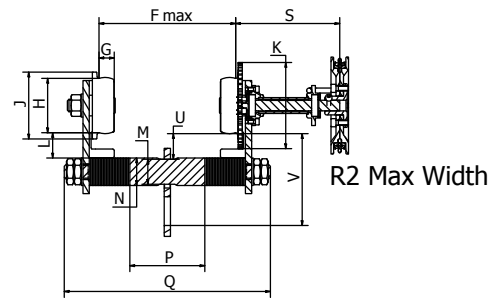
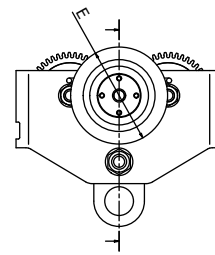
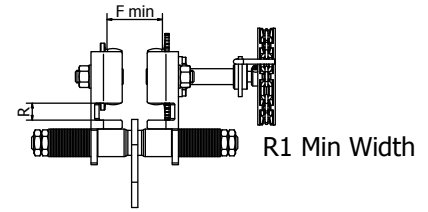
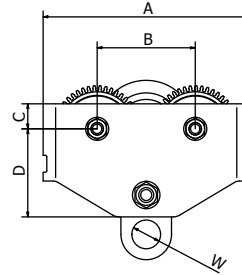
CHARACTERISTICS - ELEPHANT GRADE +V (PLUS V) LOAD CHAIN

Mechanical Properties	ISO 16872:2008 Grade VH, fine tolerance chain	ELEPHANT +V (plus V) load chain
Minimum breaking stress (kgf/m m2)	100	105
Total ultimate elongation (%)	Min 17.0	Min. 22.0
Temperature limit for ordinary use (F°)	32°	Min. -40° Max. +302°



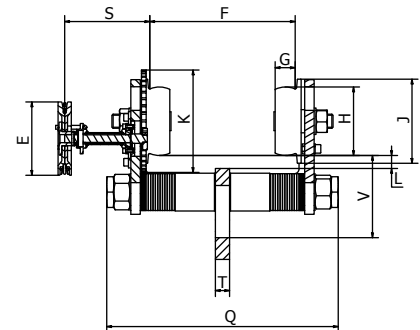
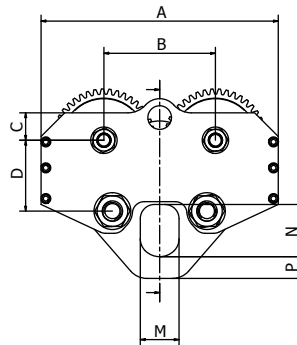


GRIPPA PUSH & GEARED TROLLEYS



0.5-5t Trolleys

- Solid carbon steel design
- Adjustable to fit various beam widths with traditional spacers
- Wheels of the units fit both I-beams and H-beams
- Trolley wheels are coated for corrosion resistance
- With anti-drop plates
- 100% stainless steel spark resistant & corrosion resistant units
- Lug mount adaptors are available for pneumatic hoist to trolley combination, only



10-40t Trolleys

Note: 40t trolley is a tandem design, request drawing from factory

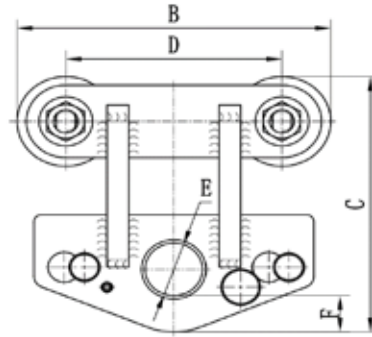
SPECIFICATIONS & DIMENSIONS - GRIPPA BEAM CRAWLS

Capacity	Model (BC, BCG)	A	B	C	D	E	Beam Width Range (F)	*F1 (Optional Extender Kit)	G	H	J	K	L	M	M1*	N	N1*	P	Q	R	S	T	U	*U1	Head-room (V)	*V1	W	Min Beam Radius (in)	Unit Weight, Push (lbs)	Unit Weight, Geared (lbs)
0.5t	BC050	7.4	3.7	1.1	3.3	N/A	1.9 - 5.6	N/A	0.6	2.2	3.0	NA	1.6	1.0	1.3	1.2	1.6	2.9	9.1	0.8	N/A	N/A	18	18	5.9	5.7	Ø1.77	29.5	12.1	N/A
1t	BC1	9.6	4.5	1.4	4.3	6.1	2.9 - 8.3	8.1 - 14	0.7	2.6	3.3	3.8	2.2	1.0	1.6	1.4	1.7	4.3	11.8	1.0	6.2	N/A	25	0.9	6.7	5.7	Ø1.77	35.4	22.25	30
2t	BC2	13.0	6.2	1.6	4.7	6.1	3.5 - 8.6	8.46 - 14.0	1.0	3.5	4.2	5.4	1.9	1.2	1.9	1.6	2.1	4.7	13.8	1.0	6.2	N/A	16	15	5.8	7.8	Ø1.8	43.3	42	50
3t	BC3	13.0	6.2	1.6	5.3	6.1	3.9 - 8.2	8.1 - 14.0	1.0	3.5	4.2	5.4	2.4	1.4	2.2	1.9	2.4	4.9	12.8	1.1	6.2	N/A	25	13	8.0	8.3	Ø2.36	43.3	53	62
5t	BC5	14.4	6.9	1.6	6.5	6.1	4.4 - 8.3	8.1 - 14.0	1.4	4.3	5.5	5.9	2.9	1.6	N/A	2.4	N/A	5.9	14.6	1.4	6.6	N/A	28	N/A	8.6	N/A	Ø2.68	59	92	101
10t	BC10	19.8	9.3	2.3	5.9	6.1	6.8 - 12.0	**	1.7	5.7	7.0	8.5	1.1	3.2	**	4.3	**	1.8	19.3	1.1	7.1	1.2	**	**	6.9	**	**	82.6	232	250
20t	BC20	24.0	11.4	4.7	10.4	8.1	6.8 - 12.0	**	2.6	7.9	9.6	10.8	3.3	4.3	**	5.9	**	2.8	21.7	1.6	8.6	1.6	**	**	10.2	**	**	137	618	630
40t	BC40	52.0	**	5.3	9.3	7.9	6.8 - 12.0	**	2.6	7.9	9.6	10.8	3.3	4.9	**	5.9	**	3.3	23.6	2.0	8.2	2.4	**	**	11.6	**	**	**	1510	1542

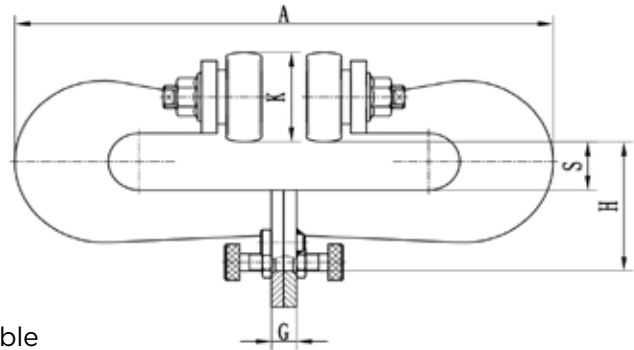
* Wide Beam Extender Kit Option
 ** Contact Factory for Additional Information



QBT QUICK BEAM TROLLEY



- Capacity Range: 1t - 10t
- Heavy Duty Quick Install Push Type Trolley
- Simple Installation, No Special Tools Required
- Fits both 'S' beams and 'W' beams
- Low Profile Design
- Corrosion Resistant Stainless Steel Plungers
- Corrosion Resistant Double Sealed Bearings
- Meets or Exceeds ASME B30.16 Where Applicable
- Bearings and Plunger Assembly are Serviceable



SPECIFICATIONS & DIMENSIONS - QUICK BEAM TROLLEY				
Capacity (lbs)	2200	6600	13,200	22,000
Rated Capacity (t)	1	3	6	10
Test Load (t)	1.27	3.83	7.66	12.77
Minimum Beam Radius (ft)	3.9	4.9	6.6	8.2
A	13.6	13.1	17.7	19.7
B	8.0	10.2	12.2	15.7
C	7.1	9.1	11.7	13.6
D	5.5	7.0	9.0	10.2
H	3.6	4.8	6.8	6.9
S	1.3	1.1	2.0	2.0
E	1.5	2.6	3.5	3.5
F	1.0	1.0	1.7	1.4
G	0.6	0.8	1.1	1.6
K	2.5	3.2	4.2	5.5
Beam Width Range (in)	2.8 - 7.99	2.9 - 7.99	4.0 - 10.0	5.0 - 10.0
Unit Weight (lbs)	21.4	37.0	67.0	156.5

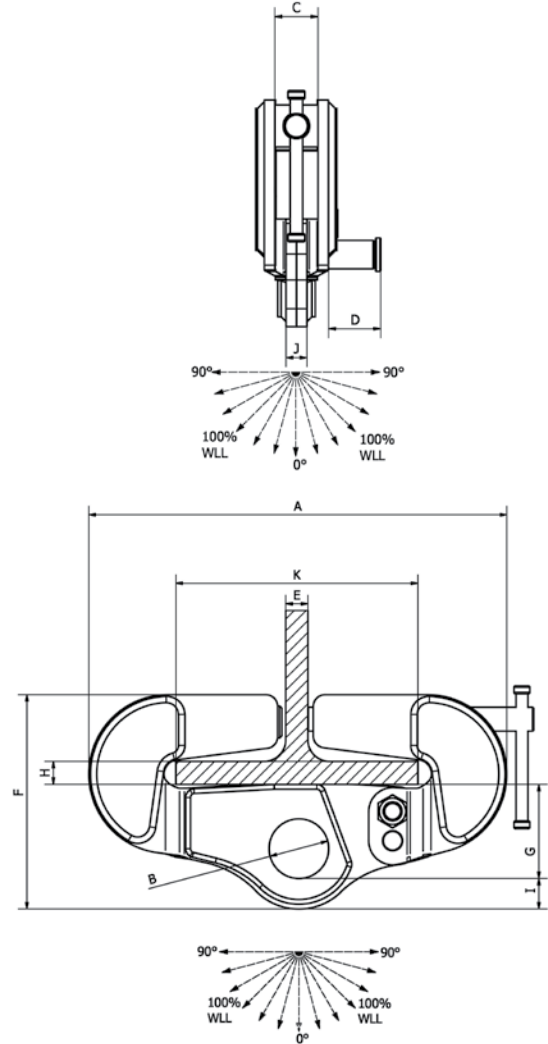




UNIVERSAL GRIPPA CLAMP



- Designed for vertical & side load applications at full rated capacity
- Developed for lifting, pulling, and as an anchor point
- The raised eye design allows for a full 90° side pull from both sides
- Low headroom concept
- Can be rated for personnel tie-off, upon request
- 4:1 safety factor
- Individually Load tested to 2x the rated load



SPECIFICATIONS & DIMENSIONS - UNIVERSAL GRIPPA CLAMP

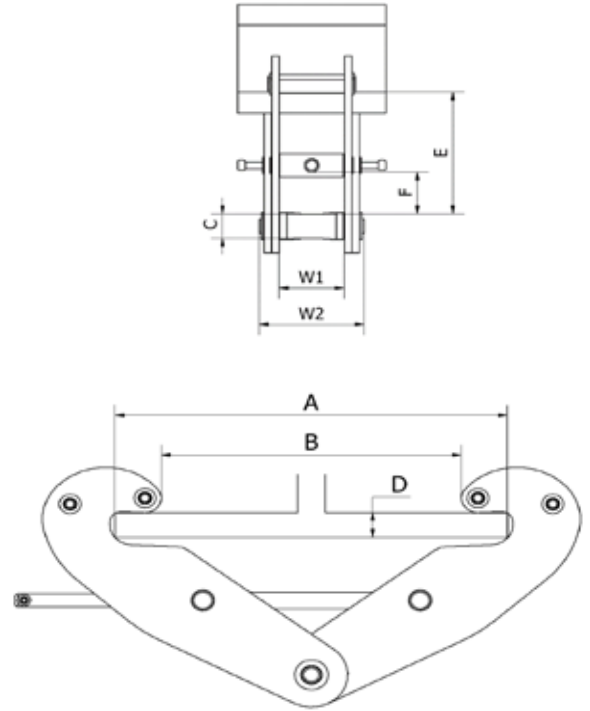
MODEL	S.W.L. (t)	S.W.L. (Ton)	A	Ø B	C	D	E	F	G	H	I	J	K	WEIGHT (lbs)
UGC-2	2	2.2	14.2	2.0	2.0	2.0	1.3	8.2	3.6	1.0	0.9	0.6	4.9 to 8.0	22
UGC-3	3	3.3	15.4	2.7	2.0	2.0	1.3	9.0	3.9	1.0	1.1	0.8	4.9 to 8.0	31
UGC-5	5	5.5	20.7	3.0	2.0	2.0	1.3	10.6	4.7	1.0	1.5	1.0	4.9 to 12.00	62
UGC-10	10	11	20.7	3.0	2.0	4.0	1.3	10.7	4.7	1.0	1.5	2.0	4.9 to 12.00	93
UGC-20	20	22	27.6	4.7	3.7	*	1.6	*	*	1.8	*	1.6	4.9 to 20.5	145

If the end user is solely using the clamp for hanging vertical loads under a beam, then a standard girder clamp is recommended. Reasoning is that in the event of a shock load, the UGC could slide into the radius of the web, potentially causing damage to the clamp heads and the beam.





GRIPPA GIRDER CLAMPS



SPECIFICATIONS & DIMENSIONS - GRIPPA GIRDER CLAMP PREMIUM INDUSTRIAL OPTION

MODEL	S.W.L. (kg)	S.W.L. (lbs)	APERTURE (in.)		WIDTH (in.)		"C" (in.)	"D", Beam Thickness (in)	"E" (in)	"F" (in)	WEIGHT (lbs)
			"A"	"B" MAX	W1	W2					
GS-2	2000	4400	2.9-9.8	9.8	2.5	3.9	0.87	0.91	4.02-5.56	1.20-2.38	10
GS-3	3000	6600	3.3-11.8	11.8	2.8	4.7	1	1.40	4.99-6.81	1.62-3.03	17.5
GS-5	5000	11000	4.7-16.9	16.9	3.3	5.6	1.3	2.30	7.24-9.79	2.63-4.62	36
GS-10	10000	22000	7.8-17.7	17.7	4.1	7.3	1.8	2.70	8.17-10.57	2.59-4.31	73
GS-20	20000	44000	7.8-18.9	18.9	4.7	9.3	2.4	3.09	9.16-11.42	3.40-5.24	141
GS-32	32000	70500	9.0-30.0	30	9	14.4	3.4	3.1	13.4-17.77	6.13-10.4	313
GS-32-36 inch	32000	70500	9.0-36.0	36.3	9	14.4	3.4	3.1	15.6-21.3	6.00-9.00	341

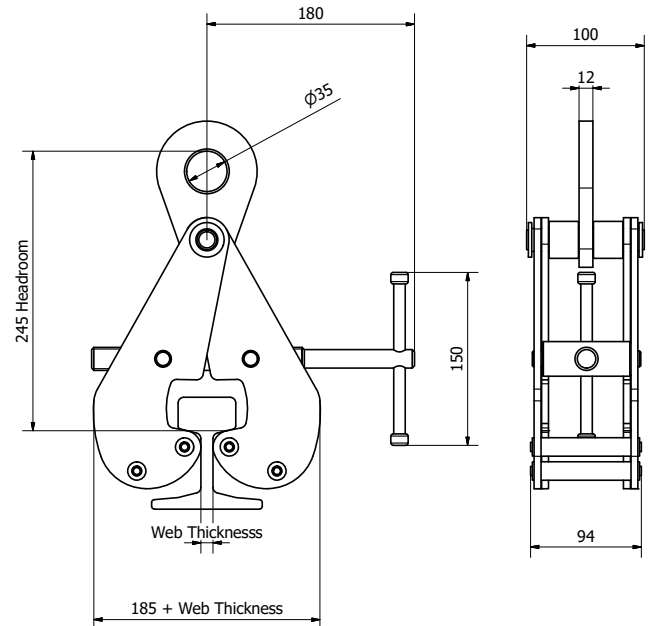
SPECS & DIMS. GRIPPA GIRDER CLAMP - CORROSION RESISTANT, SPARK RESISTANT, 100% STAINLESS STEEL CONSTRUCTION

MODEL	S.W.L. (kg)	S.W.L. (lbs)	APERTURE (in.)		WIDTH (in.)		"C" (in.)	Max Beam Thickness (in)	"E" (in)	"F" (in)	WEIGHT (lbs)
			"A"	"B" MAX	W1	W2					
GS-2-SS	2000	4400	2.9-9.8	9.8	2.5	3.9	0.87	0.7	4.02-5.56	1.20-2.38	10
GS-3-SS	3000	6600	3.3-11.8	11.8	2.8	4.7	1	0.9	4.99-6.81	1.62-3.03	17.5
GS-5-SS	5000	11000	4.7-16.10	16.9	3.4	5.6	1.4	1.2	7.12-9.75	2.47-4.53	37





GRIPPA ADJUSTABLE RAIL LIFTING CLAMPS



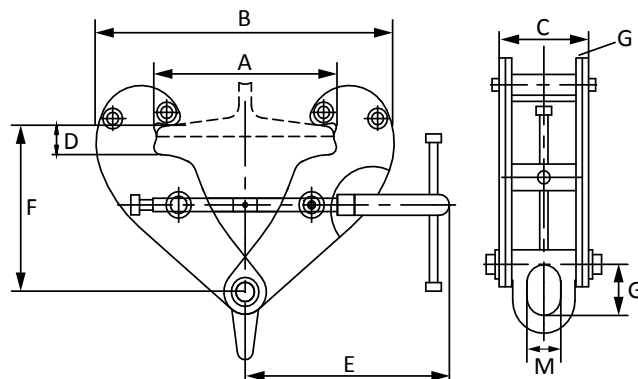
- 3 ton capacity
- Heavy duty clamp, originally designed for the harsh mining environments of South Africa
- Robust steel construction
- Suitable for most rail sizes
- This clamp should be used in pairs

SPECIFICATIONS & DIMENSIONS - GRIPPA ADJUSTABLE RAIL LIFTING CLAMPS

MODEL	S.W.L. (kg)	S.W.L. (lbs)	WIDTH	HOLE "C"	WEIGHT (lbs)
GCRC3	3000	6600	DIMENSIONS SAME AS MODELS GS/GH + 2T UNIT		17



EYE BEAM CLAMP



This I-beam clamp can be used as an anchor for various applications and for any type of construction. The 'eye' shackle design assists the user in rigging, and the zinc plated clamp screw assembly allows for easy adjustment of the clamp. This clamp features metric capacities that range from 1, 2, 3, 5, and 10 tons.

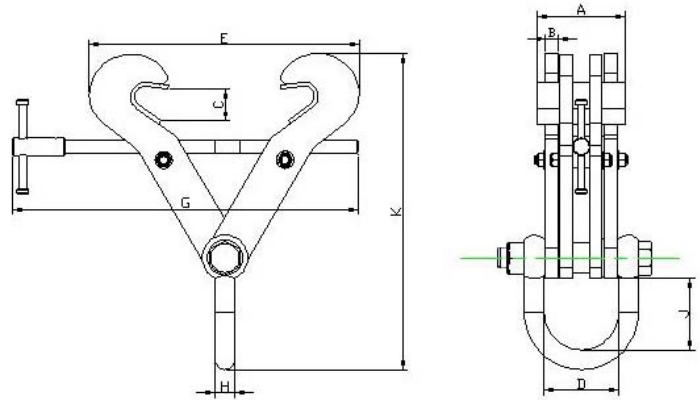
SPECIFICATIONS & DIMENSIONS - EYE BEAM CLAMP						
Model		EBC-1	EBC-2	EBC-3	EBC-5	EBC-10
S.W.L.	(lbs)	2200	4400	6600	11000	22000
S.W.L.	US ton	1.1	2.2	3.3	5.5	11
Weight	(lbs)	11	12	24	30	45
Dimensions (in)	A	3.1-9.6	3.1-9.6	3.5-12.2	3.5-12.2	3.5-11.8
	B	7.2-14.7	7.2-14.7	9.4-20.4	9.4-20.4	9.4-20.4
	C	2.6	2.9	4.1	4.4	4.7
	D	0.7	0.7	1.1	1.1	1.1
	E	8.3	8.3	10.2	10.2	11
	F	4-6.4	4-6.4	5.3-8.8	5.3-8.8	6.2-9
	G	0.98	0.98	1.77	1.77	1.97
	M	1.10	1.1	1.7	1.7	2.3

* Load ratings are based upon 0 to 15° vertical lift.

* Consult a certified rigger when in doubt, for rigging and placement of the clamps



JUMBO BEAM CLAMP



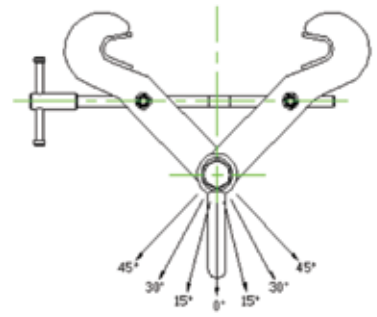
The Jumbo Beam Clamp is a great option for rigging applications. This clamp line features a wide jaw opening for wide flange beams used throughout industry. The JBC's clamp screw assembly is also zinc plated. This clamp series features metric capacities that range from 3, 5, 6, 10 and 16 tons.

SPECIFICATIONS & DIMENSIONS - JUMBO BEAM CLAMP

Type	S.W.L. (lbs.)	S.W.L. US Ton	Beam Width (inch)	Dimensions (inch)									Jaw Type	Weight (lbs)
				A	B	C	D	E max	G	H	J	K min		
JBC-3A	6600	3.3	3.00-7.48	5.12	0.55	1.06	4.21	10.71	10.87	0.79	3.35	10.00	Fixed	18
JBC-5A	11000	5.5	6.00-12.00	5.50	0.55	1.81	4.80	17.72	16.10	0.98	3.90	12.56	Fixed	33
JBC-5B	11000	5.5	3.00-7.48	5.50	0.55	1.81	4.80	13.39	13.35	0.98	3.90	12.99	Fixed	22
JBC-6	13200	6.6	8.00-18.00	6.60	0.55	2.17	4.57	23.62	22.01	0.98	3.90	16.46	Fixed	42
JBC-10	22000	11	8.00-18.00	5.51	0.79	2.17	4.69	23.62	22.01	1.26	3.90	16.46	Fixed	62
JBC-16A	35000	17.6	16.00-24.00	6.89	0.79	3.00	5.12	24.02	31.89	1.77	7.87	25.75	Fixed	135
JBC-16B	35000	17.6	8.00-18.00	6.89	0.79	3.00	5.12	17.99	25.98	1.77	7.87	22.60	Fixed	119

SIDE LOAD ACROSS BEAM ONLY - CLAMP MUST BE FLUSH ON BEAM WITH SHACKLE AT A ZERO DEGREE DOWNWARD FACING ANGLE

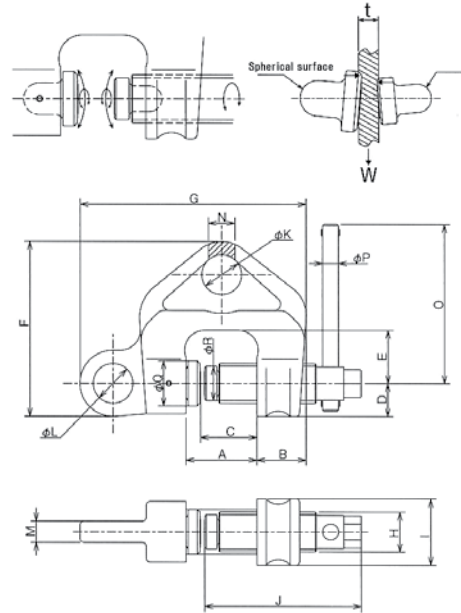
Chart only applies to overhead beam attachment. If clamps are being used to lift beams, this information is not applicable. Table applies to the listed models only. Stress calculations should be performed by the end user's engineering dep.	Reduction in working load limit when side loads are applied				
	Angle from vertical (degree)	0	0 to 15	15 to 30	30 to 45
	Reduction Factor	NIL	17.00%	34.00%	50.00%
	Model	WLL	WLL	WLL	WLL
	JBC-3A	3 ton	2.5 ton	2 ton	1.5 ton
	JBC-5A	5 ton	4.1 ton	3.3 ton	2.5 ton
	JBC-6	6 ton	5 ton	4 ton	3 ton
	JBC-10	10 ton	8.3 ton	6.6 ton	5 ton
	JBC-16B JBC-16A	16 ton	13.2 ton	10.5 ton	8 ton



* Warning: Clamps must be installed properly and fully tightened
 * Always contact the manufacturer when in doubt



WF SCREW TYPE CLAMP OMNIDIRECTIONAL DOUBLE CAM LOCK SCREW TYPE CLAMP



- One of the world's lightest screw clamps: Main body, cam and screw are made of a special alloy steel which is manufactured using our original heat treatment process. They are compact and superior in strength.
- The round double cam lock design allows for a stronger clamping capacity and safe operation. The turning of the round double cams engages the clamp load. Both cams contact the internal spherical surface assuring safe operation, free from slipping.
- Two lifting holes allow for omnidirectional, vertical and horizontal lifts.
- The clamp can be used to hoist inclined loads such as I-beams. **Do not place on a beam taper that exceeds 10°.**
- The fine screw threading creates a vibration resistant clamp.
- Round cam and screw are corrosion resistant with the main body of the clamp having a baked finish.
- Lifting & Transporting: General steel products such as H beams, I beams, steel plate, channel and angle iron. Various structures also include steel braces and pillars.
- Suspension: Clamps can be used for suspending manual chain hoists, electric chain hoists, etc...
- Dragging: The clamps can be used for pulling bottom steel board and other objects along the ground.

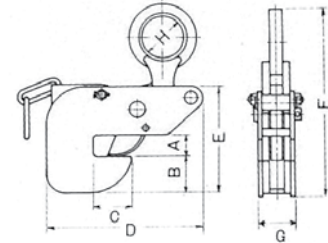
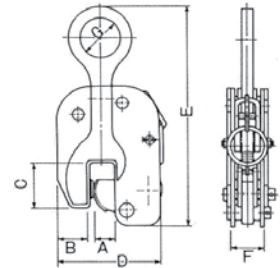
SPECS. - WF SCREW TYPE CLAMP				
Model	Capacity (t)	Min. Capacity (t)	Jaw Opening (in)	Weight (lbs)
WF-0.5	0.5	0.1	.11 - 1.10	3.7
WF-1	1	0.2	.11 - 1.57	6.4
WF-2	2	0.4	.11 - 1.77	11.7
WF-3	3	0.6	0.24 - 1.93	15.9
WF-5	5	1	0.35 - 2.08	23.4

DIMS - WF SCREW TYPE CLAMP																		
Model	A	B	C	D	E	F	G	H	I	J	øK	øL	M	N	O	øP	øQ	øR
WF-0.5	1.61	1.26	1.20	0.83	1.30	4.25	5.43	0.94	1.65	3.86	0.98	0.98	0.47	0.63	4.72	0.39	1.02	0.83
WF-1	2.11	1.50	1.67	0.98	1.57	5.20	6.77	1.18	1.97	4.65	1.18	1.18	0.63	0.79	4.72	0.47	1.34	1.42
WF-2	2.36	1.77	1.87	1.22	1.61	6.18	7.95	1.42	2.44	4.96	1.38	1.38	0.87	1.10	5.91	0.47	1.42	1.14
WF-3	2.58	2.05	2.03	1.38	2.17	6.69	9.06	1.65	2.76	5.47	1.65	1.65	1.10	1.30	6.30	0.47	1.57	1.42
WF-5	2.80	2.24	2.19	1.50	1.81	7.36	9.76	1.89	2.95	5.39	1.81	1.81	1.50	1.57	7.09	0.47	1.61	1.42

ø = Diameter



VA & HAR PLATE CLAMPS



- Heavy duty industrial design, Made in JAPAN
- Elephant's clamp mechanism will visually inform the end user of potential danger caused by wear or previous overload upon the user's inspection, before use
- The lifting eye has vertical and horizontal hole punches which allow the end user to check for overload. For example, if the lifting eye appears oblong on a 1t clamp and the difference of distance between two vertical holes or two horizontal holes are more than 0.08" (2mm), then the overload was about 6 tons
- Overload will first appear as a visual indicator on the lifting eye, when it oblongs. After the eye, deformation will appear in the link assembly, and then the lifting eye pin.
- The tread on the clamp's cam will wear with time, allowing a visual inspection. As the teeth wear down, the user visually notes to make repair
- The clamps have yellow indicators painted on the side plates, which allow the user to check whether or not the load is properly placed within the clamp before use (going past or above the yellow line, verses going above or next to the yellow line). See the user manual for more detailed information.
- 5:1 Safety Factor

DIMENSIONS (IN.) - VERTICAL PLATE CLAMPS

Model	Capacity (t)	Thickness (in)	A	B	C	D	E	F	G	Unit Wt (kg/lbs)
VA-05	0.5	0-0.866	0.9	1.2	2.1	4.5	8.4	1.5	1.8	3.1 / 7
VA-1	1	0-0.98	1.1	1.7	2.6	5.5	10.1	1.8	2.2	5.3 / 12
VA-2	2	0-1.4	1.5	2.0	3.1	6.7	14.0	1.9	2.3	6.2 / 18
VA-3	3	0-1.57	1.7	2.2	3.6	7.8	16.5	2.4	2.8	13.6 / 30
VA-5	5	0-1.96	2.1	2.6	4.1	9.2	19.6	2.8	3.5	20.9 / 46

DIMENSIONS (IN.) - HORIZONTAL PLATE CLAMPS

Model	Capacity (t)	Thickness	A	B	C	D	E	F	G	H	Unit Wt (kg/lbs)
HAR-05	0.5	0-0.866	0.9	1.6	2.2	7.1	4.8	8.3	1.9	1.8	3.7 / 8
HAR-1	1	0-0.98	1.1	1.8	2.3	8.4	5.4	9.6	2.2	2.2	6.3 / 14
HAR-2	2	0-1.4	1.5	2.3	3.0	9.3	6.9	11.8	2.9	2.4	10.6 / 23
HAR-3	3	0-1.57	1.7	2.5	3.7	10.6	7.3	13.3	3.1	2.8	12.2 / 27
HAR-5	5	0-1.77	1.9	3.0	3.8	11.8	8.5	15.5	3.3	3.5	18.7 / 41



LOAD TEST STANDS

- Hand operated hydraulic pump eliminates the need for electrical power.
- Designed for testing of hoisting equipment as required by ASME B30.16
- Capable of static testing and dynamic testing.
- Tests the function of load limiting and overload devices.
- Rugged, reinforced steel frame construction for strength and durability.
- High quality hydraulic cylinder made for long life and durability.
- Two stage, quick acting hand pump for speed and ease of operation.
- Fine adjustment pressure valve for accurate load testing.
- Large pressure gauge for easy reading.
- Software template for technical printout of test results.
- Hydraulic pump located on the side for safe operation.



Technical Data: Model ETS-7.5

- Mobil Test Stand, with base mounted wheels and "fork slots" for easy movement
- Overall Dim.: 27"Wx25"Lx61"H
- Hydraulic Cylinder Type:
Single acting, spring return
- Maximum pulling force: 7.5 tons (15,000 lbs) @ 6,787 p.s.i.
- Stroke: 2-1/2" inches
- 16" between vertical supports
- 36" height between bearing points
- Hydraulic Hand Pump: 2 speed
- System pressure: 0 – 7,000 psi
- Weight: 228 lbs.

Technical Data: Model ETS-20

- Overall Dim.: 48"Wx40"Lx99"H
- Hydraulic Cylinder: Single acting, spring return
- Maximum pulling force: 20 tons @ 8,466 p.s.i.
- Stroke: 6 inches
- Hydraulic Hand Pump:
 - 35-1/2" between vertical supports 56" height between bearing points
 - 2 speed
 - System pressure: 0 – 10,000 p.s.i.
 - Reservoir: 5.14 pints
 - Valve: Two speed, fine adjustment pressure preset
 - Gauge: Glycerin filled – 4.0" dia.
- Frame: Mounting holes in base for permanent mount
- Weight: 735 lbs.

Technical Data: Model ETS-30

- Overall Dim.: 59"Wx186"Lx50"H
- Hydraulic Cylinder
 - Type: Single acting, spring return
 - Maximum pulling force: 30 tons @ 6,944 p.s.i.
 - Stroke: 6 inches
- Hydraulic Hand Pump:
 - 34-1/4" between vertical supports 140" between bearing points
 - 2 speed
 - System pressure: 0 – 10,000 p.s.i.
 - Reservoir: 5.14 pints
 - Valve: Two speed, fine adjustment pressure preset
 - Gauge: Glycerin filled – 4.0" dia.
- Frame: American Steel
- Weight: 2242 lbs.



WARRANTY

All hoists sold by Elephant Lifting Products, L.L.C. are assembled, inspected, and tested prior to shipment from the factory site.

All manual hoist products, manual trolleys, and beam / girder clamps carry a 1 year warranty. All pneumatic and electric hoist products have a 1 year warranty period. Spare parts will also carry a 1 year warranty period. These products are warranted to be free from defects in workmanship and in materials used in the construction of each unit. The warranty date of these products begins from the date of shipment by any authorized Elephant Lifting Products, L.L.C. distributor.

All of these hoist products must be used within accordance of the manufacturer's recommendations. It is important that these products not be altered, abused, misused, neglected of proper maintenance, or have any unauthorized repairs done to them. If failure occurs, and inspection reveals that the problem is caused by defective materials or workmanship, repairs will be made without charge to the customer. A customer must obtain an RGA number before return. Elephant Lifting Products will then instruct which authorized repair center the unit and / or units should be shipped to. All approved warranty claims on products will be shipped back to the customer, freight prepaid. Warranty does not cover products that are abused, overloaded, neglected of maintenance, used improperly, side loaded, shock loaded, or subjection to harmful environmental conditions.

Elephant Lifting Products, L.L.C. will not be liable for loss, damage, expense, injury to property, injury to people, death, any consequential damages and disclaims any other expressed / implied product warranty, including warranties of merchant ability and fitness for a particular application. A valid proof of purchase must accompany the warranty claim.

WARNING: Unless otherwise specified, these machines are not designed for personnel handling or lifting loads above people. It is the user's responsibility to determine what equipment is suitable for the application, and to comply with regulation. Always read and understand the operations manual, review warnings, and take precaution. It is strongly recommended that you understand suggested maintenance of the product, and have a maintenance plan in place.



Circa 1950s



Circa 1960s



Circa 1980s



Circa 2000s

ELEPHANT LIFTING PRODUCTS, LLC

38381 N. Robert Wilson Rd. | Gonzales, Louisiana 70737 | USA
Toll Free: 1.888.844.6113 | Phone: 1.225.644.6113 | Fax: 1.225.644.6695
www.elephantlifting.com | sales@elephantlifting.com