



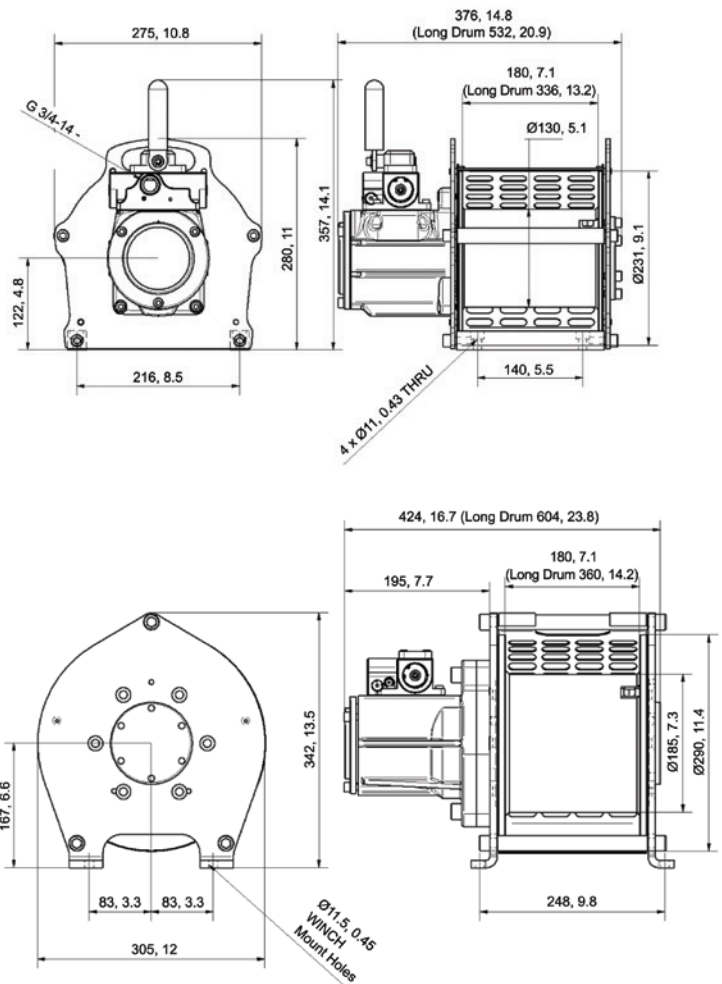
ATS PNEUMATIC WINCHES

Jr0.3t ~ Sr2.4t

ATS Air Winches are designed for Lifting and pulling applications in difficult applications like Marine, Offshore industry, Mining or wherever heavy loads have to be moved in confined spaces.

Standard Features:

- Rust free & replaceable stainless steel cylinder.
- 100% duty cycle.
- Ideal for working in hazardous areas (explosive environments).
- Temperature rated -20°C to 70°C.
- Insensitive to dust and humidity.
- Designed to conform with ASME 30.7 and FEM Classification 1Bm.
- Designed with a 5:1 factor of safety for lifting.
- Automatic self-adjusting multi disc brake 125% WLL
- Tried and tested Delta P load limiting device set 130% WLL for all CE model (lifting only).
- Spark resistant (Atex Zone 1 & 2).
- Compact design and lowest weight in class.
- Pilot pendant control with emergency shut-off valve or Variable speed toggle control.
- OPTIONAL Declutchable drum for free spooling.
- Individually load tested before shipment - Delivered with Load Test Certificate.

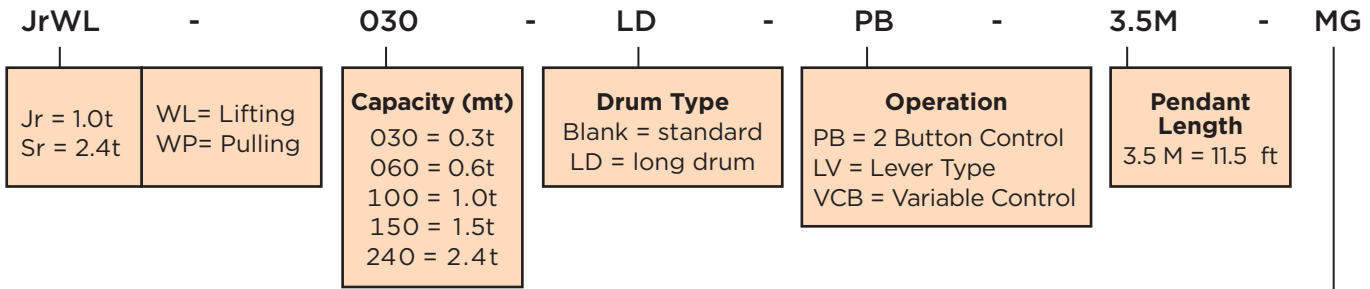


Above schematics
mm, in



Structure of our Model Numbers

Example JrWL-030-LD-PB-3.5M-MG



Additions

- OD = No drum guard
- FLA = Filter lubricator assembly
- FRLA = Filter regulator lubricator assembly
- KN = Nickle, corrosion resistant finish
- MG = Marine grade paint finish
- FS = Free spool, declutchable
- ES = Estop
- MLD = Mainline disconnect

* Declutchable drum for free spooling is only an option on pulling winches

SPECIFICATIONS

Series		WL Model						WP Model			
		Lifting safety factor is 5:1, pulling safety factor is 3.5:1									
		Jr030	Jr030LD	Jr060	Jr060LD	Sr150	Sr150LD	Jr100	Jr100L	Sr240	Sr240L
Carrying Capacity	mt	0.3	0.3	0.6	0.6	1.5	1.5	1.0	1.0	2.4	2.4
Winch weight	kg/lbs	39/86	55/122	39/86	55/122	65/144	125/276	39/86	55/122	65/144	125/276
Air Consumption Full load	cfm	90	90	90	90	125	125	90	90	125	125
Air connection	mm	3/4" BSP									
Hose connection	mm	19 (3/4")									
Air pressure	bar	4.7 (Performance figures tested @ 6.3)									
Lifting Speed at Rated Load, 1st Layer	m/min / ft/min	35/114	35/114	21/69	21/69	7.5/24	7.5/24				
Pulling Speed at Rated Load, 1st Layer	m/min / ft/min							12/39	12/39	4/13	4/13
Recommended Rope Size	mm/in	5/0.1875	5/0.1875	6.5/.25	6.5/.25	10/0.375	10/0.375	6.5/0.25	6.5/0.25	10/0.375	10/0.375
Cumulated Working rope capacity											
Layer 1	m/ft	14/46	26/85	11/36	20/65	10/32	21/68	11/36	20/65	10/32	21/68
Layer 2	m/ft	30/98	55/180	23/75	43/141	21/68	44/144	23/75	43/141	21/68	44/144
Layer 3	m/ft	47/154	85/278	27/88	67/219	34/111	70/229	27/88	67/219	34/111	70/229
Layer 4	m/ft	65/213	118/387	51/167	93/305			51/167	93/305		
Layer 5	m/ft	84/275	152/498	67/219	122/400			67/219	122/400		
Layer 6	m/ft	104/341	188/616	84/275	152/498			84/275	152/498		
Layer 7	m/ft	125/410	226/741								
Layer 8	m/ft	147/482	266/892								
Minimum rope breaking Force	kN/lbs	15/3372	15/3372	30/6744	30/6744	75/16,860	75/16,860	35/7868	35/7868	84/18,883	84/18,883
Noise level	dB(A)	87									

