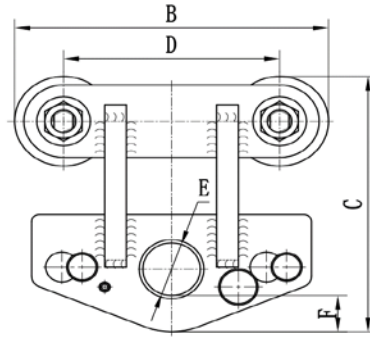
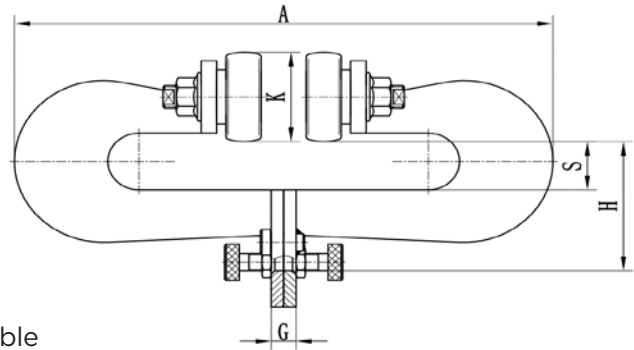


QBT QUICK BEAM TROLLEY



- Capacity Range: 1t - 10t
- Heavy Duty Quick Install Push Type Trolley
- Simple Installation, No Special Tools Required
- Fits both 'S' beams and 'W' beams
- Low Profile Design
- Corrosion Resistant Stainless Steel Plungers
- Corrosion Resistant Double Sealed Bearings
- Meets or Exceeds ASME B30.16 Where Applicable
- Bearings and Plunger Assembly are Serviceable



| SPECIFICATIONS & DIMENSIONS - QUICK BEAM TROLLEY | | | | |
|--|------------|------------|------------|------------|
| Capacity (lbs) | 2200 | 6600 | 13,200 | 22,000 |
| Rated Capacity (t) | 1 | 3 | 6 | 10 |
| Test Load (t) | 1.27 | 3.83 | 7.66 | 12.77 |
| Minimum Beam Radius (ft) | 3.9 | 4.9 | 6.6 | 8.2 |
| A | 13.6 | 13.1 | 17.7 | 19.7 |
| B | 8.0 | 10.2 | 12.2 | 15.7 |
| C | 7.1 | 9.1 | 11.7 | 13.6 |
| D | 5.5 | 7.0 | 9.0 | 10.2 |
| H | 3.6 | 4.8 | 6.8 | 6.9 |
| S | 1.3 | 1.1 | 2.0 | 2.0 |
| E | 1.5 | 2.6 | 3.5 | 3.5 |
| F | 1.0 | 1.0 | 1.7 | 1.4 |
| G | 0.6 | 0.8 | 1.1 | 1.6 |
| K | 2.5 | 3.2 | 4.2 | 5.5 |
| Beam Width Range (in) | 2.8 - 7.99 | 2.9 - 7.99 | 4.0 - 10.0 | 5.0 - 10.0 |
| Unit Weight (lbs) | 21.4 | 37.0 | 67.0 | 156.5 |

