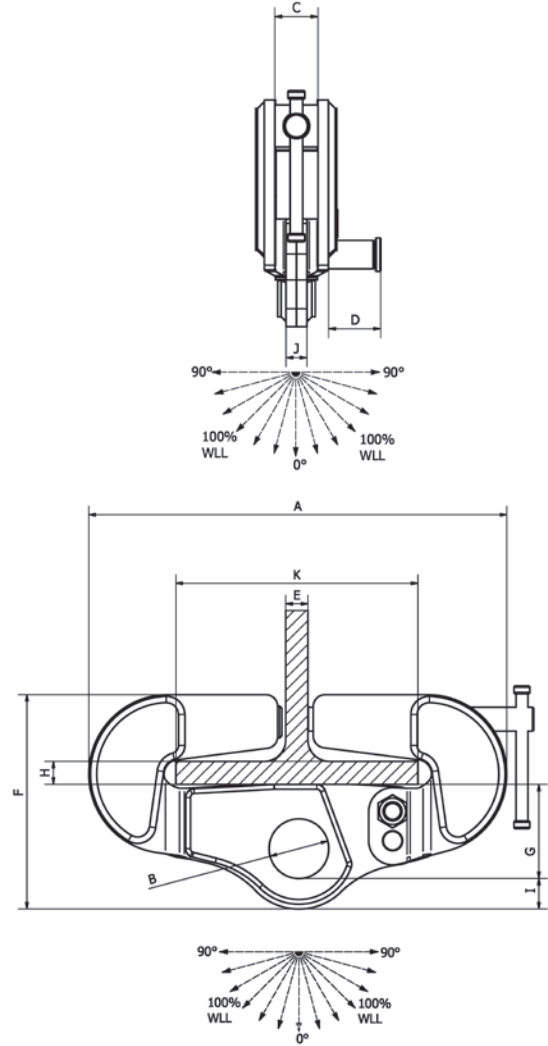




UNIVERSAL GRIPPA CLAMP



- Designed for vertical & side load applications at full rated capacity
- Developed for lifting, pulling, and as an anchor point
- The raised eye design allows for a full 90° side pull from both sides
- Low headroom concept
- Can be rated for personnel tie-off, upon request
- 4:1 safety factor
- Individually Load tested to 2x the rated load



SPECIFICATIONS & DIMENSIONS - UNIVERSAL GRIPPA CLAMP

| MODEL | S.W.L. (t) | S.W.L. (Ton) | A | Ø B | C | D | E | F | G | H | I | J | K | WEIGHT (lbs) |
|--------|------------|--------------|------|-----|-----|-----|-----|------|-----|-----|-----|-----|--------------|--------------|
| UGC-2 | 2 | 2.2 | 14.2 | 2.0 | 2.0 | 2.0 | 1.3 | 8.2 | 3.6 | 1.0 | 0.9 | 0.6 | 4.9 to 8.0 | 22 |
| UGC-3 | 3 | 3.3 | 15.4 | 2.7 | 2.0 | 2.0 | 1.3 | 9.0 | 3.9 | 1.0 | 1.1 | 0.8 | 4.9 to 8.0 | 31 |
| UGC-5 | 5 | 5.5 | 20.7 | 3.0 | 2.0 | 2.0 | 1.3 | 10.6 | 4.7 | 1.0 | 1.5 | 1.0 | 4.9 to 12.00 | 62 |
| UGC-10 | 10 | 11 | 20.7 | 3.0 | 2.0 | 4.0 | 1.3 | 10.7 | 4.7 | 1.0 | 1.5 | 2.0 | 4.9 to 12.00 | 93 |
| UGC-20 | 20 | 22 | 27.6 | 4.7 | 3.7 | * | 1.6 | * | * | 1.8 | * | 1.6 | 4.9 to 20.5 | 145 |

If the end user is solely using the clamp for hanging vertical loads under a beam, then a standard girder clamp is recommended. Reasoning is that in the event of a shock load, the UGC could slide into the radius of the web, potentially causing damage to the clamp heads and the beam.

