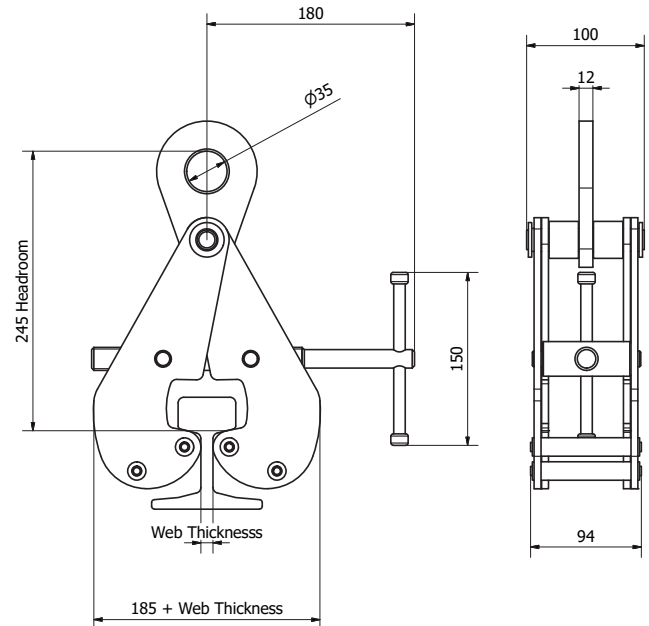




## GRIPPA ADJUSTABLE RAIL LIFTING CLAMPS



- 3 ton capacity
- Heavy duty clamp, originally designed for the harsh mining environments of South Africa
- Robust steel construction
- Suitable for most rail sizes
- This clamp should be used in pairs

### SPECIFICATIONS & DIMENSIONS - GRIPPA ADJUSTABLE RAIL LIFTING CLAMPS

MODEL	S.W.L. (kg)	S.W.L. (lbs)	WIDTH	HOLE "C"	WEIGHT (lbs)
GCRC3	3000	6600	DIMENSIONS SAME AS MODELS GS/GH + 2T UNIT		17

