



ATS LOW PROFILE 0.25ton - 6ton

Ideal for areas where headroom is restricted and standard trolleys are not able meet the lifting height requirements, the ATS UL Series Low Headroom Trolleys are recommended.

SPECIFICATIONS - ATS ULTRA LOW PROFILE 0.25ton - 6ton

		ATSUL-025	ATSUL-050	ATSUL-1	ATSUL-2	ATSUL-3	ATSUL-4.2	ATSUL-5	ATSUL-6
Trolley Model / Trolley Carrying Capacity		LM-2, 2ton				LM-6, ton			
Carrying Capacity of Hoist with Trolley	mt	0.25	0.5	1	2	3	4.2	5	6
	T	0.27	0.55	1.1	2.2	3.3	4.6	5.5	6.6
Unit Weight with 10 foot lift	lbs.	198	198	211	219	465	496	498	510
Weight of Chain per additional foot of lift	lbs. / ft.	2.2	2.2	2.2	4	6	8.3	13	12
Chain Size		7x21			9x27	13x36	13x36	16x45	13x36
Number of chain strands		1							2
Air Pressure Trolley Motor	bar	4 - 6							
Air Consumption	cfm	60-75			95	110			
Motor Power Output (Hoist)	kW	1.4				3.2			
	H.P.	1.8				4.2			
Lifting Speed at Full Load	ft./min	88.5	64.0	22.0	29.0	15.0	12.0	8.5	7.5
Lifting Speed without Load		121.0	121.0	36.0	43.0	19.0	16.0	18.0	10.0
Lowering Speed with Full Load		82.0	82.0	29.5	29.5	20.0	19.0	16.0	10.0
Traveling Speed	ft./min	19				39			
Air Hose Connection		3/4"							
Air Hose Dimension		3/4"							
Traversing I-Beam Width	inch	3.3 - 12.2				1.3 - 4.9			
Maximum Bottom Flange Thickness	inch	0.98				1.3			
Noise Level at Motorized Trolley	dB(A)	84							

* Increased speed conversion kits are available

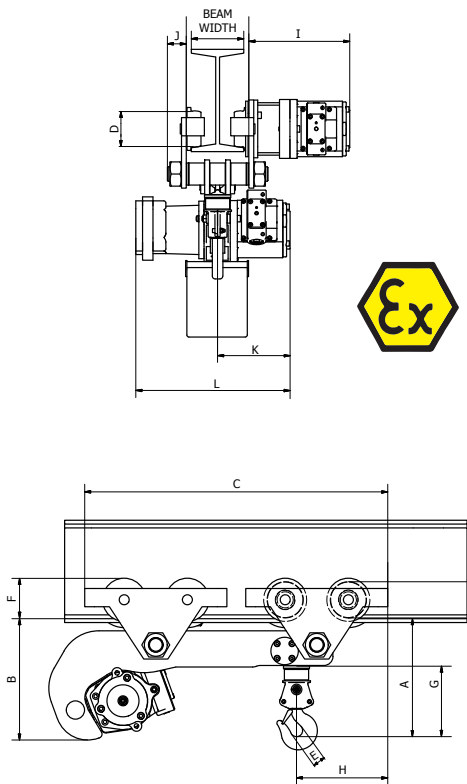


Standard Features:

- Standard Hoists are Atex approved, EX II 2 GD IIC T4 (X) / EX II 2 GD IIB T4 (X) / EX II 2 GD IIC T4 (X)
- Copper platings and stainless steel components can be offered for increased spark resistance
- Rust free & replaceable Stainless steel cylinder
- 100% Duty cycle
- Ideal for working in hazardous areas (Explosive environments)
- Temperature Rated -4°F to 158°F
- Insensitive to dust and humidity
- High Grade carbon steel swivel hooks with safety catches.
- Galvanized Grade 80 Load chain made to EN818 standard - 5:1 Design factor of safety
- Automatic self-adjusting multi disc brake 125% WLL.
- Tried and tested slip clutch design load limiting device set 130% WLL.
- Compact design and Lowest headroom in class.
- Anti-climb and Anti-drop devices standard.
- Pilot Pendant control with Emergency shut-off valve
- Compliant with ASME B30-11 and B30-16

Options:

- Marine Spec - Nickel coated and marine paint
- Corrosion resistance: special paints
- Chain containers



DIMENSIONS - ATS ULTRA LOW PROFILE 0.25ton - 6ton

		ATSUL-050	ATSUL-1	ATSUL-2	ATSUL-3	ATSUL-4.2	ATSUL-5	ATSUL-6
A	mm	267	267	270	345	376	433	522
	inch	10.5	10.5	10.6	13.6	14.8	17.0	20.6
B	mm	305	305	301	280	280	280	280
	inch	12.0	12.0	11.85	11.0	11.0	11.0	11.0
C	mm	680	680	680	845	845	845	845
	inch	26.8	26.8	26.8	33.3	33.3	33.3	33.3
D	mm	90	90	90	109	109	109	109
	inch	3.5	3.5	3.5	4.3	4.3	4.3	4.3
E	mm	23	23	23	30	30	40	40
	inch	0.9	0.9	0.9	1.2	1.2	1.6	1.6
F	mm	122	122	122	154	154	154	154
	inch	4.8	4.8	4.8	6.1	6.1	6.1	6.1
G	mm	145	145	148	230	230	268	357
	inch	5.7	5.7	5.8	9.1	9.1	10.6	14.1
H	mm	207	207	207	168	168	168	168
	inch	8.1	8.1	8.1	6.6	6.6	6.6	6.6
I	mm	254	254	254	272	272	272	272
	inch	10.0	10.0	10.0	10.7	10.7	10.7	10.7
J	mm	58	58	58	73	73	73	73
	inch	2.3	2.3	2.3	2.9	2.9	2.9	2.9
K	mm	176	176	176	266	266	271	266
	inch	6.9	6.9	6.9	10.5	10.5	10.7	10.5
L	mm	276	276	276	451	482	482	451
	inch	10.9	10.9	10.9	17.8	19.0	19.0	17.8

