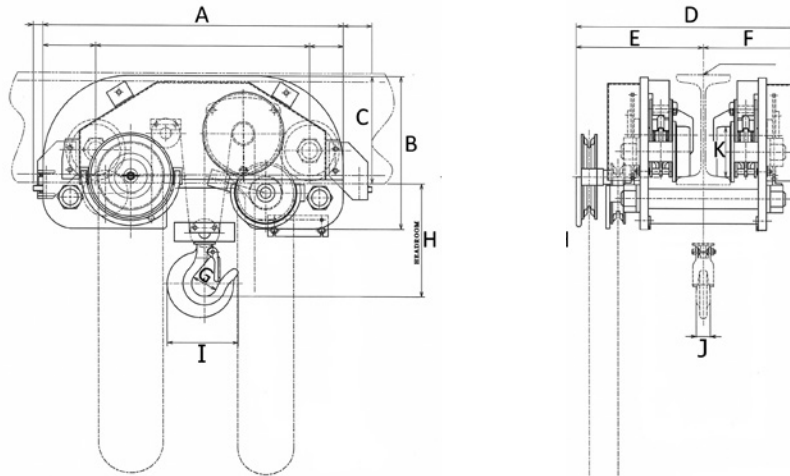




## SHG ULTRA LOW PROFILE TROLLEY HOIST 0.5t~20t

- Combination hoist and trolley offer ultra-low headroom
- 0.5t ~ 20 ton capacity
- Load chain & hand chain is corrosion resistant
- Special production, specific to your application
- Wheels of the unit fit both I-beams and H- beams
- With anti-drop plates
- With overload protection safety device





**SPECIFICATIONS - SHG LOW PROFILE TROLLEY HOIST**

| Model   | Capacity (metric ton) | Test load (metric ton) | Standard Lift (ft) | Dia. of Load Chain (mm) X Falls | Hand Effort to Lift (lbf) | Hand Effort to Traverse (lbf) | Headroom Dim. H (in) | I Beam Width Dim. W (in)      |
|---------|-----------------------|------------------------|--------------------|---------------------------------|---------------------------|-------------------------------|----------------------|-------------------------------|
| SHG-0.5 | 0.5                   | 750kg                  | 8                  | 5x4                             | 55                        | 11                            | 5.15                 | Manufactured to Specification |
| SHG-1   | 1                     | 1.5                    | 8                  | 5x4                             | 62                        | 11                            | 6.10                 |                               |
| SHG-1.6 | 1.6                   | 2.4                    | 8                  | 5x4                             | 84                        | 9                             | 7.08                 |                               |
| SHG-2   | 2                     | 3                      | 10                 | 7.1x2                           | 82                        | 12                            | 7.08                 |                               |
| SHG-3.1 | 3.15                  | 4.8                    | 10                 | 7.1x4                           | 84                        | 18                            | 7.91                 |                               |
| SHG-5   | 5                     | 7.5                    | 10                 | 7.1x4                           | 84                        | 25                            | 8.85                 |                               |
| SHG-10  | 10                    | 12.5                   | 10                 | 9x4                             | 88                        | 60                            | 10.23                |                               |
| SHG-10B | 10                    | 12.5                   | 10                 | 9X4                             | 88                        | 60                            | 11.40                |                               |
| SHG-20  | 20                    | 25                     | 10                 | 9x8                             | 110                       | 88                            | 15.75                |                               |

**DIMENSIONS (IN.) - SHG LOW PROFILE TROLLEY HOIST**

| Model   | A    | B    | C    | D    | E    | F    | G   | I    | J   | K   | Unit Weight (lbs) with 10' Lift |
|---------|------|------|------|------|------|------|-----|------|-----|-----|---------------------------------|
| SHG-0.5 | 26.8 | 11.0 | 7.0  | 19.6 | 11.4 | 8.2  | 1.6 | 7.2  | 0.5 | 3.2 | 132                             |
| SHG-1   | 26.8 | 11.0 | 7.0  | 19.6 | 11.4 | 8.2  | 1.9 | 3.9  | 0.7 | 3.2 | 135                             |
| SHG-1.6 | 26.8 | 11.0 | 7.1  | 19.6 | 11.4 | 8.2  | 2.6 | 5.4  | 1.0 | 3.9 | 154                             |
| SHG-2   | 26.8 | 11.0 | 7.1  | 19.6 | 11.4 | 8.2  | 2.6 | 5.4  | 1.0 | 3.9 | 154                             |
| SHG-3.1 | 30.5 | 13.7 | 8.9  | 20.3 | 11.6 | 8.7  | 2.4 | 6.5  | 1.2 | 4.5 | 331                             |
| SHG-5   | 32.7 | 13.7 | 8.9  | 21.5 | 12.0 | 9.4  | 2.8 | 6.1  | 1.4 | 4.9 | 551                             |
| SHG-10  | 36.9 | 16.5 | 11.0 | 22.6 | 12.7 | 9.9  | 3.3 | 9.0  | 1.8 | 6.2 | 772                             |
| SHG-20  | 45.2 | 19.6 | 13.1 | 24.2 | 13.5 | 10.7 | 4.4 | 12.1 | 2.7 | 7.8 | 1874                            |

