



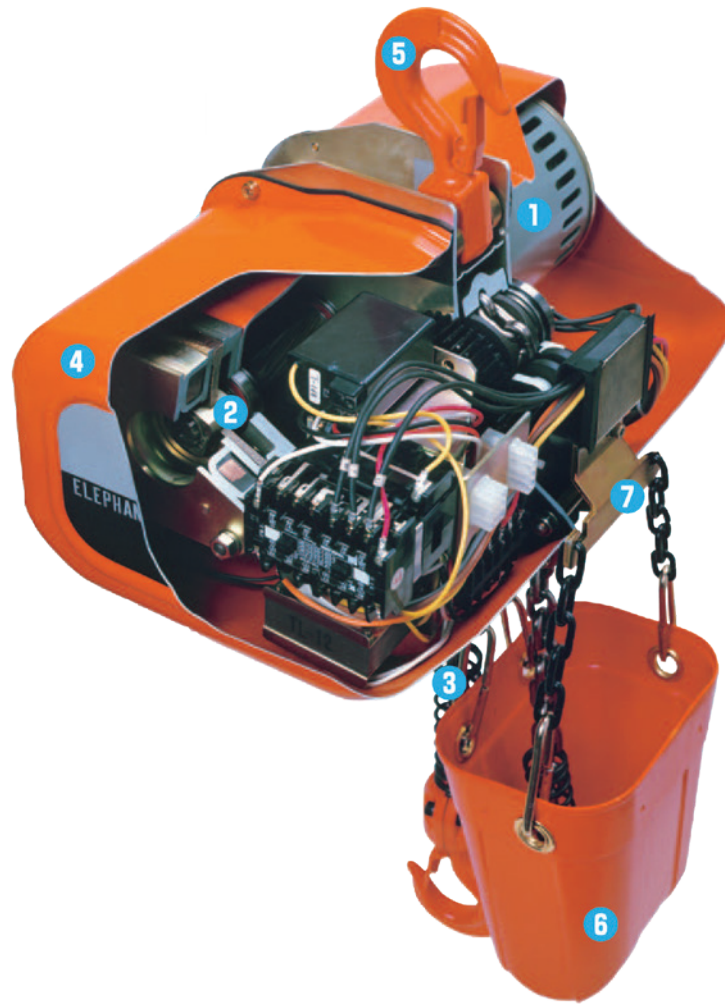
ELECTRIC CHAIN HOIST FA TYPE 1 SPEED, 3 PHASE DUAL VOLTAGE & FB TYPE 2 SPEED, 3 PHASE SINGLE VOLTAGE

Optional Overload Limit Device for the FA and FB Hoists

Our new Torcon overload protection device is a slip clutch style. In the event of an overload, the device actuates and prevents the hoist from continuing to lift. This mechanism protects the hoist from damage.

- MAS series motorized trolley, three phase, single speed, slower traversing speed, for combination with the FA series electric chain hoists
- MAF series motorized trolley, three phase, single speed, faster traversing speed, for combination with the FA series electric chain hoists
- MB series motorized trolley, three phase, dual speed, for combination with the FA series electric chain hoists
- Trolleys come with pivoting adapter for hook to hook type suspension or lug type suspension

Wiring - Simple Plug-In Type Connection



FEATURES OF FA/FB

1 Tough, Heavy-Duty Motor

Elephant's unique design for a lower power consumption.

	Insulation class	Short time duty
FA	E	30 minutes
FB	E	30 minutes (high speed)
		15 minutes (low speed)

2 Reliable Electro-Magnetic DC Brake The brake safety factor is more than 3 times of the rated load. A safe electromagnetic, power off brake type. The safe 'power off brake' holds a load when electric power is either accidentally lost, or intentionally disconnected.

3 Highly durable load chain manufactured in Japan by Elephant

4 Totally Enclosed Steel Plate Construction

5 Durable top and bottom hooks

Bottom hook with bearing smoothly swivels, 360°. In the event of an overload, the hook gradually elongates. This elongation serves as an indicator to the end user, making them aware of the overload.

6 Chain Bucket Hard plastic

7 Limit switch Standard feature

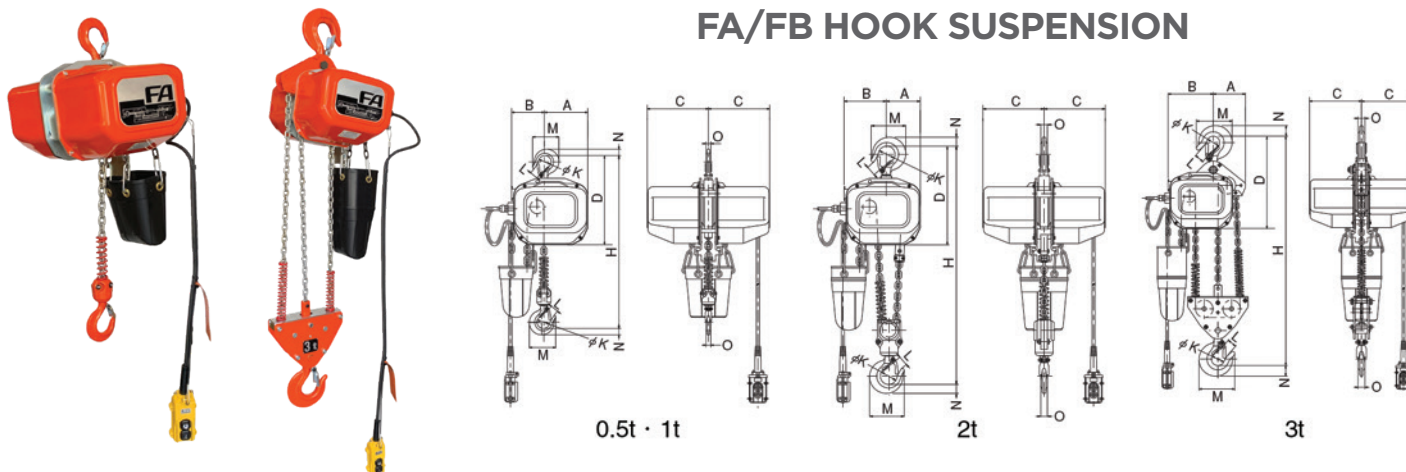
8 Ratings JIS/ISO M4, FEM 1AM, ASME H3 Motor, IP54 Hoist Protection, IP65 NEMA 4X Pendant Protection

9 Temperature Range -10° to 40° C, 14° to 104° F

10 CSA Compliant Hoist available upon request, excludes motorized trolley



FA/FB HOOK SUSPENSION



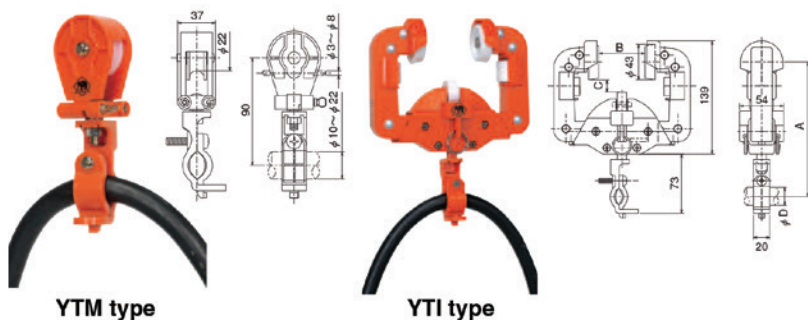
SPECIFICATIONS - FA/FB TYPE HOOK SUSPENSION

Model	W.L.L. (lbs)	W.L.L. (mt)	Test Load (mt)	Standard Lift (ft)	Standard Push Button Cord Length (ft)	Load Chain Dia. X Number of Falls	Lifting Motor Output (H.P.), (FB) High: Low Speed	Lifting Spd. (ft/min) (FB) High:Low speed		Min. Distance H (in)	Net Weight (lbs)
								50Hz	60Hz		
FA-0.5	1100	0.5	0.625	10	8	6.3 x 1	1.22	23	27.5	21.85	95
FA-1	2200	1	1.25	10	8	7.1 x 1	2.18	20	24.5	23.23	123
FA-2	4400	2	2.5	10	8	7.1 x 2	2.18	10	12.5	29.33	141
FA-3	6600	3	3.75	10	8	7.1 x 3	2.18	7	8	33.07	183
FA-5	11000	5	6.25	10	8	7.1 x 5	2.18	4.1	4.8	38.2	246
FB-0.5	1100	0.5	0.625	10	8	6.3 x 1	1.22 : 0.34	23 / 6	27.5 / 7	21.85	97
FB-1	2200	1	1.25	10	8	7.1 x 1	2.18 : 0.54	21 / 5	24.6 / 6	23.23	126
FB-2	4400	2	2.5	10	8	7.1 x 2	2.18 : 0.54	10 / 1.6	12.5 / 3	29.33	143
FB-3	6600	3	3.75	10	8	7.1 x 3	2.18 : 0.54	7 / 1.6	8 / 2	33.07	185
FB-5	11000	5	6.25	10	8	7.1 x 5	2.18 : 0.54	4.1	4.8/1.2	38.2	246

DIMENSIONS (IN.) - FA/FB TYPE HOOK SUSPENSION

W.L.L. (lbs)	W.L.L. (mt)	A	B	C	D	K	L	M	N	O
1100	0.5	6.34	4.88	8.82	12.46	1.69	1.04	3.31	0.75	0.55
2200	1	6.69	5.04	9.41	13.74	1.97	1.22	4.09	0.98	0.75
4400	2	5.24	6.5	9.41	15.22	2.56	1.5	5.33	1.38	1.02
6600	3	5.83	8.19	9.41	16.81	2.36	1.69	6.5	1.93	1.26
11000	5	7.2	10.74	9.4	19.2	2.76	1.85	6.7	2.08	1.38

CABLE HANGER



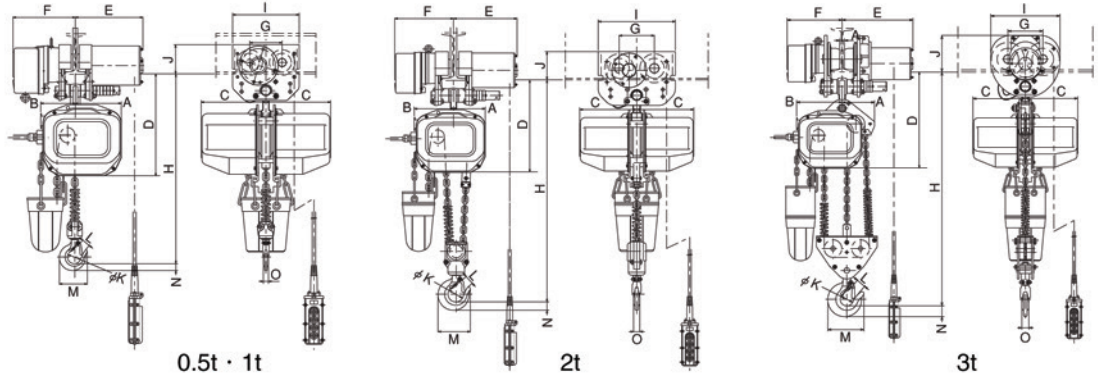
DIMENSIONS (IN.) - CABLE HANGER

Model	I-Beam Width	A	B	C	D (Cable Dia.)
YTI-100	2.95	6.54	1.26	0.59	0.39 - 0.87
	3.94	6.54	2.24	0.59	0.39 - 0.87
YTI-150	4.92	6.54	3.23	0.98	0.39 - 0.87
	5.91	6.54	4.21	0.98	0.39 - 0.87





FAMB/FBMB 1 SPEED & 2 SPEED HOIST, WITH 1 SPEED MOTORIZED TROLLEY



SPECIFICATIONS - FAM/FBM 1 SPEED & 2 SPEED HOIST, 1 SPEED & 2 SPEED MOTORIZED TROLLEY

Model	W.L.L. (lbs)	W.L.L. (mt)	Standard Lift (ft)	Lifting Speed (ft/min) (FB) High:Low Speed		Traversing Motor Output (H.P.)	Traversing Speed (ft/min)		Min. Distance H (in) Hook : Lug	Traversing I-beam Width	Trolley Min. Radius (in)	Net Weight (lbs)
				50Hz	60Hz		50Hz/60Hz	50Hz/60Hz				
FAM-0.5	1100	0.5	10	23	27.5	0.54	65 / 78 MAF type	32 / 39 MAS type	27.36 (23.62)	2.95-5.91	43.31	163
FAM-1	2200	1	10	20	24.5				28.74 (24.61)			
FAM-2	4400	2	10	10	12.5				35.83 (29.53)			
FAM-3	6600	3	10	7	8				40.16 (33.86)			
FAM-5	11000	5	10	*	4.8				38.8			
FBM-0.5	1100	0.5	10	23 / 6	27.5 / 7	0.54	65 / 78 MAF type	32 / 20 MAS type	27.36 (23.62)	2.95-5.91	43.31	165
FBM-1	2200	1	10	21 / 5	24.6 / 6				28.74 (24.61)			
FBM-2	4400	2	10	10 / 1.6	12.5 / 3				35.83 (29.53)			
FBM-3	6600	3	10	7 / 1.6	8 / 2				40.16 (33.86)			
FBM-5	11000	5	10	*	4.8 / 1.2				38.8			

DIMENSIONS (IN.) - FAM/FBM 1 SPEED & 2 SPEED HOIST, 1 SPEED & 2 SPEED MOTORIZED TROLLEY

W.L.L. (lbs)	W.L.L. (mt)	A	B	C	*D	*E	*F	G	I	*J	K	L	M	N	O	P (dia. of wheel)
1100	0.5	6.34	4.88	8.82	17.97	9.88 (10.94)	8.6	4.72	9.69	4.49	1.69	1.04	3.31	0.75	0.55	2.68
2200	1	6.69	5.04	9.41	19.25	9.88 (10.94)	8.6	4.72	9.69	4.49	1.97	1.22	4.06	0.98	0.75	2.68
4400	2	5.24	6.5	9.41	21.65	10.51 (11.57)	9.72	5.83	12.76	5.39	2.56	1.5	5.33	1.38	1.02	3.29
6600	3	5.83	8.19	9.41	22.91	12.76 (15.75)	9.92	6.3	12.44	7.13	2.36	1.69	6.5	1.93	1.26	3.86
11000	5	7.2	10.74	9.4	19.9	16.5	10.62	6.7	13.2	6.77	2.76	1.77	6.7	2.08	1.38	3.9

FAMB/FBMB 1 SPEED & 2 SPEED HOIST, WITH 2 SPEED MOTORIZED TROLLEY

SPECIFICATIONS - FAMB/FBMB 1 SPEED & 2 SPEED HOIST, 2 SPEED MOTORIZED TROLLEY

Model	W.L.L. (lbs)	W.L.L. (mt)	Standard Lift (ft)	Lifting Speed (ft/min) (FB) High:Low Speed		Traversing Motor Output (H.P.)	Traversing Speed (ft/min)		Min. Distance H (in) Hook : Lug	Traversing I-beam Width	Trolley Min. Radius (in)	Net Weight (lbs)
				50Hz	60Hz		50Hz	60Hz				
FAMB-0.5	1100	0.5	10	23	27.5	0.54	[16] [65] MB type	[19] [78] MB type	27.36 (23.62)	2.95-5.91	43.31	163
FAMB-1	2200	1	10	20	24.5				28.74 (24.61)			
FAMB-2	4400	2	10	10	12.5				35.83 (29.53)			
FAMB-3	6600	3	10	7	8				40.16 (33.86)			
FAMB-5	11000	5	10	*	4.8				38.8			
FBMB-0.5	1100	0.5	10	23 / 6	27.5 / 7	1.54	[16] [65] MB type	[19] [78] MB type	27.36 (23.62)	2.95-5.91	43.31	165
FBMB-1	2200	1	10	21 / 5	24.6 / 6				28.74 (24.61)			
FBMB-2	4400	2	10	10 / 1.6	12.5 / 3				35.83 (29.53)			
FBMB-3	6600	3	10	7 / 1.6	8 / 2				40.16 (33.86)			
FBMB-5	11000	5	10	*	4.8 / 1.2				38.8			

DIMENSIONS (IN.) - FAMB/FBMB 1 SPEED & 2 SPEED HOIST, 2 SPEED MOTORIZED TROLLEY

W.L.L. (lbs)	W.L.L. (mt)	A	B	C	*D	*E	*F	G	I	*J	K	L	M	N	O	P (dia. of wheel)
1100	0.5	6.34	4.88	8.82	17.97	9.88 (10.94)	8.6	4.72	9.69	4.49	1.69	1.04	3.31	0.75	0.55	2.68
2200	1	6.69	5.04	9.41	19.25	9.88 (10.94)	8.6	4.72	9.69	4.49	1.97	1.22	4.06	0.98	0.75	2.68
4400	2	5.24	6.5	9.41	21.65	10.51 (11.57)	9.72	5.83	12.76	5.39	2.56	1.5	5.33	1.38	1.02	3.29
6600	3	5.83	8.19	9.41	22.91	12.76 (15.75)	9.92	6.3	12.44	7.13	2.36	1.69	6.5	1.93	1.26	3.86
11000	5	7.2	10.74	9.4	19.9	16.5	10.62	6.7	13.2	6.77	2.76	1.77	6.7	2.08	1.38	3.9

* Contact the Factory for Additional Information

