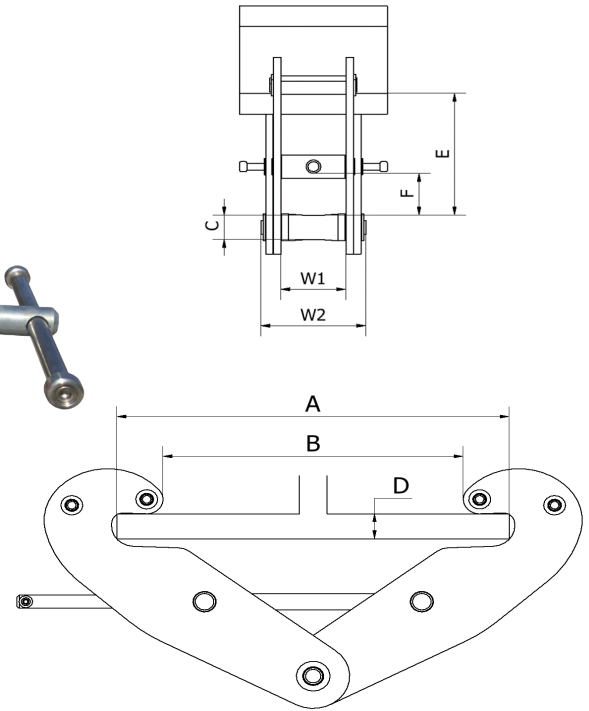




# GRIPPA GIRDER CLAMPS



## SPECIFICATIONS & DIMENSIONS - GRIPPA GIRDER CLAMP PREMIUM INDUSTRIAL OPTION

MODEL	S.W.L. (kg)	S.W.L. (lbs)	APERTURE (in.)		WIDTH (in.)		"C" (in.)	WEIGHT (lbs)	"D" Beam Aperture (in)	"E" (in)	"F" (in)
			"A"	"B" MAX	W1	W2					
GS-2	2000	4400	2.9-9.8	9.8	2.5	3.9	0.87	10	0.7	4.02-5.56	1.20-2.38
GS-3	3000	6600	3.3-11.8	11.8	2.8	4.7	1	17.5	0.9	4.99-6.81	1.62-3.03
GS-5	5000	11000	4.7-16.9	16.9	3.3	5.6	1.3	36	1.2	7.24-9.79	2.63-4.62
GS-10	10000	22000	7.8-17.7	17.7	4.1	7.3	1.8	73	2.3	8.17-10.57	2.59-4.31
GS-20	20000	44000	7.8-18.9	18.9	4.7	9.3	2.4	141	2.7	9.16-11.42	3.40-5.24
GS-32	32000	70500	9.0-30.0	30	9	14.4	3.4	313	3.1	13.4-17.77	6.13-10.4
GS-32-36 inch	32000	70500	9.0-36.0	36.3	9	14.4	3.4	341	3.1	15.6-21.3	6.00-9.00

\*GS Model Units are Standard Stock

## SPECS & DIMS. GRIPPA GIRDER CLAMP - CORROSION RESISTANT, SPARK RESISTANT, 100% STAINLESS STEEL CONSTRUCTION

MODEL	S.W.L. (kg)	S.W.L. (lbs)	APERTURE (in.)		WIDTH (in.)		"C" (in.)	WEIGHT (lbs)	"D" Beam Aperture (in)	"E" (in)	"F" (in)
			"A"	"B" MAX	W1	W2					
GS-2-SS	2000	4400	2.9-9.8	9.8	2.5	3.9	0.87	10	0.7	4.02-5.56	1.20-2.38
GS-3-SS	3000	6600	3.3-11.8	11.8	2.8	4.7	1	17.5	0.9	4.99-6.81	1.62-3.03
GS-5-SS	5000	11000	4.7-16.10	16.9	3.4	5.6	1.4	37	1.2	7.12-9.75	2.47-4.53

\*GS Model Units are Standard Stock

