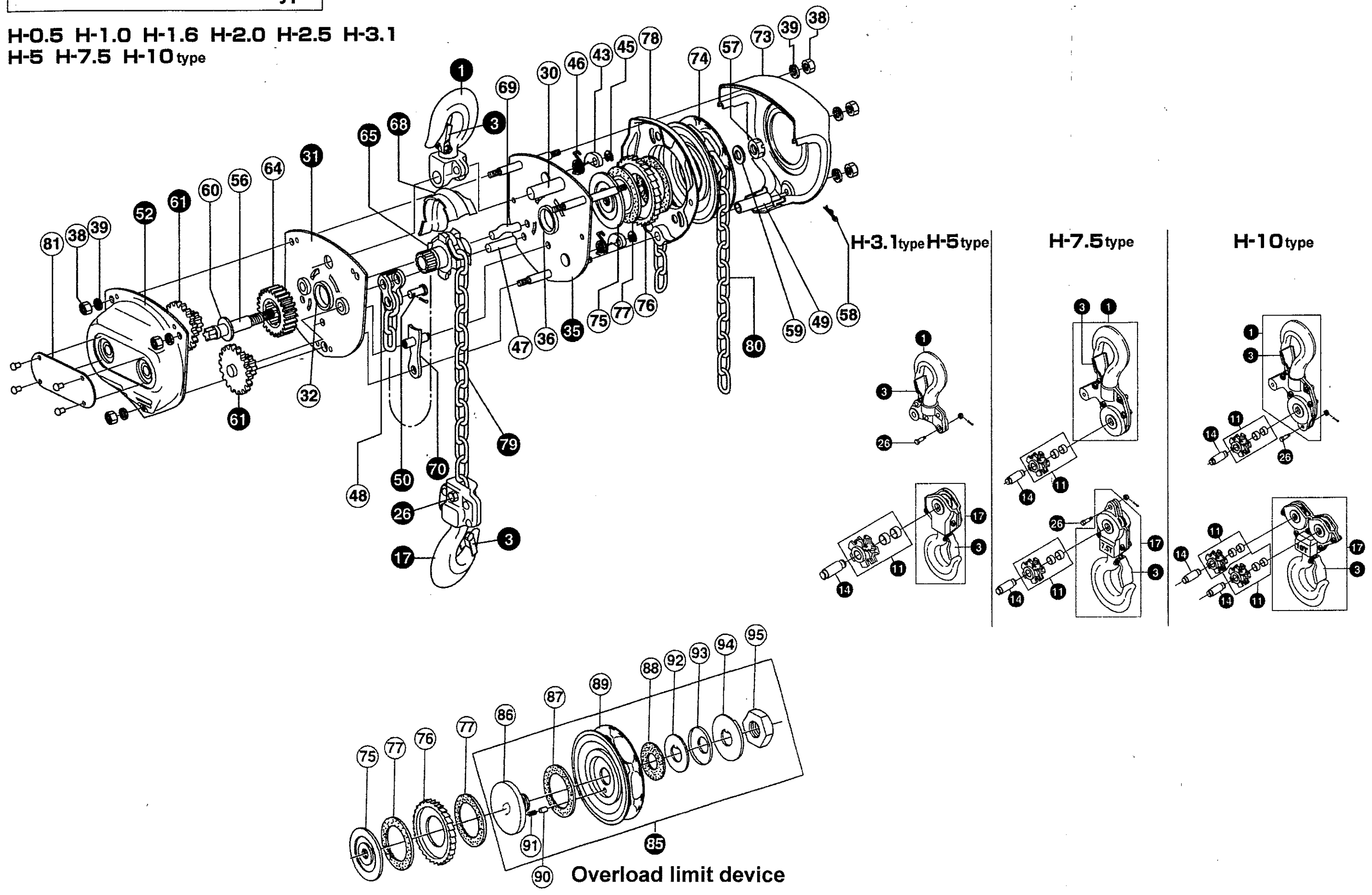


DETAIL DRAWING:H-100 type

H-0.5 H-1.0 H-1.6 H-2.0 H-2.5 H-3.1
H-5 H-7.5 H-10 type

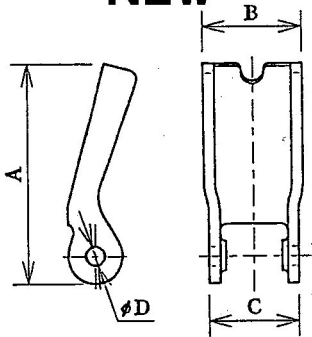


H-100 type Spare Parts List

| Catalog No. | | Parts No. | Parts Name | Q' ty | |
|-------------|-------------|-----------|------------------------|--------------------------|----|
| Set No. | Indvdl. No. | | | | |
| 1 | | H-100 | Top Hook Ass'y. | 1S | |
| | | 3 | Safety Latch Ass'y. | 1S | |
| | | 11 | Idle Sheave Ass'y | 1S | |
| | | 14 | Idle Sheave Pin Ass'y | 1S | |
| | | 26 | Chain Stop Bolt Ass'y | 1S | |
| 17 | | H-600 | Bottom Hook Ass'y. | 1S | |
| | | 3 | Safety Latch Ass'y. | 1S | |
| | | 11 | Idle Sheave Ass'y | 1S(2S) | |
| | | 14 | Idle Sheave Pin Ass'y | 1S(2S) | |
| | | 26 | Chain Stop Bolt Ass'y | 1S | |
| | 30 | H-105 | Top Hook Pin | 1 | |
| 31 | | H-200 | Gear Side Plate Ass'y. | 1S | |
| | | 32 | H-411 | Load Bearing | 1 |
| 35 | | H-220 | Wheel Side Plate Ass'y | 1S | |
| | | 36 | H-411 | Load Bearing | 1 |
| | | 38 | H-206 | Gear Side Nut | 3 |
| | | 38 | H-206 | Wheel Side Nut | 3 |
| | | 39 | H-207 | Gear Side Spring Washer | 3 |
| | | 39 | H-207 | Wheel Side Spring Washer | 3 |
| | | 43 | H-510 | Pawl | 2 |
| | | 45 | H-514 | E-Ring | 2 |
| | | 46 | H-512 | Pawl Spring | 2 |
| | | 47 | H-221 | Anchor Plate Pin | 1 |
| | | 48 | H-225 | Anchor Plate | 1 |
| | 49 | H-216 | Stay Pipe | 1 | |
| 50 | | H-226 | Chain Stop Pin Ass'y | 1S | |
| 52 | | H-335 | Gear Case Ass'y | 1S | |
| | | 81 | H-920 | Name Plate | 1 |
| | | 56 | H-301 | Pinion Shaft | 1 |
| | | 57 | H-308 | Castle Nut | 1 |
| | | 58 | H-312 | R-Pin | 1 |
| | | 59 | H-508 | Check Washer | 1 |
| | | 60 | H-302 | Pinion Shaft Washer | 1 |
| | | 61 | H-315 | 2nd & 3rd Gear Ass'y | 2S |
| | 64 | H-305 | Load Gear | 1 | |
| | 65 | H-400 | Load Sheave Ass'y | 1S | |
| 68 | | H-415 | Chain Guide Ass'y | 1S | |
| | | 69 | H-418 | Chain Guide Pin | 1 |
| 70 | | H-439 | Stripper Ass'y | 1S | |
| | | 73 | H-218 | Wheel Cover | 1 |
| | | 74 | H-501 | Hand Chain Wheel | 1 |
| | | 75 | H-505 | Disc Hub | 1 |
| | | 76 | H-506 | Ratchet Gear | 1 |
| | | 77 | H-507 | Friction Disc | 2 |
| | | 78 | H-513 | Brake Cover | 1 |

| | | | | |
|----|----|----|--------------------------|----|
| | 56 | 15 | Driving Shaft for O.L.D. | 1 |
| | 75 | 14 | Disc Hub for O.L.D. | 1 |
| | 77 | 13 | Friction Disc | 1 |
| | 76 | 12 | Ratchet Gear for O.L.D. | 1 |
| | 77 | 11 | Friction Disc | 1 |
| 85 | | | Overload limit device | 1S |
| | 86 | 10 | Transmitter | 1 |
| | 87 | 7 | Friction Pad B | 1 |
| | 88 | 5 | Friction Pad A | 1 |
| | 89 | 6 | Hand Wheel for O.L.D | 1 |
| | 90 | 8 | Wheel Catcher | 1 |
| | 91 | 9 | Coil Spring | 1 |
| | 92 | 4 | Presser | 1 |
| | 93 | 3 | Coned Disc Spring | 1 |
| | 94 | 2 | Nut Holder Plate | 1 |
| | 95 | 1 | Adjusting Nut | 1 |

NEW



OLD

