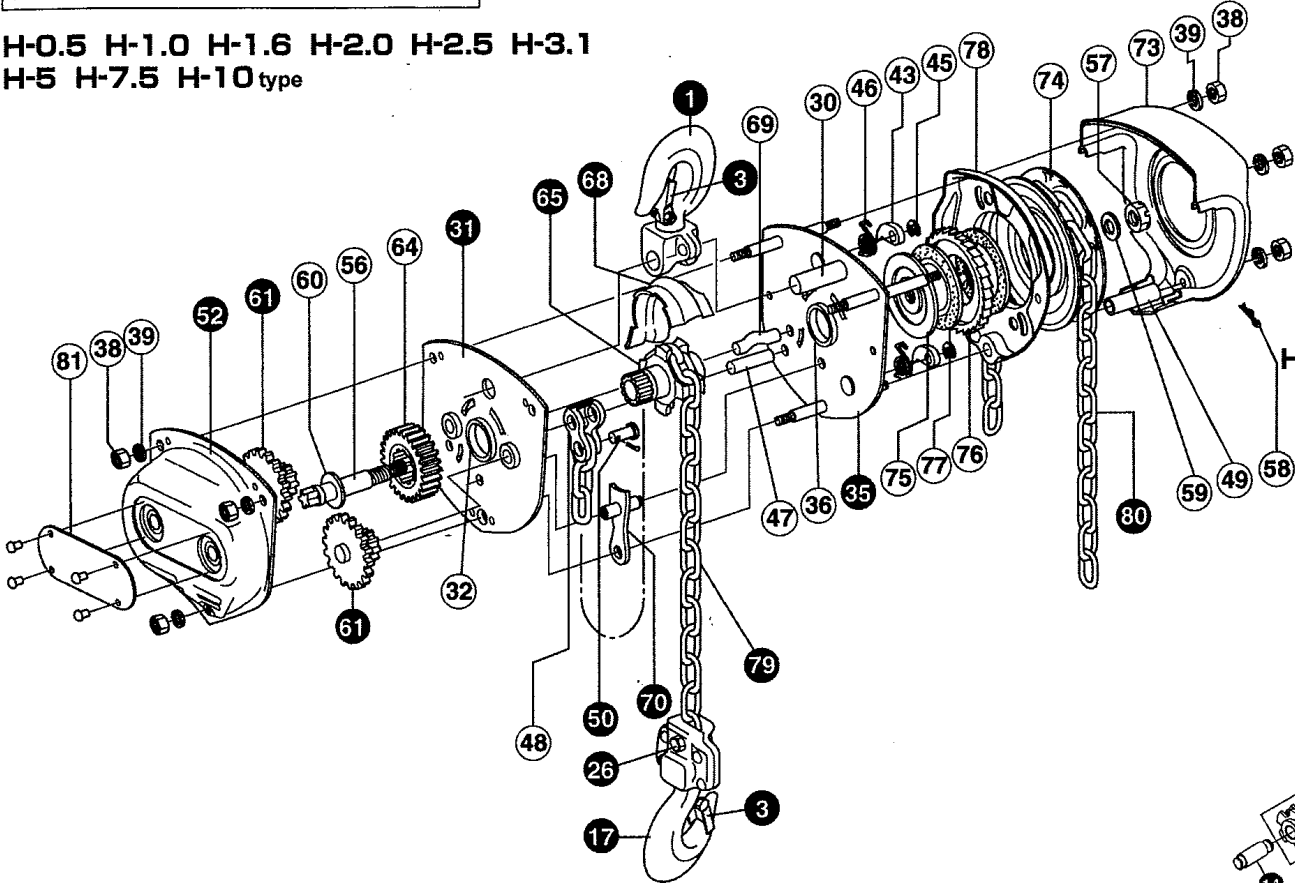


**DETAIL DRAWING:H-100 type**

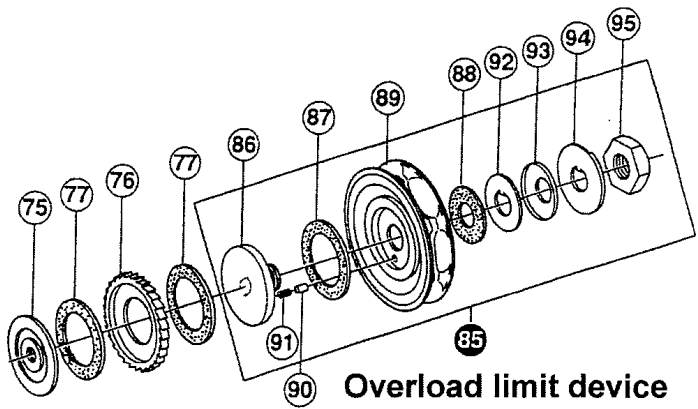
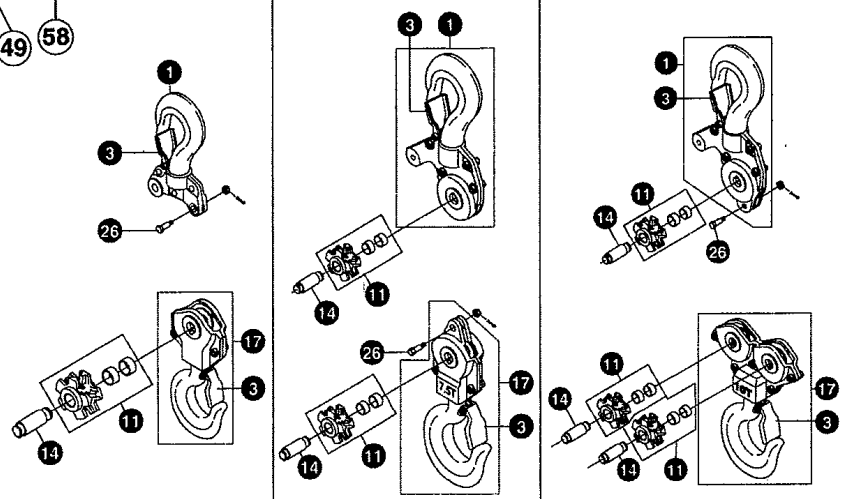
H-0.5 H-1.0 H-1.6 H-2.0 H-2.5 H-3.1  
 H-5 H-7.5 H-10 type



H-3.1 type H-5 type

H-7.5 type

H-10 type



**Overload limit device**

## H-100 type Spare Parts List

Catalog No.		Parts No.	Parts Name	Q' ty	
Set No.	Indvdl. No.				
1		H-100	Top Hook Ass'y.	1S	
		3	Safety Latch Ass'y.	1S	
		11	Idle Sheave Ass'y	1S	
		14	Idle Sheave Pin Ass'y	1S	
		26	Chain Stop Bolt Ass'y	1S	
17		H-600	Bottom Hook Ass'y.	1S	
		3	Safety Latch Ass'y.	1S	
		11	Idle Sheave Ass'y	1S(2S)	
		14	Idle Sheave Pin Ass'y	1S(2S)	
		26	Chain Stop Bolt Ass'y	1S	
	30	H-105	Top Hook Pin	1	
31		H-200	Gear Side Plate Ass'y.	1S	
		32	H-411	Load Bearing	1
35		H-220	Wheel Side Plate Ass'y	1S	
		36	H-411	Load Bearing	1
	38	H-206	Gear Side Nut	3	
	38	H-206	Wheel Side Nut	3	
	39	H-207	Gear Side Spring Washer	3	
	39	H-207	Wheel Side Spring Washer	3	
	43	H-510	Pawl	2	
	45	H-514	E-Ring	2	
	46	H-512	Pawl Spring	2	
	47	H-221	Anchor Plate Pin	1	
	48	H-225	Anchor Plate	1	
	49	H-216	Stay Pipe	1	
50		H-226	Chain Stop Pin Ass'y	1S	
52		H-335	Gear Case Ass'y	1S	
		81	H-920	Name Plate	1
		56	H-301	Pinion Shaft	1
		57	H-308	Castle Nut	1
		58	H-312	R-Pin	1
		59	H-508	Check Washer	1
		60	H-302	Pinion Shaft Washer	1
61		H-315	2nd & 3rd Gear Ass'y	2S	
		64	H-305	Load Gear	1
	65	H-400	Load Sheave Ass'y	1S	
68		H-415	Chain Guide Ass'y	1S	
		69	H-418	Chain Guide Pin	1
70		H-439	Stripper Ass'y	1S	
		73	H-218	Wheel Cover	1
		74	H-501	Hand Chain Wheel	1
		75	H-505	Disc Hub	1
		76	H-506	Ratchet Gear	1
		77	H-507	Friction Disc	2
		78	H-513	Brake Cover	1

	56	15	Driving Shaft for O.L.D.	1
	75	14	Disc Hub for O.L.D.	1
	77	13	Friction Disc	1
	76	12	Ratchet Gear for O.L.D.	1
	77	11	Friction Disc	1
85			Overload limit device	1S
	86	10	Transmitter	1
	87	7	Friction Pad B	1
	88	5	Friction Pad A	1
	89	6	Hand Wheel for O.L.D	1
	90	8	Wheel Catcher	1
	91	9	Coil Spring	1
	92	4	Presser	1
	93	3	Coned Disc Spring	1
	94	2	Nut Holder Plate	1
	95	1	Adjusting Nut	1